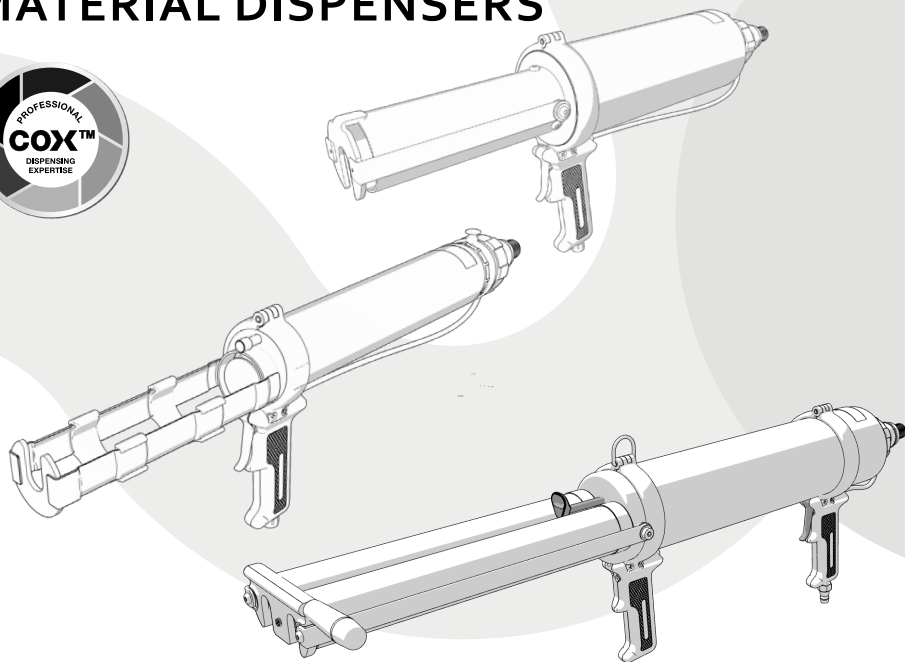


COX™ AIRFLOW™ 1 CCA 380 A/B

COX™ AIRFLOW™ 1 CBA 330 B

COX™ AIRFLOW™ 1 CBA 600 S

MATERIAL DISPENSERS



EN	USER HANDBOOK	AT	BENUTZERHANDBUCH	BG	РЪКОВОДСТВО НА ПОТРЕБИТЕЛЯ
CZ	UŽIVATELSKÁ PŘÍRUČKA	DE	GEBRAUCHSANWEISUNG	DK	BRUGERVEJLEDNING
EE	KASUTUSJUHEND	ES	MANUAL DE USUARIO	FI	KÄYTTÖOPAS
FR	MODE D'EMPLOI	GR	ΕΓΧΕΙΡΙΔΙΟ ΧΡΗΣΗΣ	HR	KORISNIČKI PRIRUČNIK
HU	FELHASZNÁLÓI KÉZIKÖNYV	IT	GUIDA UTENTE	JA	ユーザーマニュアル
LT	NAUDOTOJO VADOVAS	LV	LIETOTĀJA ROKASGRĀMATA	NL	GEBRUIKSAANWIJZING
NO	BRUKERHÅNDBOK	PO	INSTRUKCJA OBSŁUGI	PT	MANUAL DO USUÁRIO
RO	MANUALUL UTILIZATORULUI	SE	BRUKSANVISNING	SI	NAVODILA ZA UPORABO
SK	UŽIVATELSKÁ PŘÍRUČKA	TR	KULLANIM KILAVUZU	ZH	用戶手冊

TABLE OF CONTENTS

LEGEND	PAGE 3
COX™ AIRFLOW™ 1 CCA 380 A & B TECHNICAL DATA	PAGE 4 PAGE 9
COX™ AIRFLOW™ 1 CBA 330 B TECHNICAL DATA	PAGE 10 PAGE 14
COX™ AIRFLOW™ 1 CBA 600 S TECHNICAL DATA	PAGE 15 PAGE 20

Legend

Clean with cloth



Hand crush



Read handbook



Wear safety goggles



Wear safety gloves



Disposal



Warning



Off



On



Decrease flow



Increase flow



Listen



Noise



Anti drip



Empty



Full



Nearly empty



Use screwdriver



Use snips



Use pliers



Push



Not OK



OK



Lock



No lock

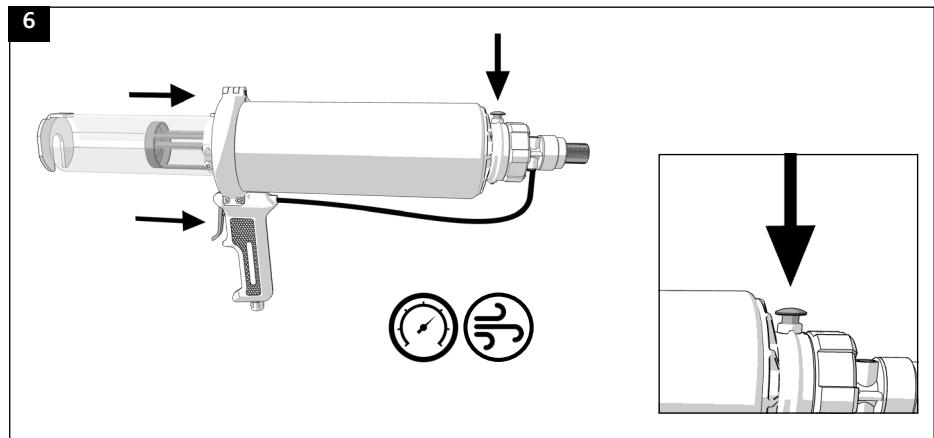
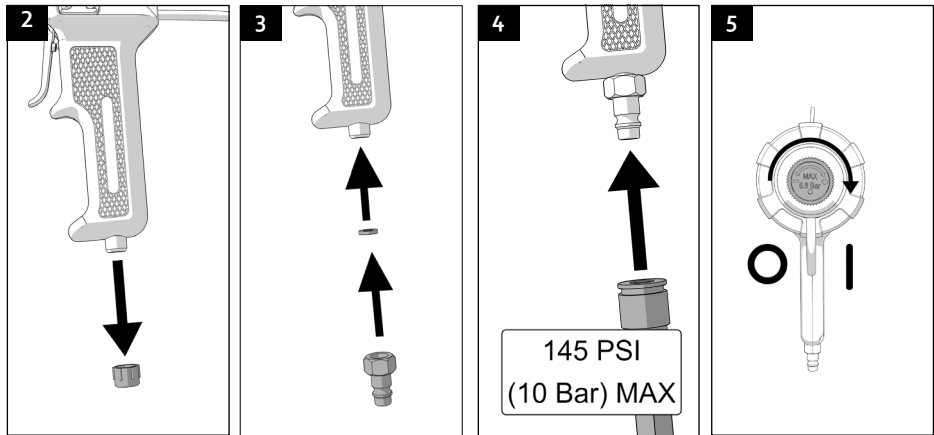
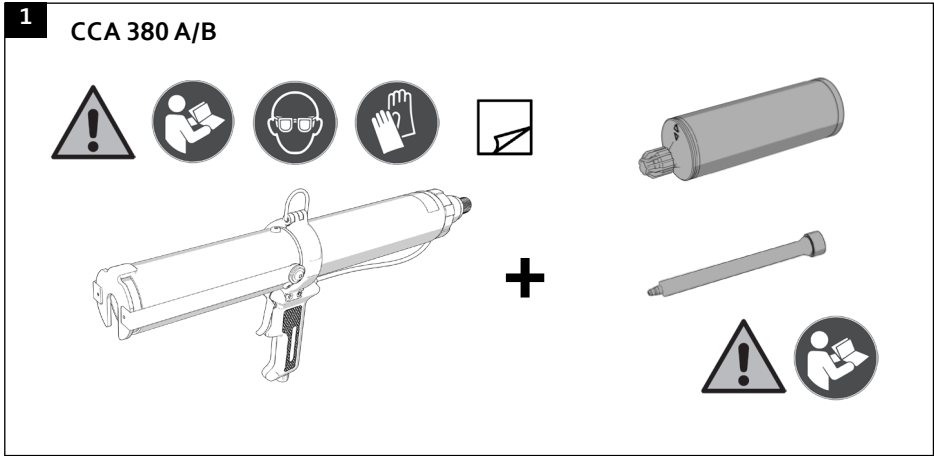


Inspect label,
replace if
necessary

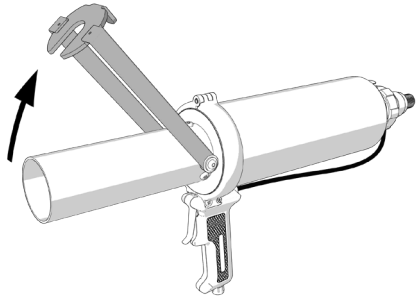


Interruption
of air supply

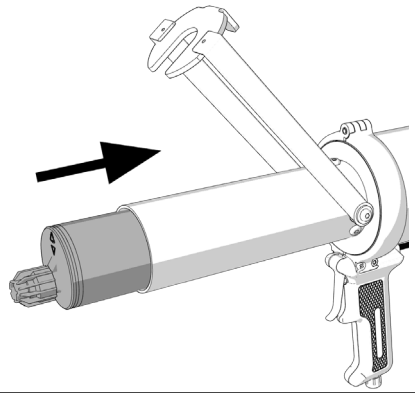




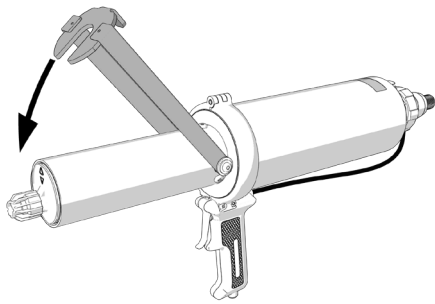
7



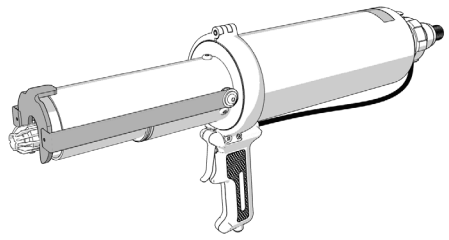
8



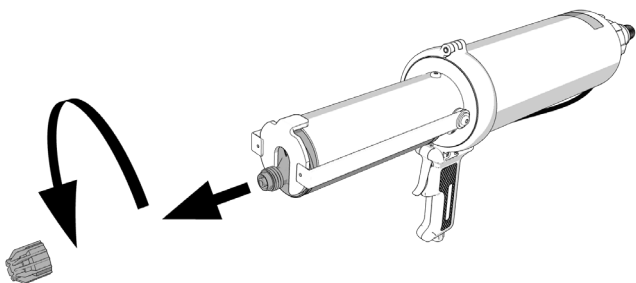
9

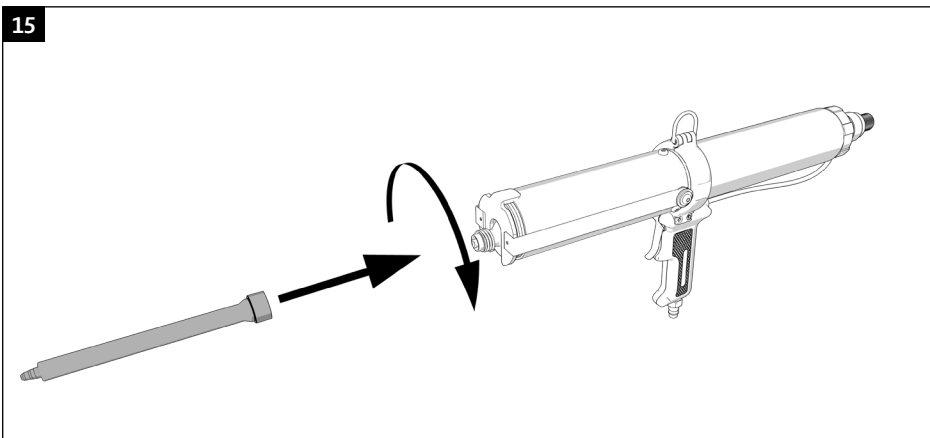
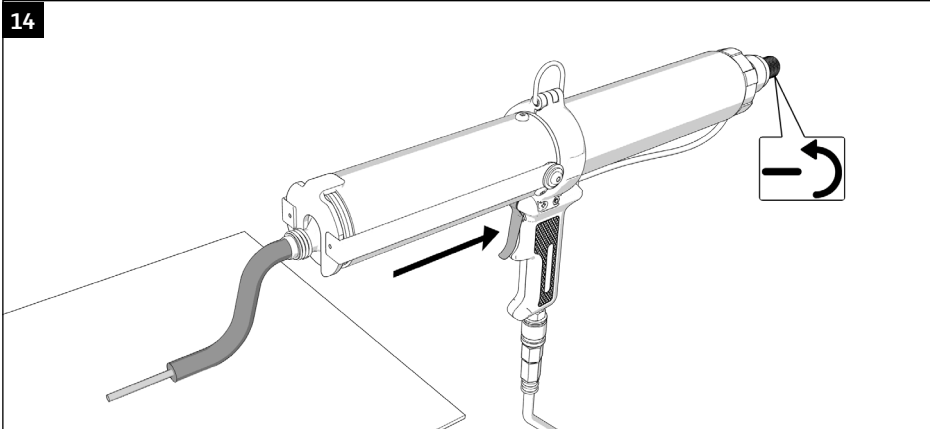
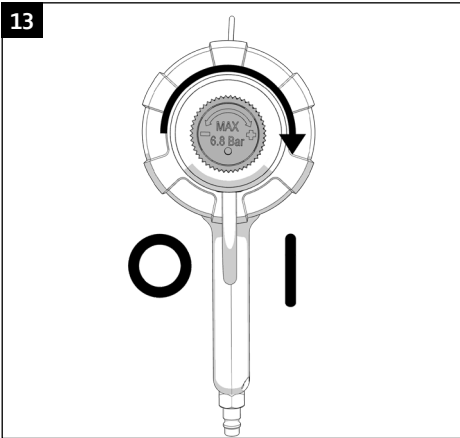
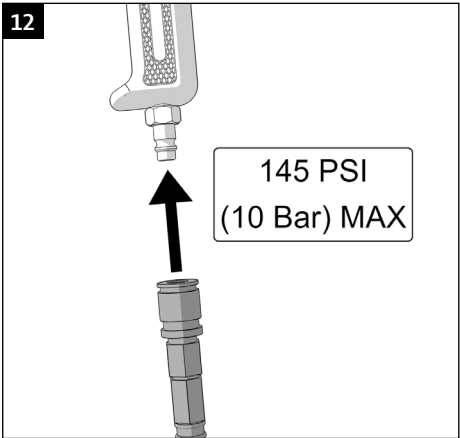


10

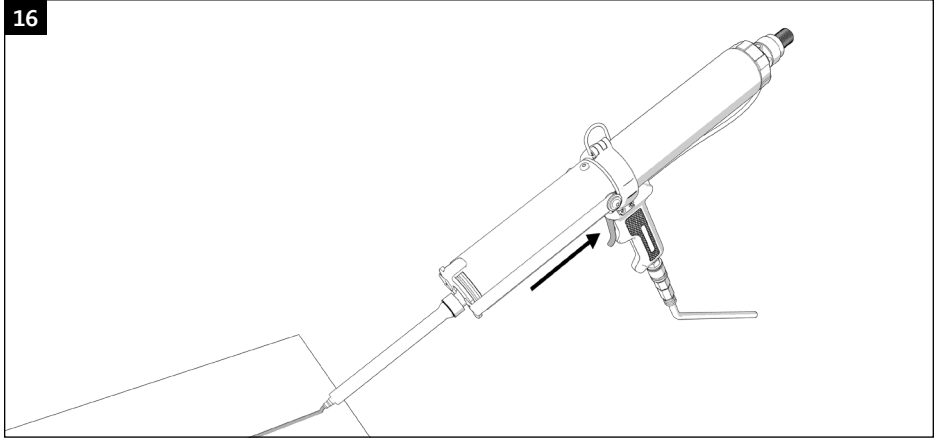


11

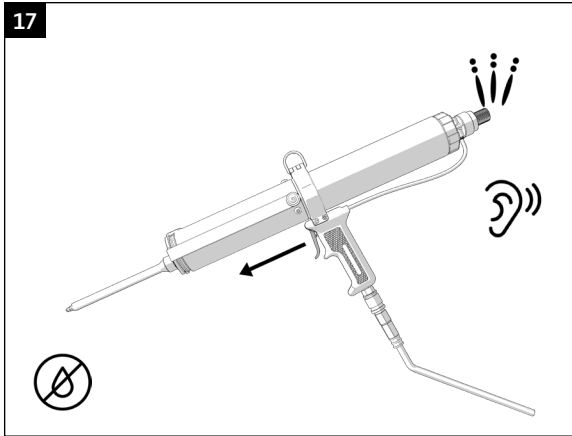




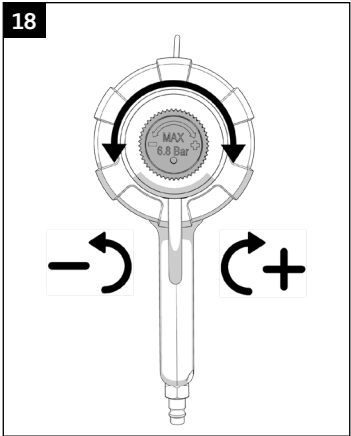
16



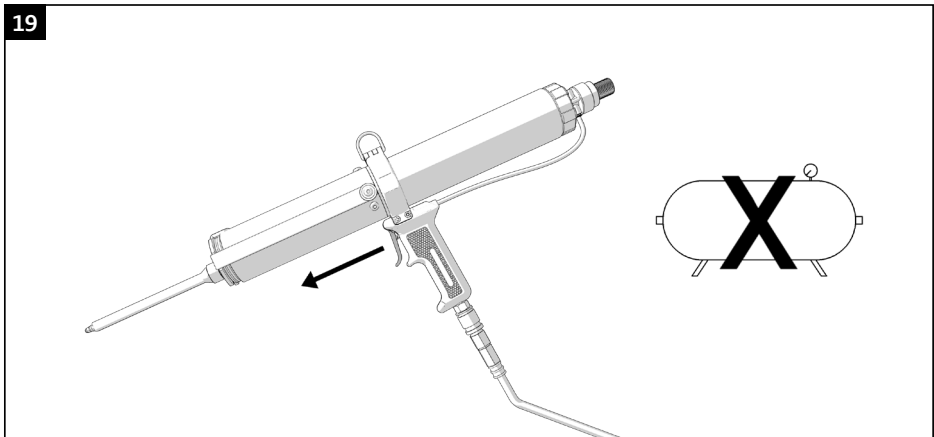
17

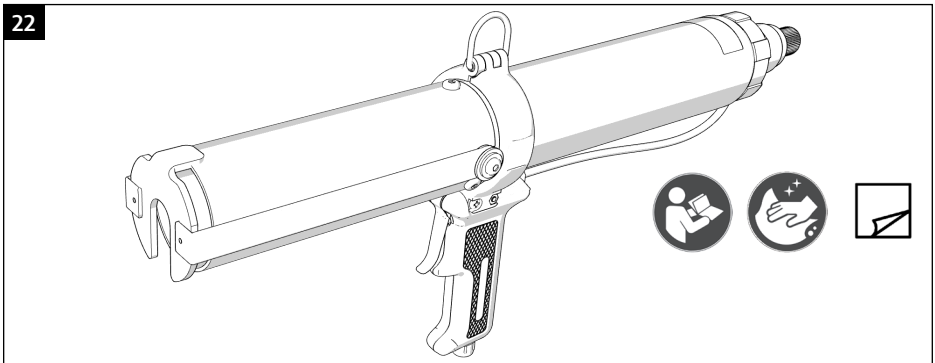
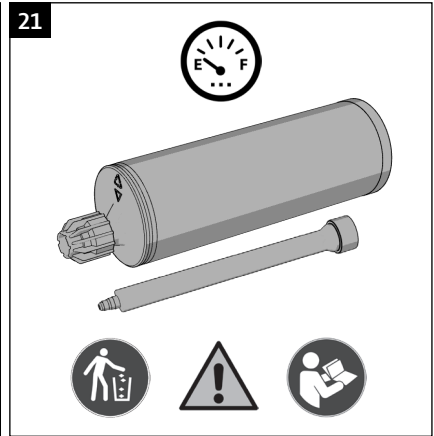
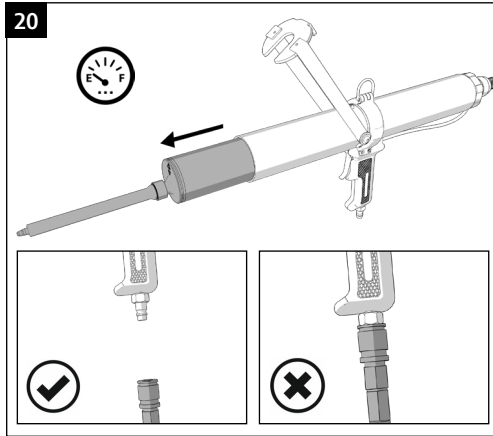


18

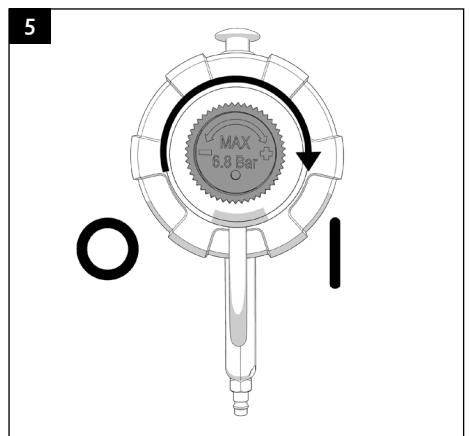
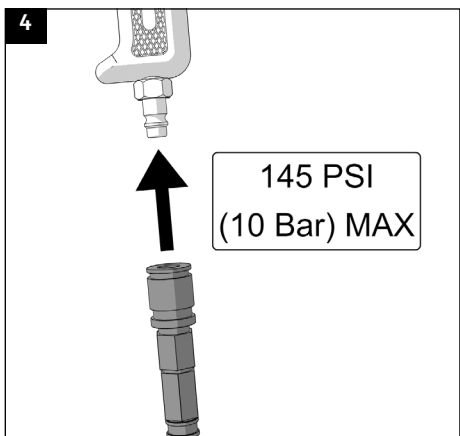
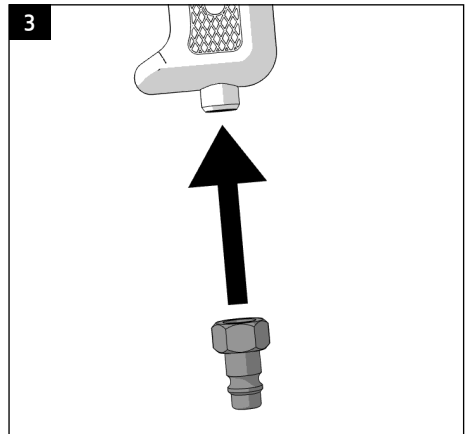
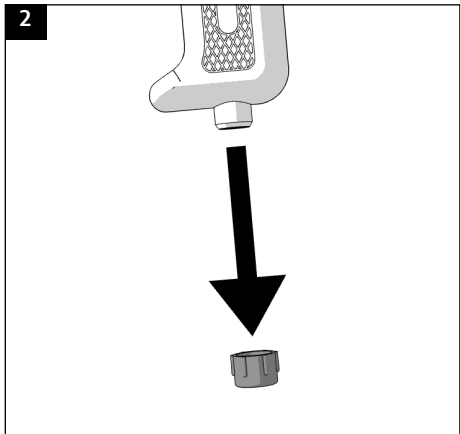
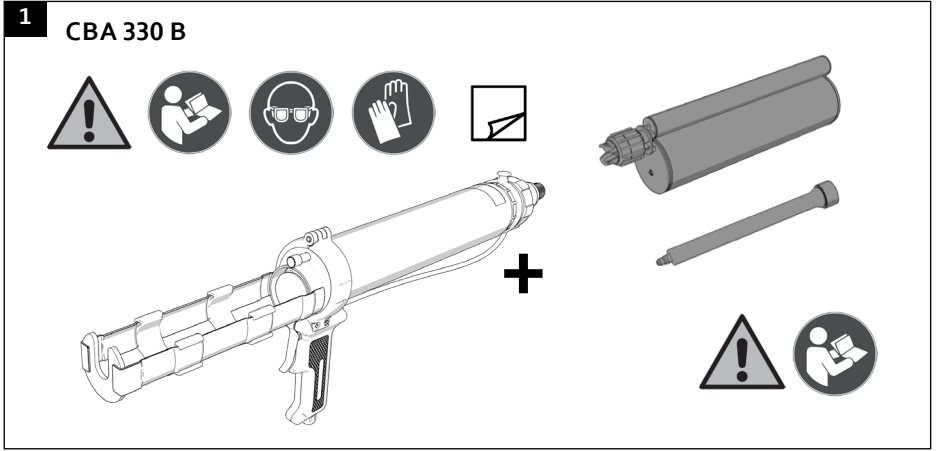


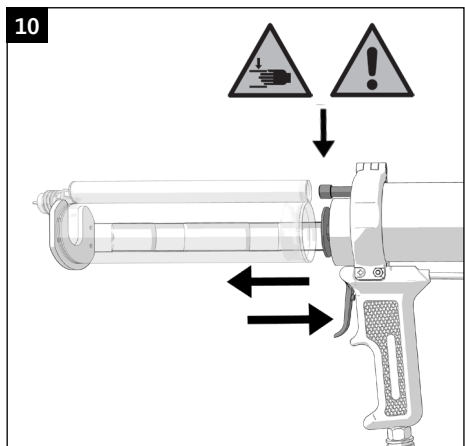
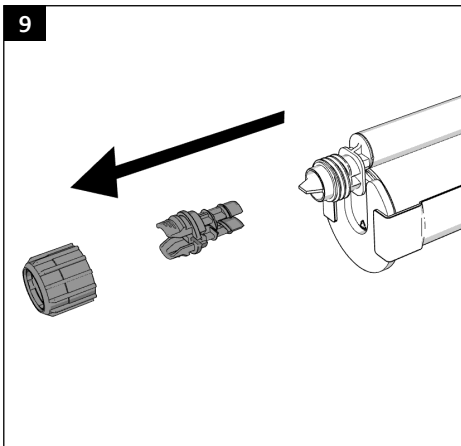
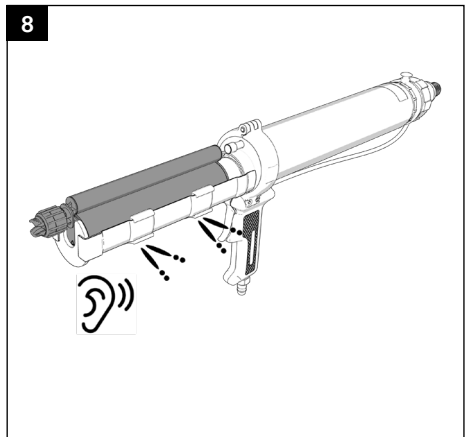
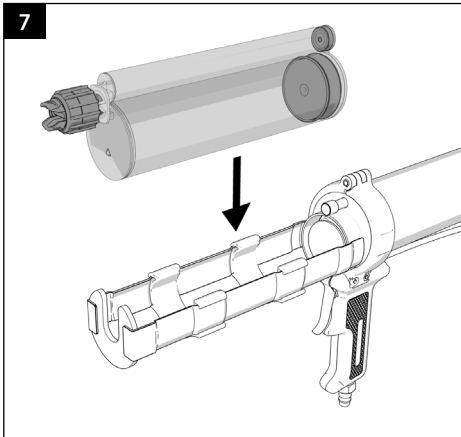
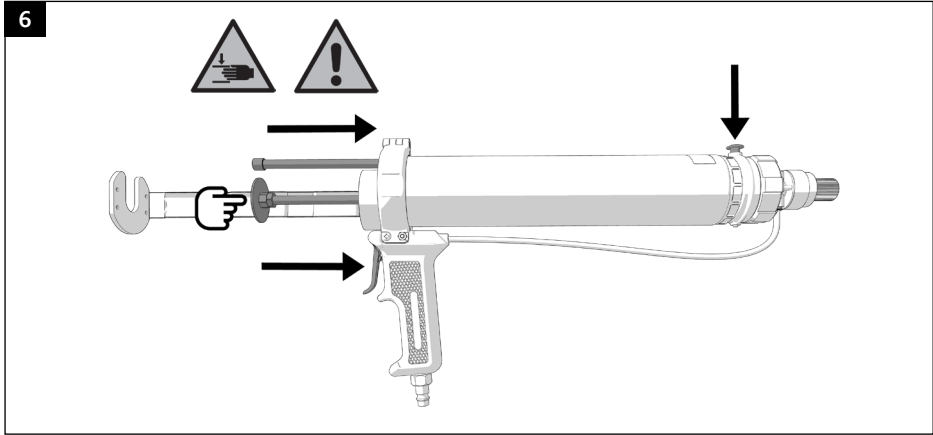
19



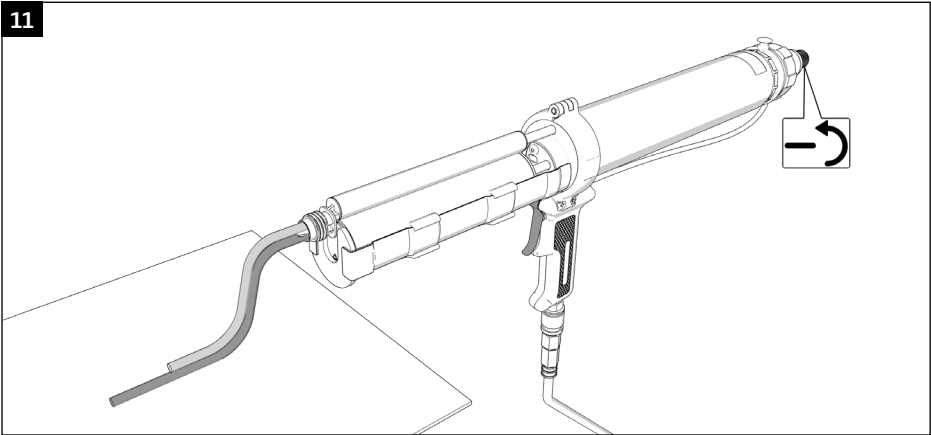


Technical Data		Product(s)	
		Airflow 1 - CCA 380A	Airflow 1 - CCA 380B
Max Air Consumption	CFM	1.41	1.41
Max Operating Pressure	PSI	145	145
	Bar	10	10
Max Supply Pressure	PSI	100	100
	Bar	6.8	6.8
Operating Temperature Range	Min (°C)	+5	+5
	Max (°C)	+40	+40
	Min (°F)	+41	+41
	Max (°F)	+104	+104
Transport/ Storage Temperature Range	Min (°C)	0	0
	Max (°C)	+40	+40
	Min (°F)	+32	+32
	Max (°F)	+104	+104
Relative Air Humidity (non-condensing)	Min (%)	30	30
	Max (%)	80	80
Air Hose Connection	inch	1/4	1/4
Size (Height)	mm	264	229
	inch	10.4	9
Size (Length)	mm	610	539
	inch	24	21.2
Size (Width)	mm	118	94
	inch	4.6	3.7
Weight	kg	2.5	1.93
	lbs	5.5	4.25
Sound Pressure	dB(A)	90	90
	dB(C)	114	117
Vibration	m/s ²	0.334	0.836

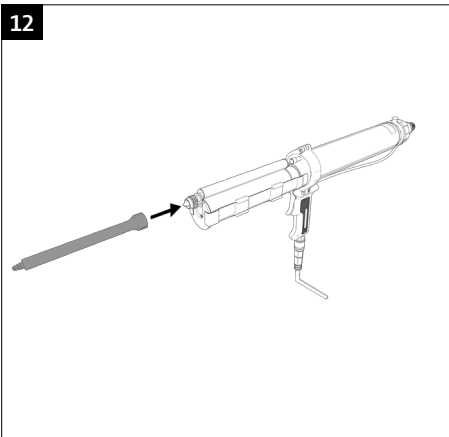




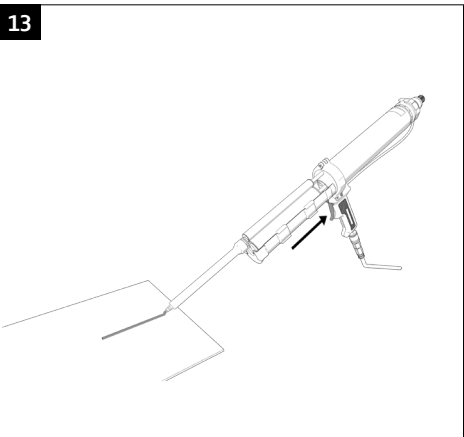
11



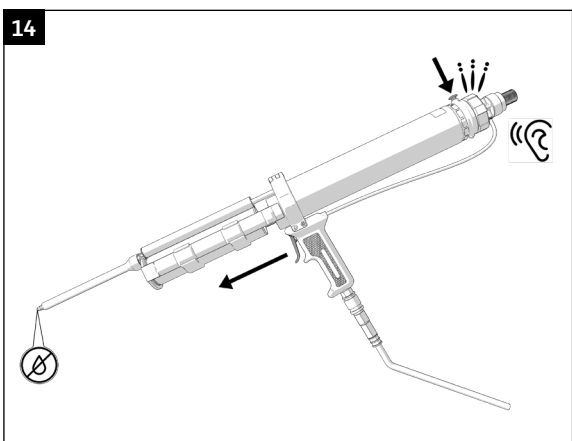
12



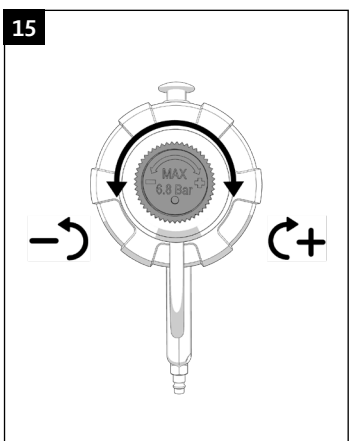
13



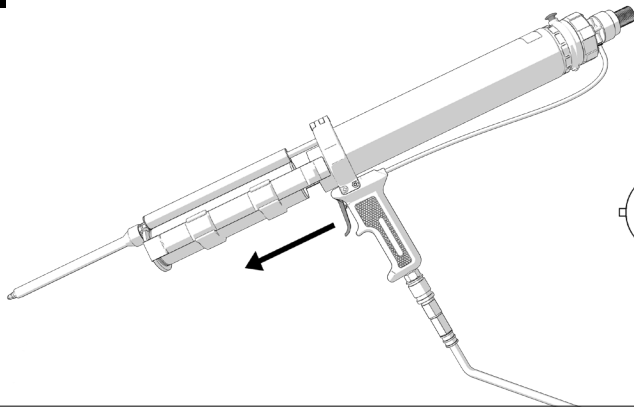
14



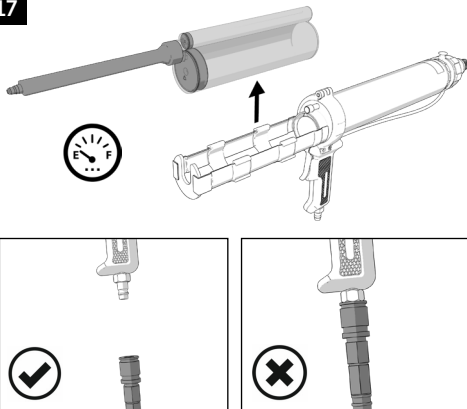
15



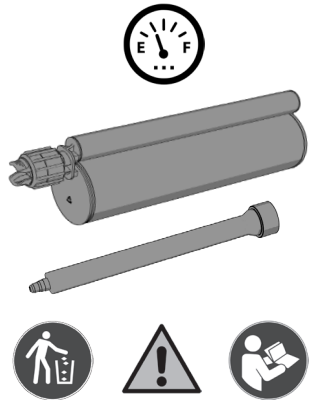
16



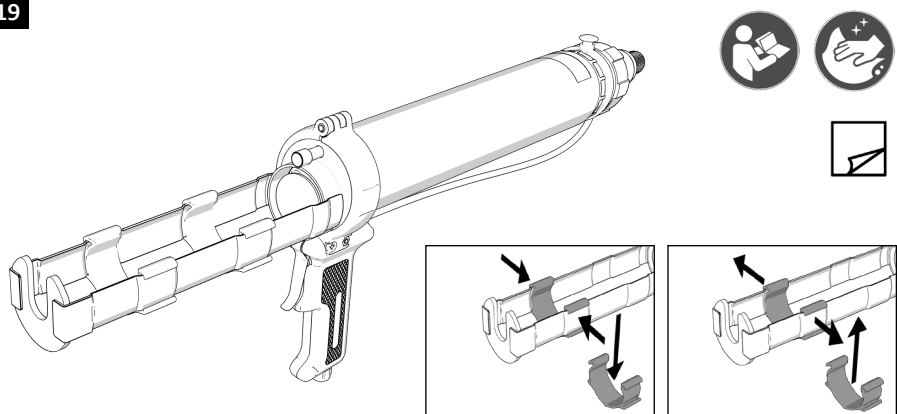
17



18



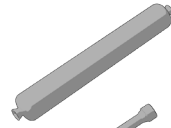
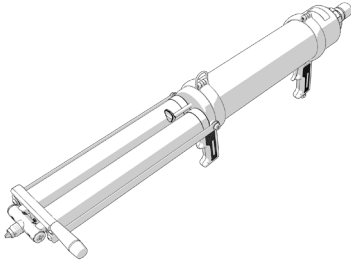
19



Technical Data		Product(s)
		CBA 330 B
Max Air Consumption	CFM	1.41
Max Operating Pressure	PSI	100
	Bar	6.8
Max Supply Pressure	PSI	145
	Bar	10
Operating Temperature Range	Min (°C)	+5
	Max (°C)	+40
	Min (°F)	+41
	Max (°F)	+104
Transport/ Storage Temperature Range	Min (°C)	0
	Max (°C)	+40
	Min (°F)	+32
	Max (°F)	+104
Relative Air Humidity (non-condensing)	Min (%)	30
	Max (%)	80
Air Hose Connection	inch	1/4
Size (Height)	mm	230
	inch	9.1
Size (Length)	mm	669
	inch	26.3
Size (Width)	mm	80
	inch	3.1
Weight	kg	1.9
	lbs	4.1
Sound Pressure	dB(A)	78
	dB(C)	107

1

CBA 600S



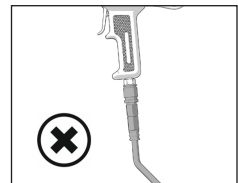
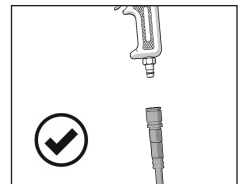
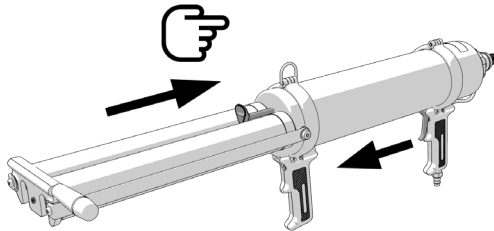
2

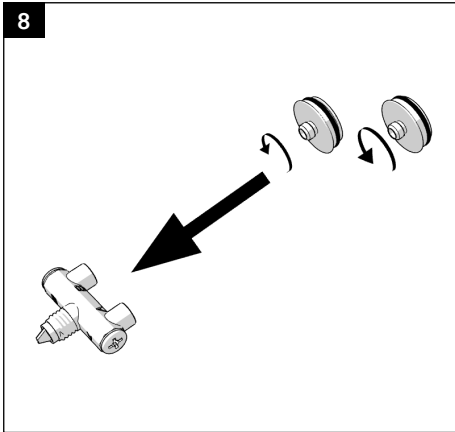
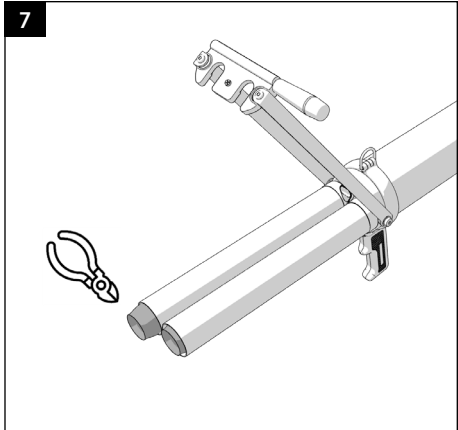
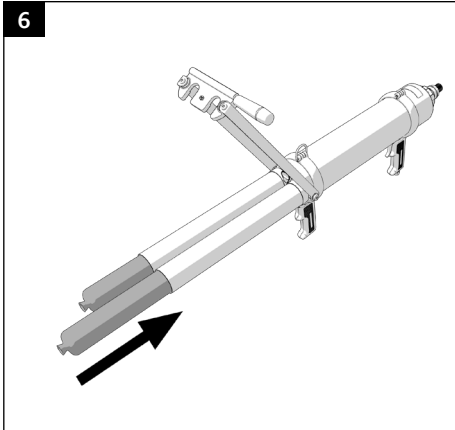
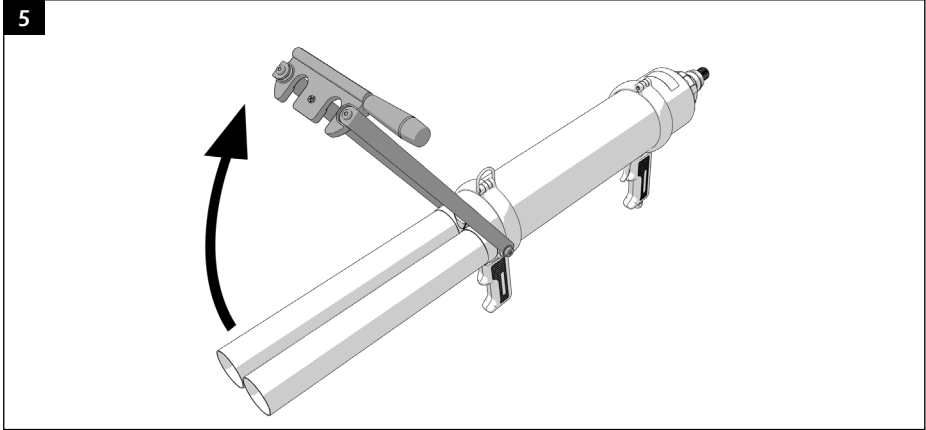


3

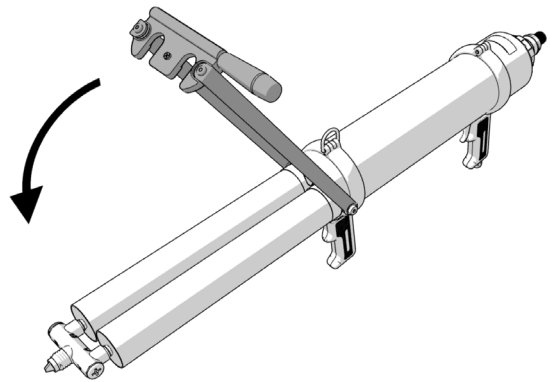


4

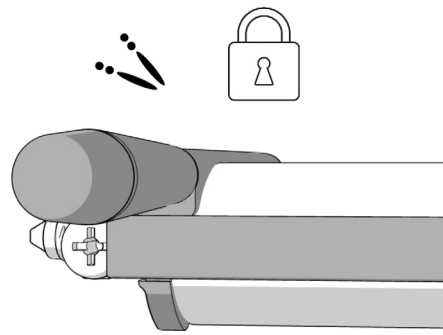




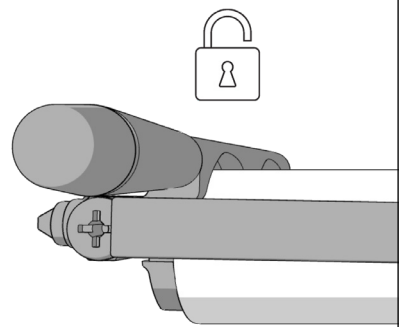
10



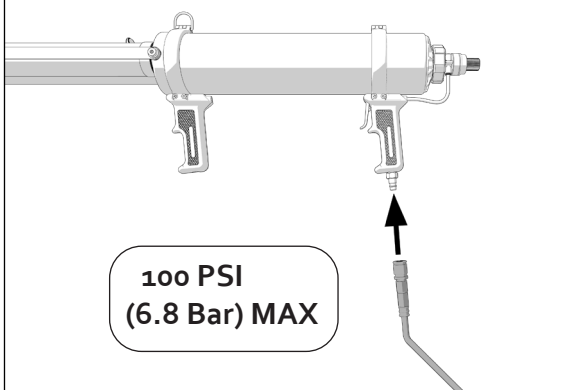
11



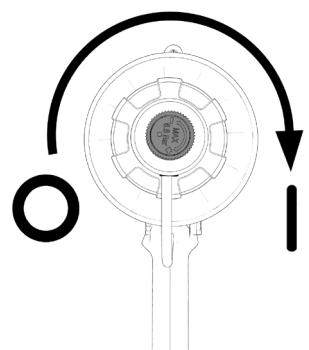
12

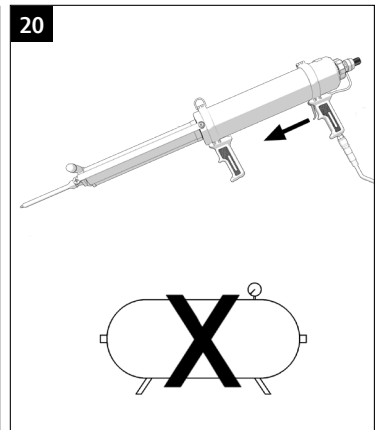
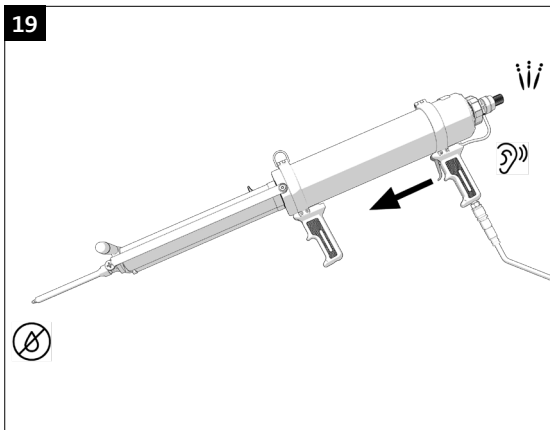
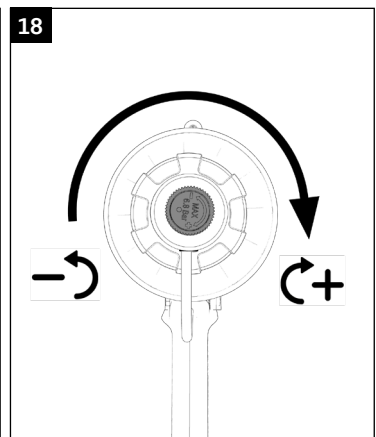
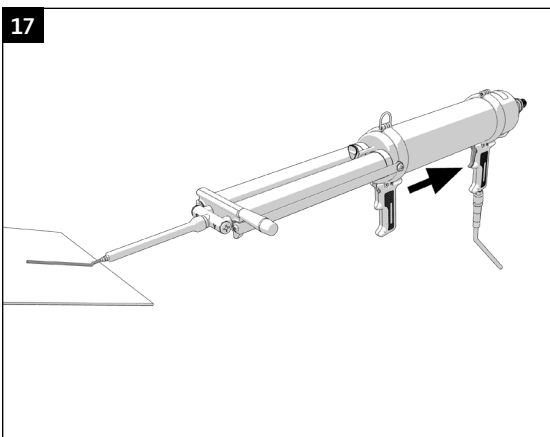
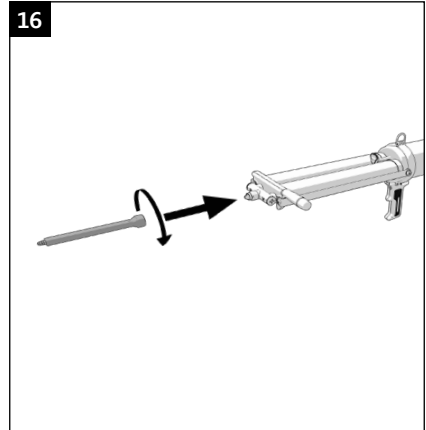
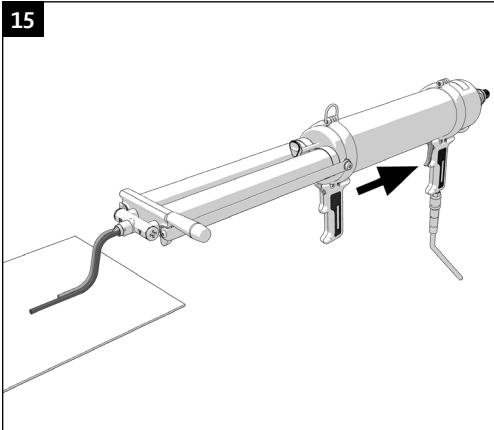


13

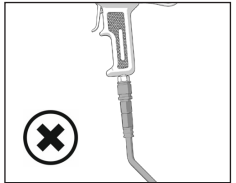
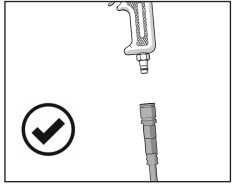
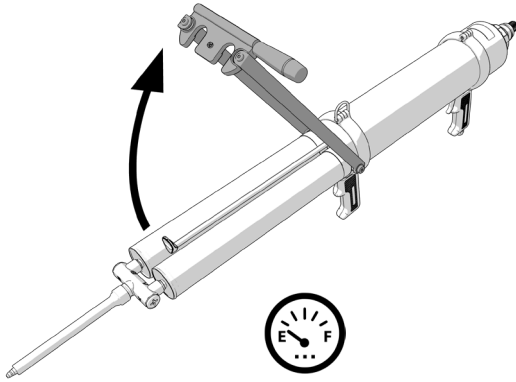


14

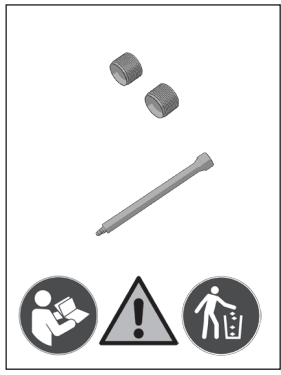
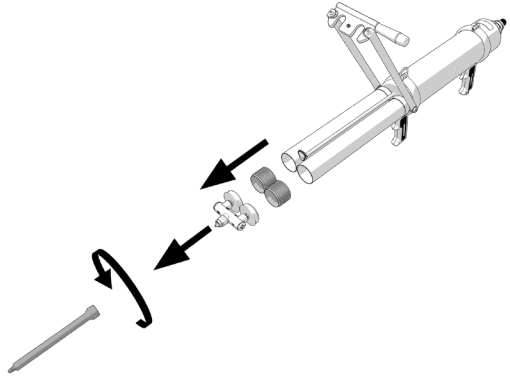




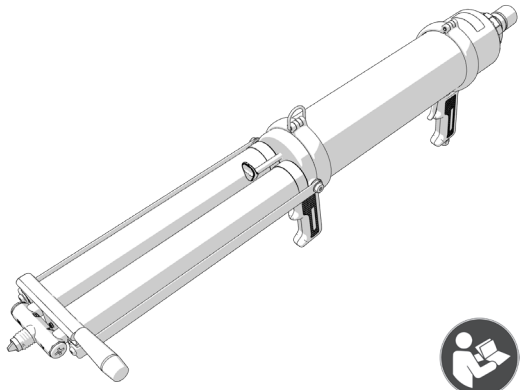
21



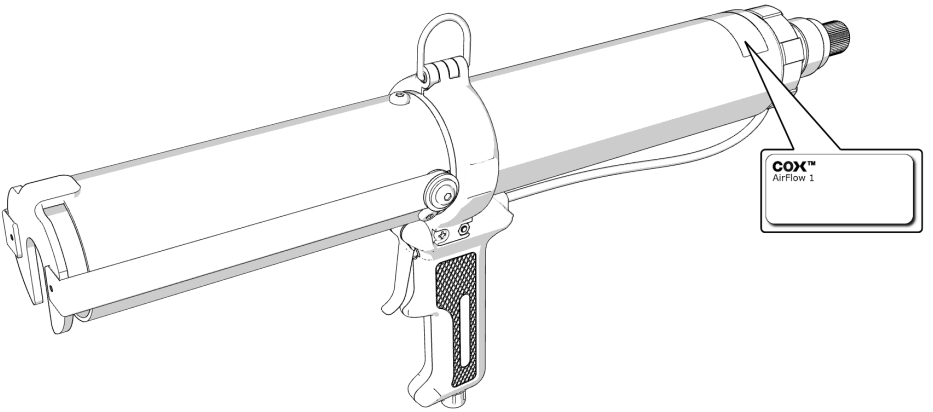
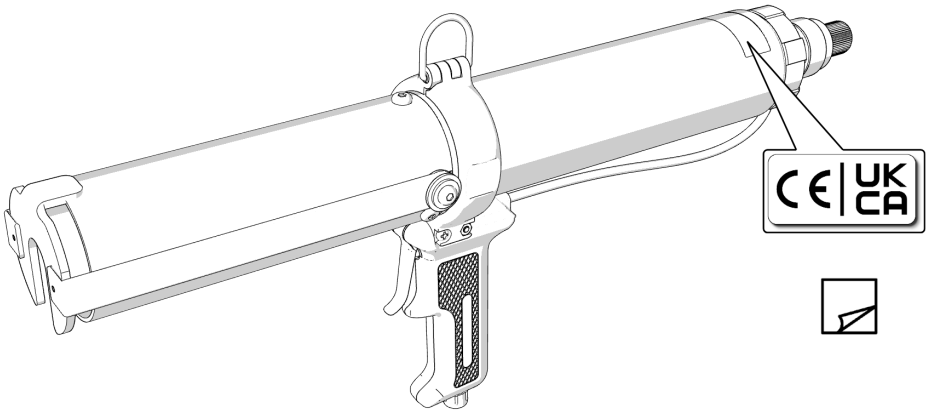
22



23



Technical Data		Product(s)
		Airflow 1 - CBA 600S
Max Air Consumption	CFM	1.41
Max Operating Pressure	PSI	100
	Bar	6.8
Max Supply Pressure	PSI	100
	Bar	6.8
Operating Temperature Range	Min (°C)	+5
	Max (°C)	+40
	Min (°F)	+41
	Max (°F)	+104
Transport/ Storage Temperature Range	Min (°C)	0
	Max (°C)	+40
	Min (°F)	+32
	Max (°F)	+104
Relative Air Humidity (non-condensing)	Min (%)	30
	Max (%)	80
Air Hose Connection	inch	1/4
Size (Height)	mm	263
	inch	10.4
Size (Length)	mm	1057
	inch	41.6
Size (Width)	mm	210
	inch	8.3
Weight	kg	1.9
	lbs	4.1
Sound Pressure	dB(A)	83
	dB(C)	111



EUROPE

medmix Switzerland AG

Ruetistrasse 7,
9469 Haag, Switzerland
Phone: +41 81 414 70 00
Email: sales.industry@medmix.com
Website: medmix.swiss

EC REP

medmix Deutschland GmbH

Zum Kesselort 53,
24149 Kiel, Germany

USA, SOUTH AMERICA, CANADA AND MEXICO

medmix US Inc.

8 Willow St,
Salem, NH 03079, USA
Phone: +1 603 893 2727
Email: sales.industry@medmix.com
Website: medmix.swiss

UK AND IRELAND

medmix UK Ltd

2 Tealgate, Charnham Park, Hungerford
Berkshire, RG17 0YT, United Kingdom
Phone: +44 (0)1488 647 800
Email: cox-mkorders@medmix.com
Website: coxdispensers.com

ASIA PACIFIC

medmix China Ltd

68 Bei Dou Lu,
Minhang District,
Shanghai 200245, P.R. China
Phone: +86 (21)6430 6868
Email: sales.industry@medmix.com
Website: medmix.swiss

Legal Notice: The information contained in this publication is believed to be accurate and reliable but is not to be construed as implying any warranty or guarantee of performance. We waive any liability and indemnity for effects resulting from its application. All information herein is subject to change without notice.

© 2026 medmix All rights reserved.

