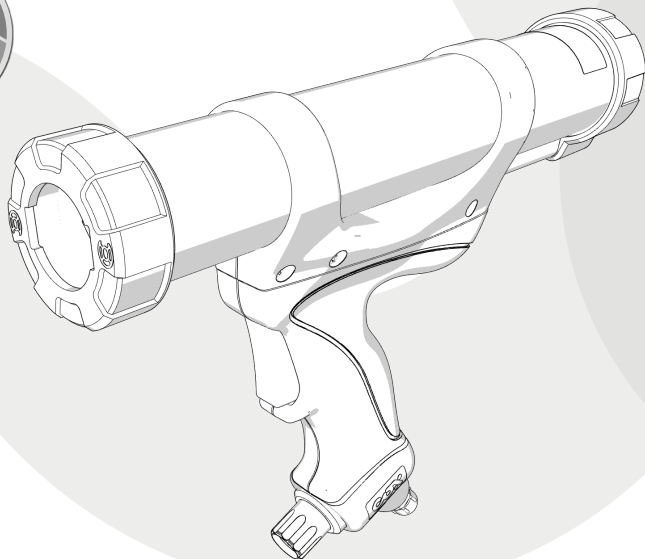


COX™ AIRFLOW™ 3 SACHET/CARTRIDGE COX™ AIRFLOW™ 3 COMPACT COMBI MATERIAL DISPENSERS



EN	USER HANDBOOK	AT	BENUTZERHANDBUCH	BG	РЪКОВОДСТВО НА ПОТРЕБИТЕЛЯ
CZ	UŽIVATELSKÁ PŘÍRUČKA	DE	GEBRAUCHSANWEISUNG	DK	BRUGERVEJLEDNING
EE	KASUTUSJUHEND	ES	MANUAL DE USUARIO	FI	KÄYTTÖOPAS
FR	MODE D'EMPLOI	GR	ΕΓΧΕΙΡΙΔΙΟ ΧΡΗΣΗΣ	HR	KORISNIČKI PRIRUČNIK
HU	FELHASZNÁLÓI KÉZIKÖNYV	IT	GUIDA UTENTE	JA	ユーザーマニュアル
LT	NAUDOTOJO VADOVAS	LV	LIETOTĀJA ROKASGRĀMATA	NL	GEBRUIKSAANWIJZING
NO	BRUKERHÅNDBOK	PO	INSTRUKCJA OBSŁUGI	PT	MANUAL DO USUÁRIO
RO	MANUALUL UTILIZATORULUI	SE	BRUKSANVISNING	SI	NAVODILA ZA UPORABO
SK	UŽIVATELSKÁ PŘÍRUČKA	TR	KULLANIM KILAVUZU	ZH	用戶手冊

TABLE OF CONTENTS

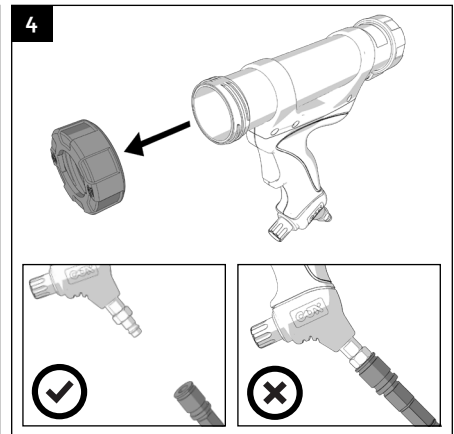
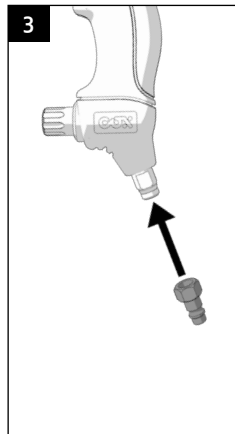
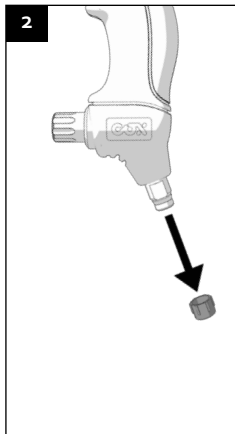
LEGEND	PAGE 3
COX™ AIRFLOW™ 3 SACHET/CARTRIDGE	PAGE 4
TECHNICAL DATA	PAGE 9
COX™ AIRFLOW™ 3 COMPACT COMBI	PAGE 10
TECHNICAL DATA	PAGE 15

Legend

Clean with cloth		Full	
Hand crush		Nearly empty	
Read handbook		Use screwdriver	
Wear safety goggles		Use snips	
Wear safety gloves		Use pliers	
Disposal		Push	
Warning		Not OK	
Off		OK	
On		Lock	
Decrease flow		No lock	
Increase flow		Inspect label, replace if necessary	
Listen		Interruption of air supply	
Noise			
Anti drip			
Empty			

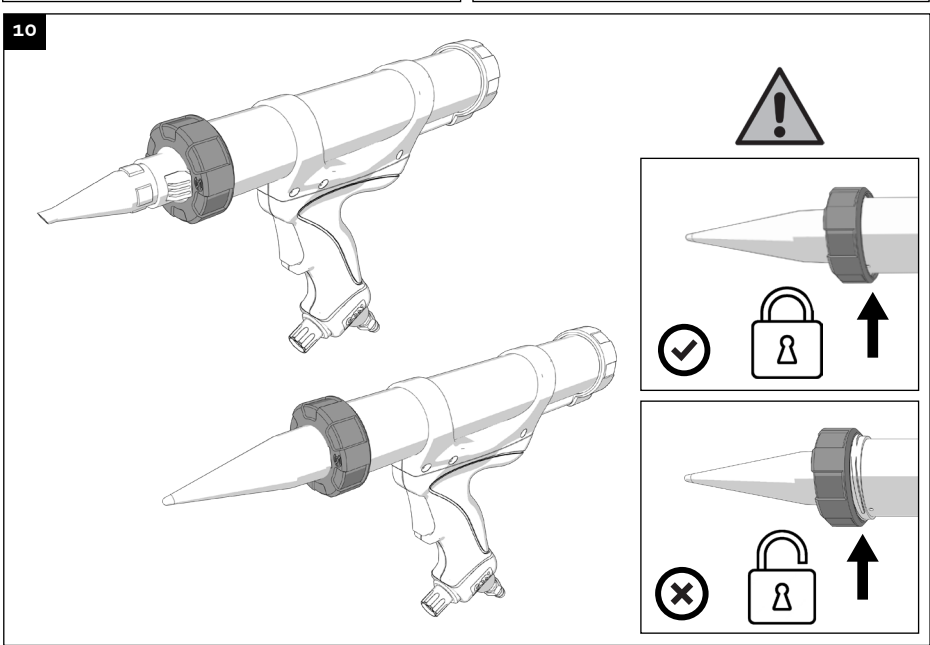
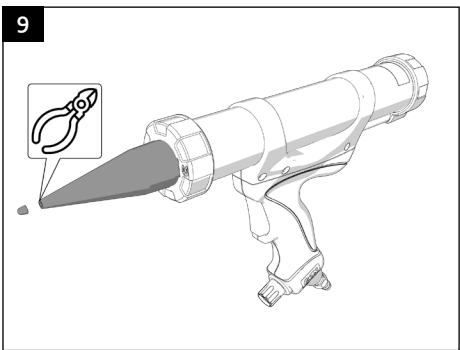
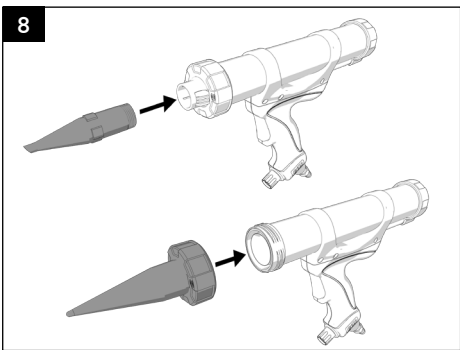
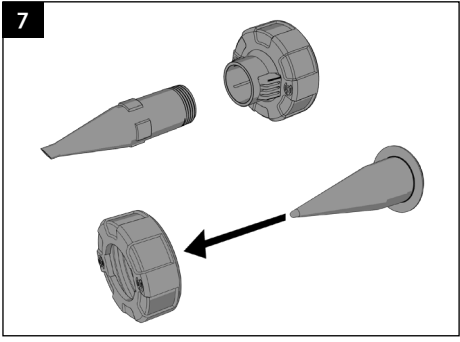
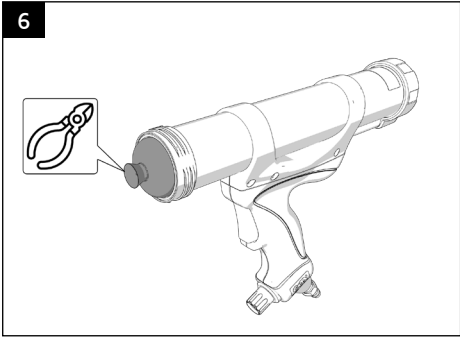
1 SACHET/CARTRIDGE

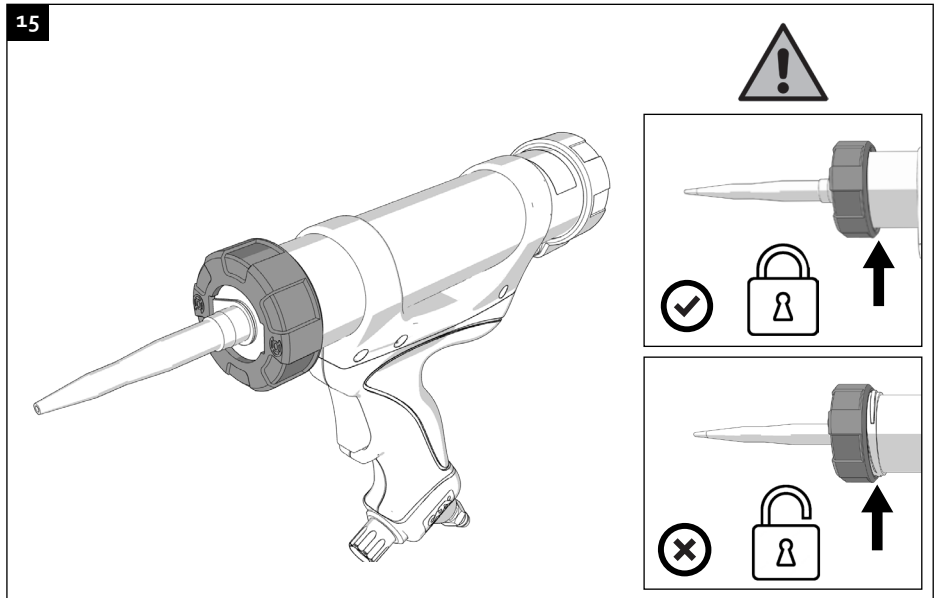
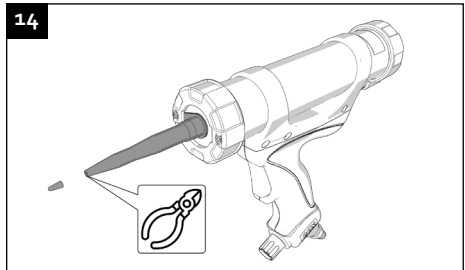
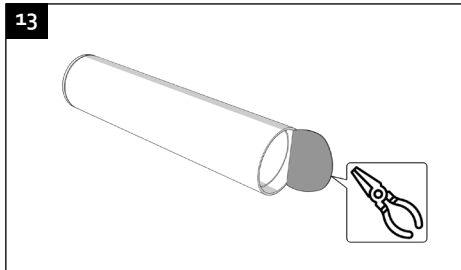
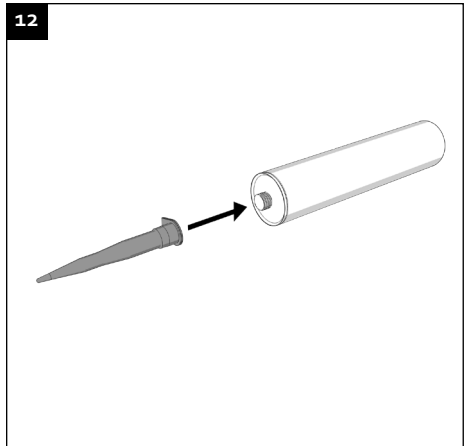
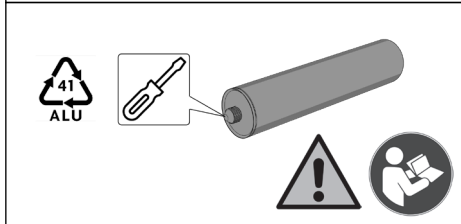
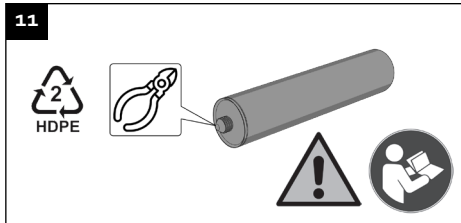
This diagram illustrates the components for step 1. On the left is the COX AIRFLOW 3 1K device. To its right is a plus sign followed by three cartridges: a conical cartridge, a long cylindrical cartridge, and a shorter cylindrical cartridge. Safety icons are present: a warning triangle, a person reading, safety glasses, gloves, a pencil, and a person reading with a warning triangle.

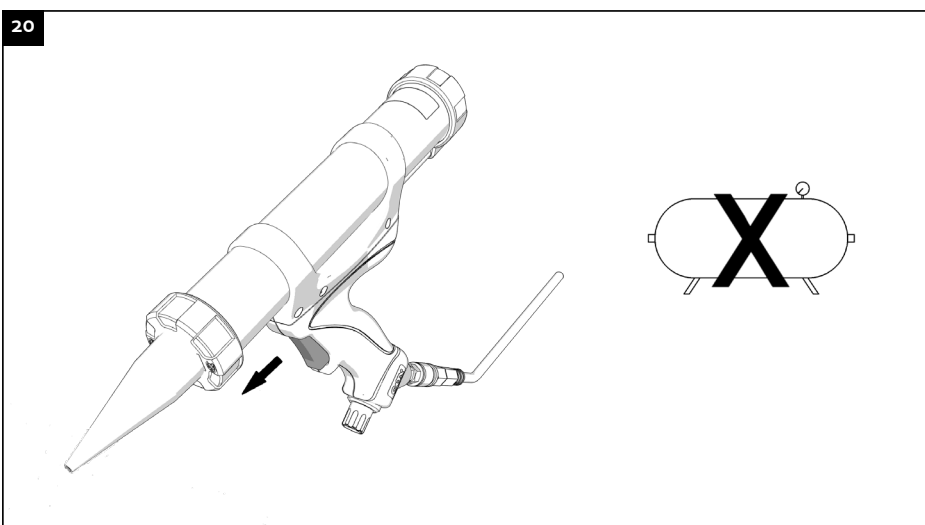
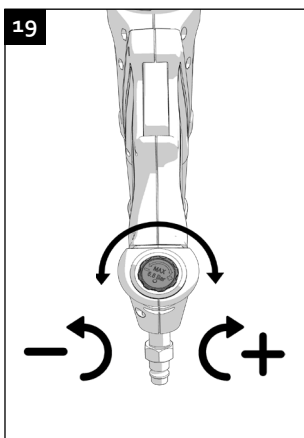
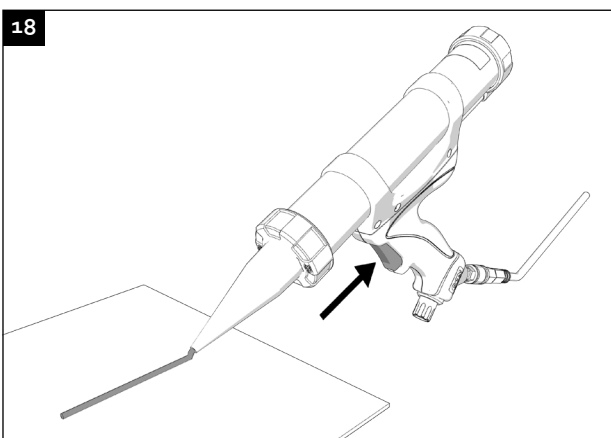
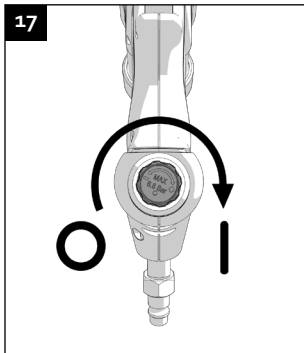
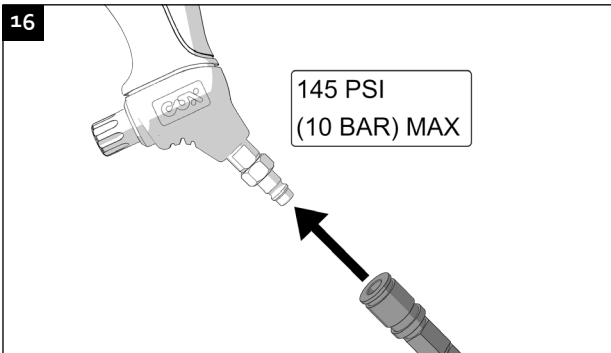


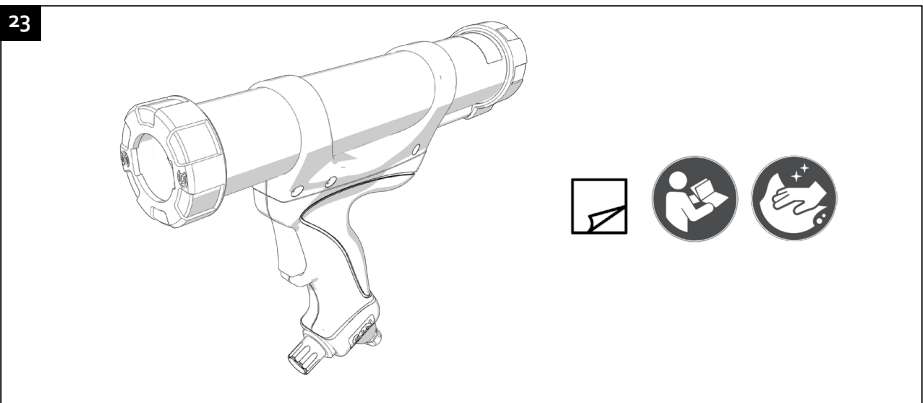
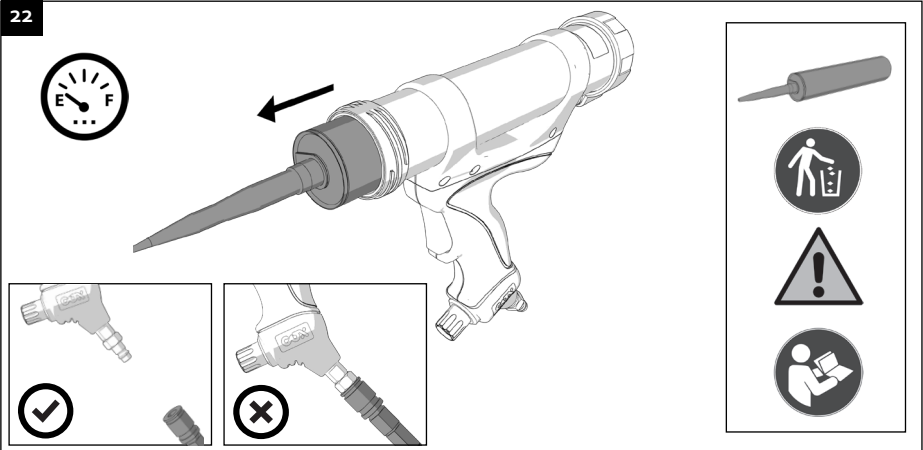
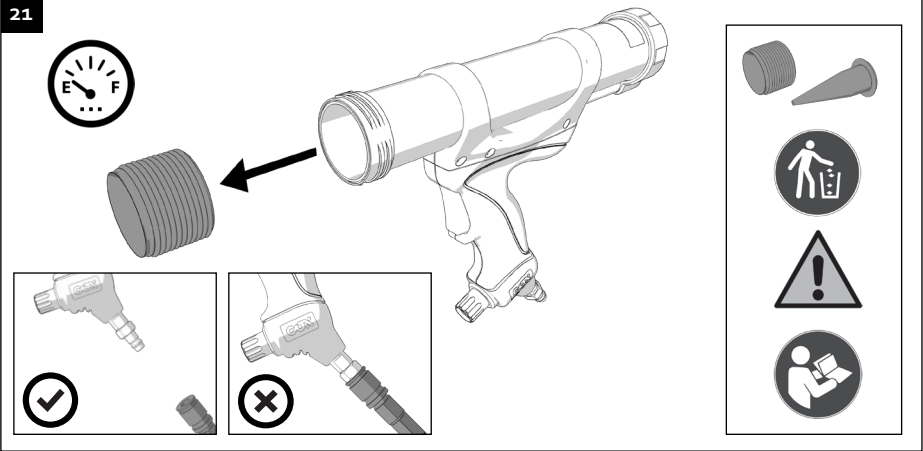
5

This diagram shows a close-up of the device's nozzle. An arrow points to a cartridge being inserted into the nozzle. To the right is a single long cylindrical cartridge. Safety icons include a warning triangle and a person reading.









Technical Data		Product(s)		
		Airflow 3 - Cart	Airflow 3 - Quart Cart	Airflow 3 - Satchet
Max Air Consumption	CFM	9.2	9.2	9.2
Max Operating Pressure	PSI	125	125	125
	Bar	8.6	8.6	8.6
Max Supply Pressure	PSI	145	145	145
	Bar	10	10	10
Operating Temperature Range	Min (°C)	+5	+5	+5
	Max (°C)	+40	+40	+40
	Min (°F)	+41	+41	+41
	Max (°F)	+104	+104	+104
Transport/ Storage Temperature Range	Min (°C)	0	0	0
	Max (°C)	+40	+40	+40
	Min (°F)	+32	+32	+32
	Max (°F)	+104	+104	+104
Relative Air Humidity (non-condensing)	Min (%)	30	30	30
	Max (%)	80	80	80
Air Hose Connection	inch	1/4 BSP male	1/4 BSP male	1/4 BSP male
Size (Height)	mm	251.0	285.0	251.0
	inch	9.9	11.2	9.9
Size (Length)	mm	271.0	751.0	436.0
	inch	10.7	29.6	17.2
Size (Width)	mm	69.0	69.0	69.0
	inch	2.7	2.7	2.7
Weight	kg	0.8	1.8	0.8
	lbs	1.7	3.9	1.8
Sound Pressure	dB(A)	59	59	59
	dB(C)	97	97	97

1 COMPACT COMBI

Diagram 1 shows the components of the Compact Combi system. On the left is the main handpiece. To its right is a plus sign followed by two separate components: a conical nozzle and a cylindrical cartridge. On the far left are four safety icons: a warning triangle, a person reading a manual, a person wearing glasses, and a person wearing gloves. On the far right are two more icons: a warning triangle and a person reading a manual.

2

Diagram 2 shows the nozzle of the handpiece with an arrow pointing down to a small cylindrical cap.

3

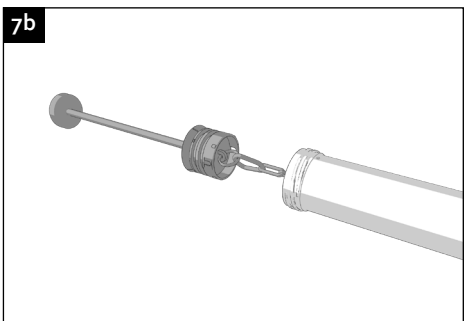
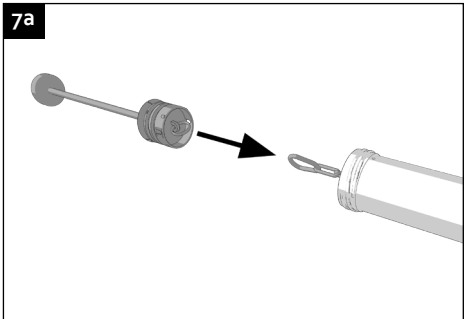
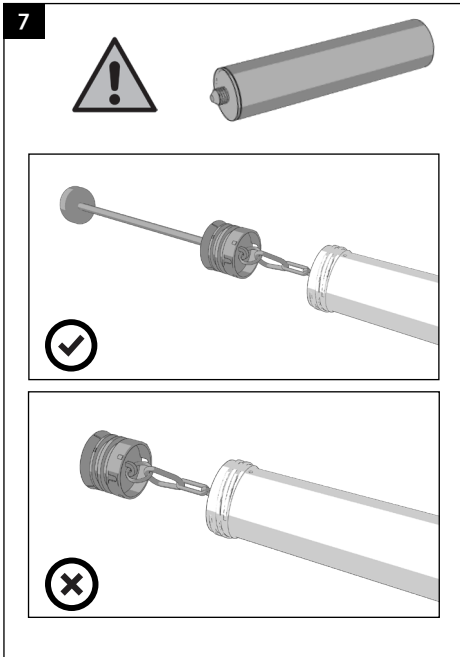
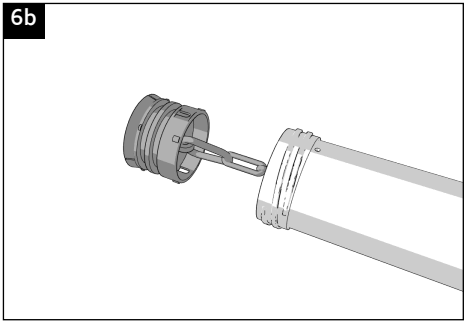
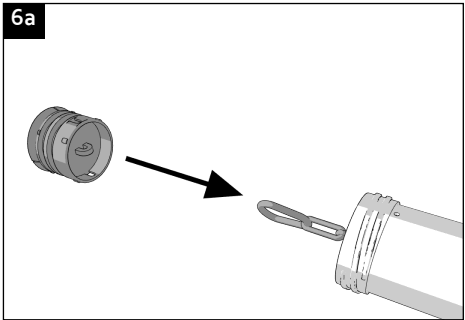
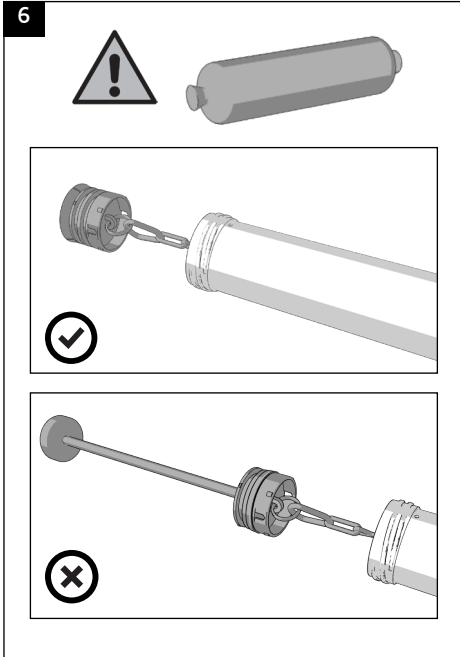
Diagram 3 shows the nozzle of the handpiece with an arrow pointing down to a small cylindrical cap, which is then shown being inserted into the nozzle.

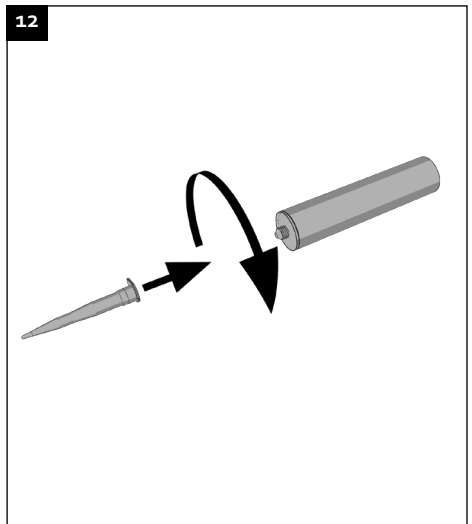
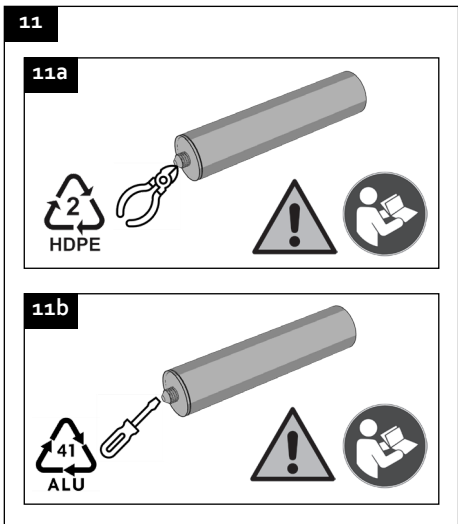
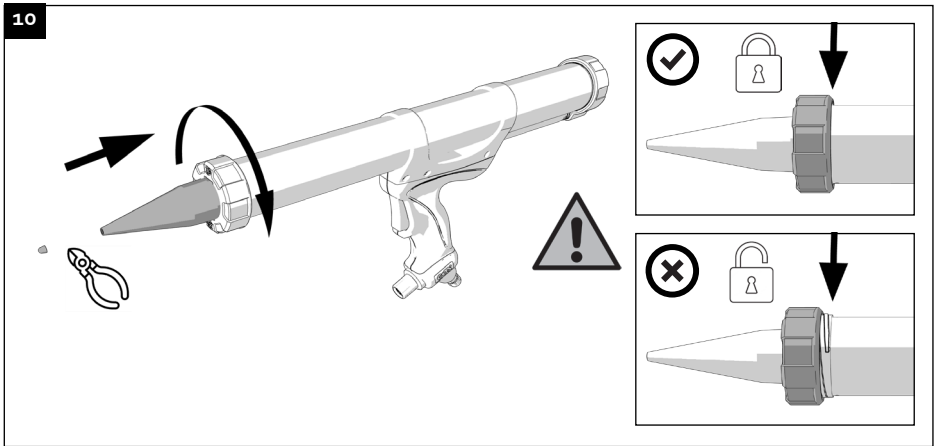
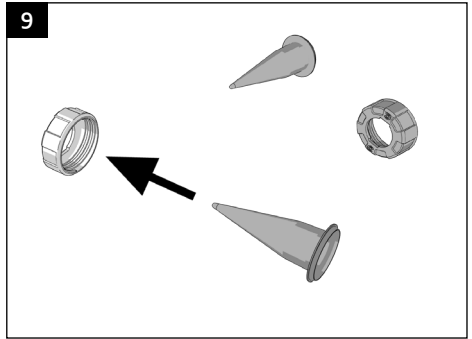
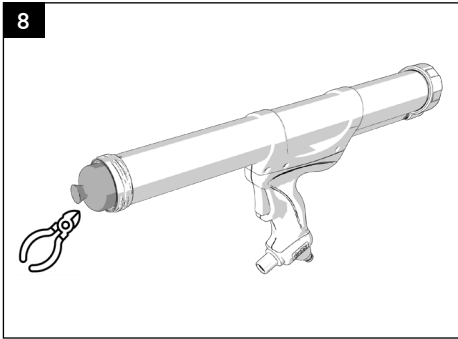
4

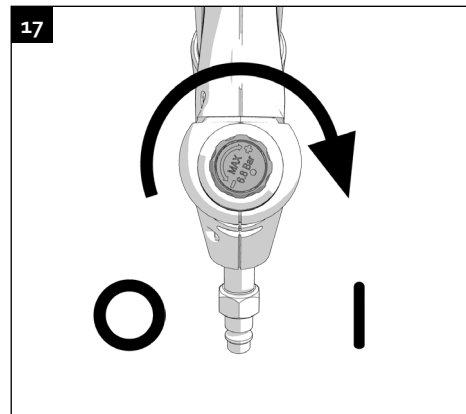
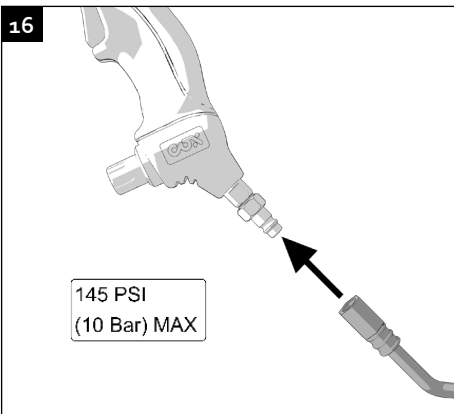
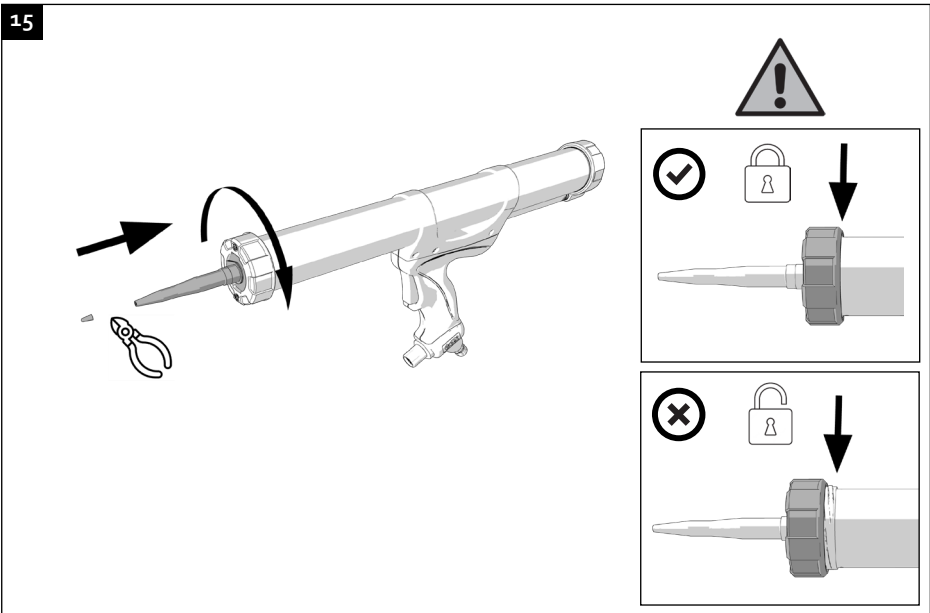
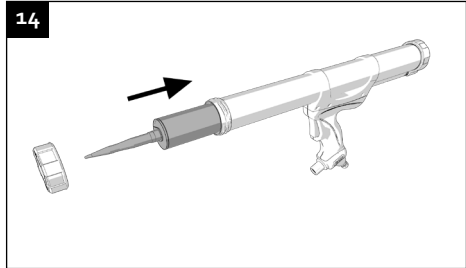
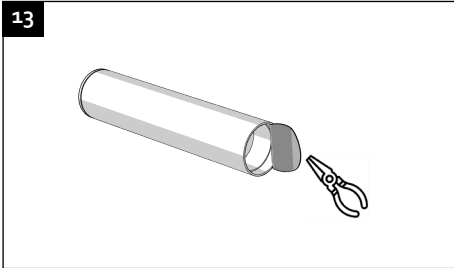
Diagram 4 shows the nozzle of the handpiece with an arrow pointing to a cylindrical cap. Below are two inset diagrams: the left one shows the cap correctly seated on the nozzle with a checkmark, and the right one shows the cap incorrectly seated on the side of the nozzle with an X mark.

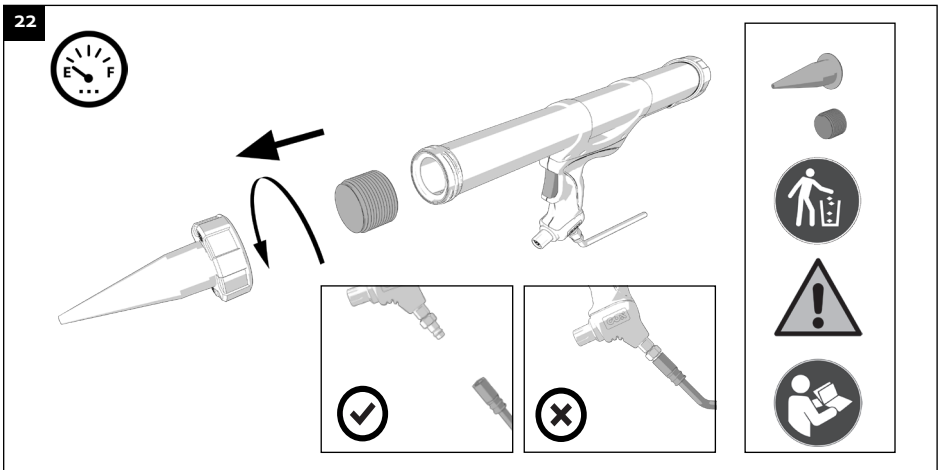
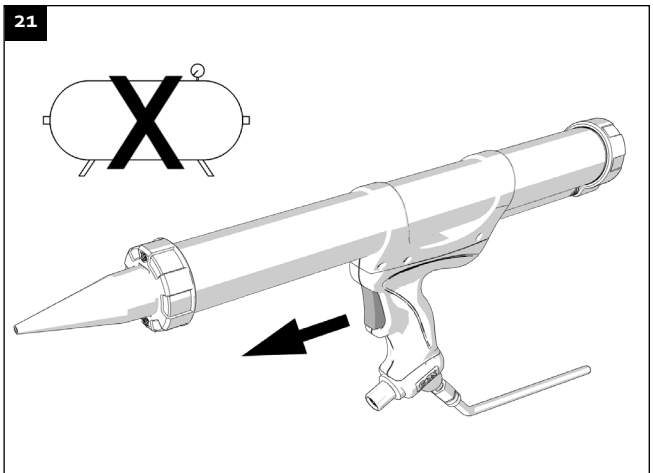
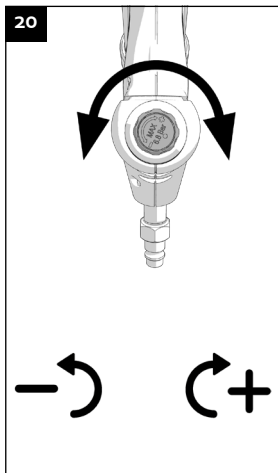
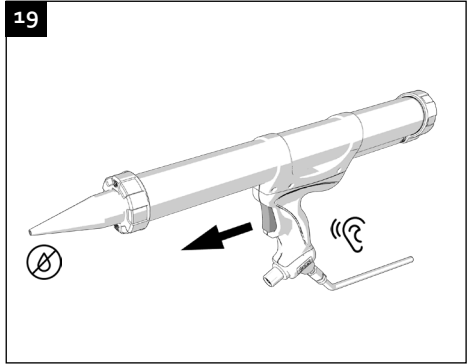
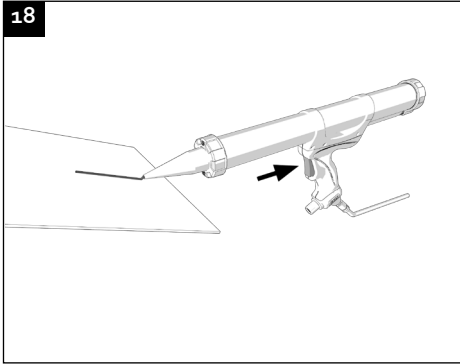
5

Diagram 5 shows the nozzle of the handpiece with an arrow pointing to a long cylindrical cartridge. To the right is another cylindrical cartridge. Below are two safety icons: a warning triangle and a person reading a manual.

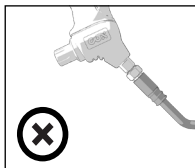
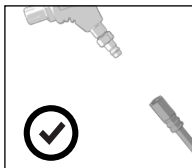
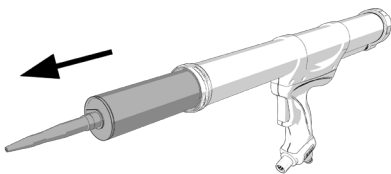
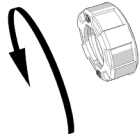




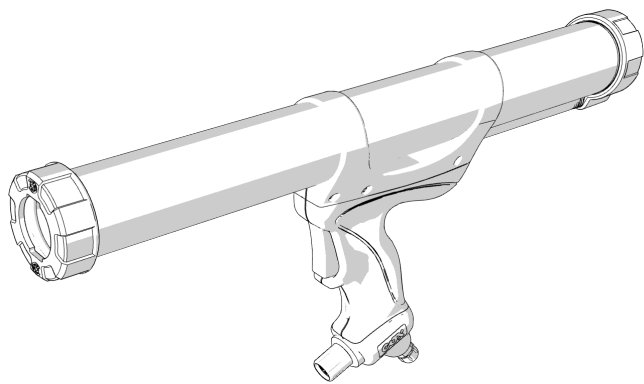




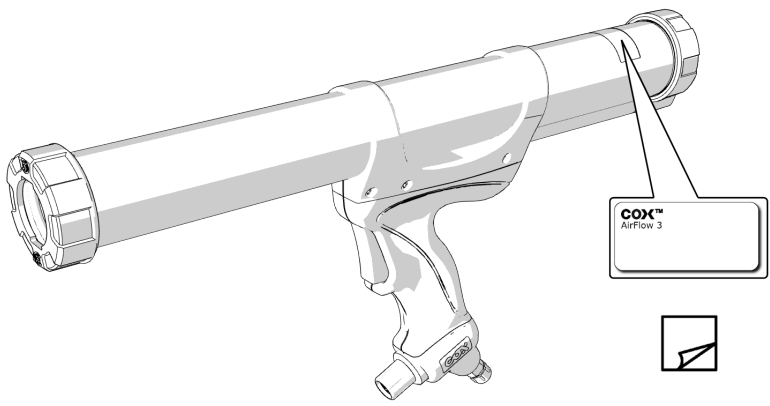
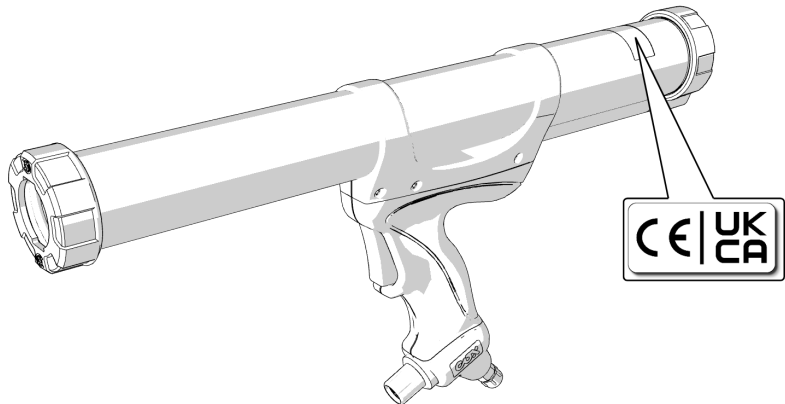
23



24



Technical Data		Airflow 3 - Compact Combi
		Max Air Consumption
Max Operating Pressure	PSI	100
	Bar	6.8
Max Supply Pressure	PSI	145
	Bar	10
Operating Temperature Range	Min (°C)	+5
	Max (°C)	+40
	Min (°F)	+41
	Max (°F)	+104
Transport/ Storage Temperature Range	Min (°C)	0
	Max (°C)	+40
	Min (°F)	+32
	Max (°F)	+104
Relative Air Humidity (non-condensing)	Min (%)	30
	Max (%)	80
Air Hose Connection	inch	1/4 BSP male
Size (Height)	mm	252
	inch	9.9
Size (Length)	mm	464
	inch	18.27
Size (Width)	mm	68.5
	inch	2.7
Weight	kg	0.99
	lbs	2.2
Sound Pressure	dB(A)	60
	dB(C)	97



EUROPE

medmix Switzerland AG

Ruetistrasse 7,
9469 Haag, Switzerland
Phone: +41 81 414 70 00
Email: sales.industry@medmix.com
Website: medmix.swiss

EC REP

medmix Deutschland GmbH

Zum Kesselort 53,
24149 Kiel, Germany

USA, SOUTH AMERICA, CANADA AND MEXICO

medmix US Inc.

8 Willow St,
Salem, NH 03079, USA
Phone: +1 603 893 2727
Email: sales.industry@medmix.com
Website: medmix.swiss

UK AND IRELAND

medmix UK Ltd

2 Tealgate, Charnham Park, Hungerford
Berkshire, RG17 0YT, United Kingdom
Phone: +44 (0)1488 647 800
Email: cox-mkorders@medmix.com
Website: coxdispensers.com

ASIA PACIFIC

medmix China Ltd

68 Bei Dou Lu,
Minhang District,
Shanghai 200245, P.R. China
Phone: +86 (21)6430 6868
Email: sales.industry@medmix.com
Website: medmix.swiss

Legal Notice: The information contained in this publication is believed to be accurate and reliable but is not to be construed as implying any warranty or guarantee of performance. We waive any liability and indemnity for effects resulting from its application. All information herein is subject to change without notice.