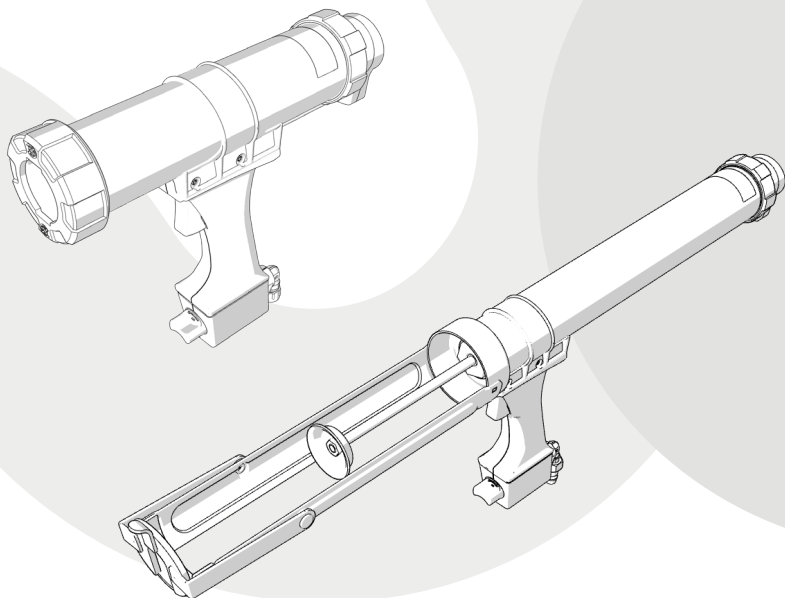


COX™ AIRFLOW™ 2 CARTRIDGE, SACHET COX™ AIRFLOW™ 2 QUART, COMBI MATERIAL DISPENSERS



EN	USER HANDBOOK	AT	BENUTZERHANDBUCH	BG	РЪКОВОДСТВО НА ПОТРЕБИТЕЛЯ
CZ	UŽIVATELSKÁ PŘÍRUČKA	DE	GEBRAUCHSANWEISUNG	DK	BRUGERVEJLEDNING
EE	KASUTUSJUHEND	ES	MANUAL DE USUARIO	FI	KÄYTTÖOPAS
FR	MODE D'EMPLOI	GR	ΕΓΧΕΙΡΙΔΙΟ ΧΡΗΣΗΣ	HR	KORISNIČKI PRIRUČNIK
HU	FELHASZNÁLÓI KÉZIKÖNYV	IT	GUIDA UTENTE	JA	ユーザーマニュアル
LT	NAUDOTOJO VADOVAS	LV	LIETOTĀJA ROKASGRĀMATA	NL	GEBRUIKSAANWIJZING
NO	BRUKERHÅNDBOK	PO	INSTRUKCJA OBSŁUGI	PT	MANUAL DO USUÁRIO
RO	MANUALUL UTILIZATORULUI	SE	BRUKSANVISNING	SI	NAVODILA ZA UPORABO
SK	UŽIVATELSKÁ PŘÍRUČKA	TR	KULLANIM KILAVUZU	ZH	用戶手冊

TABLE OF CONTENTS

LEGEND	PAGE 3
COX™ AIRFLOW™ 2 CARTRIDGE TECHNICAL DATA	PAGE 4 PAGE 8
COX™ AIRFLOW™ 2 SACHET TECHNICAL DATA	PAGE 9 PAGE 13
COX™ AIRFLOW™ 2 QUART TECHNICAL DATA	PAGE 14 PAGE 18
COX™ AIRFLOW™ 2 COMBI TECHNICAL DATA	PAGE 19 PAGE 25

Legend

Clean with cloth



Hand crush



Read handbook



Wear safety goggles



Wear safety gloves



Disposal



Warning



Off



On



Decrease flow



Increase flow



Listen



Noise



Anti drip



Empty



Full



Nearly empty



Use screwdriver



Use snips



Use pliers



Push



Not OK



OK



Lock



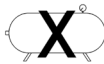
No lock



Inspect label,
replace if
necessary



Interruption
of air supply



1 CARTRIDGE

This diagram illustrates the components for step 1: the COX™ Airflow™ 2 handheld device, a grey cylindrical cartridge, and a grey conical tool. Safety icons include a warning triangle, a person reading a manual, safety glasses, gloves, and a sharp object icon.

2

This diagram shows the removal of a cap from the device. A downward arrow indicates the cap being pushed down and then shown separately below.

3

This diagram shows the insertion of a cartridge into the device. An upward arrow indicates the cartridge being pushed up into the device.

4

This diagram shows the removal of a cap from the device. A curved arrow indicates the cap being rotated and then shown separately. Below are two inset diagrams: the left one shows a correct connection with a checkmark, and the right one shows an incorrect connection with an X.

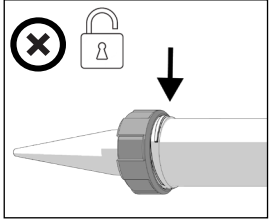
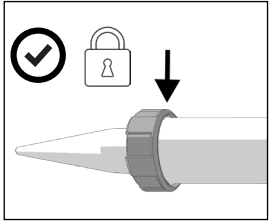
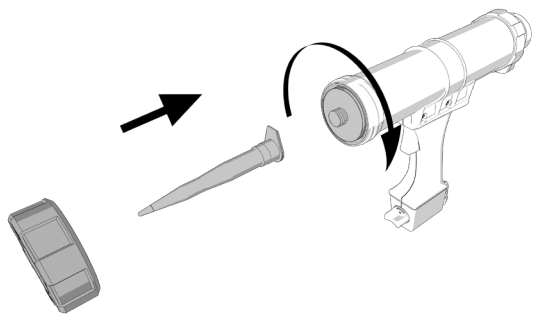
5

This diagram shows the cartridge being inserted into the device. An arrow points to the cartridge being pushed into the device. Safety icons include a warning triangle and a person reading a manual.

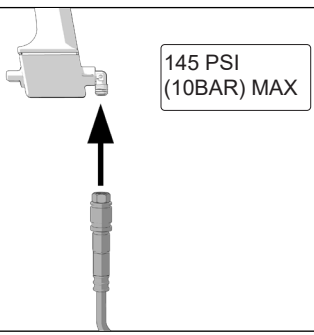
6

This diagram shows the removal of a cap from the device. A pair of pliers is shown pulling the cap away from the device.

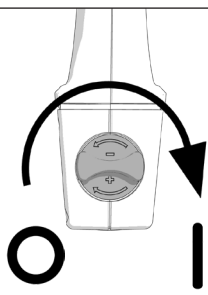
7



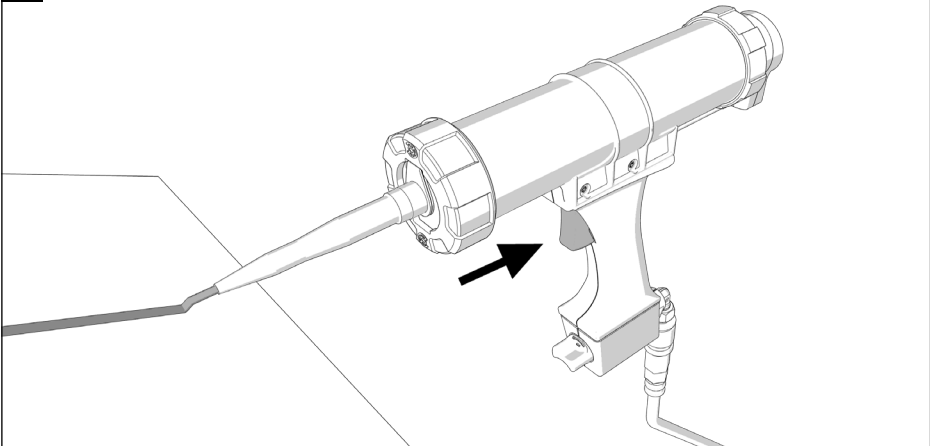
8

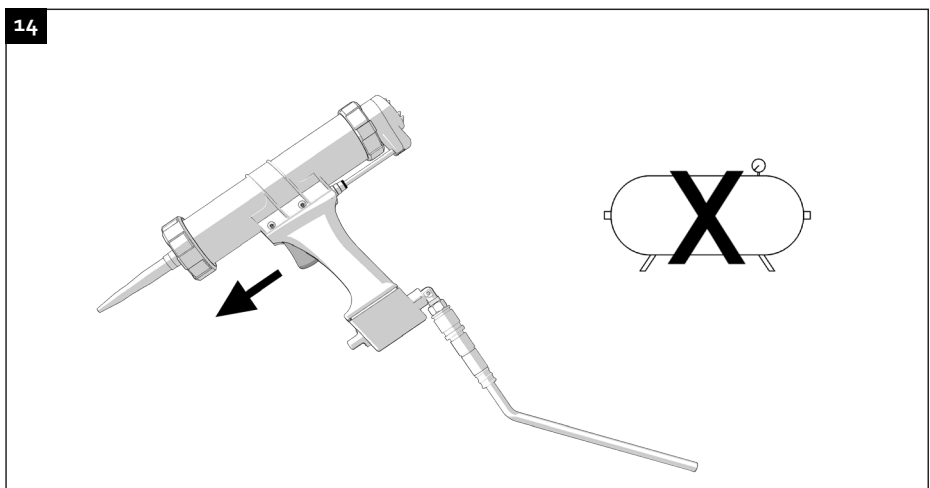
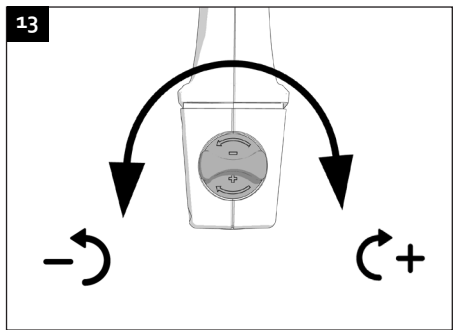
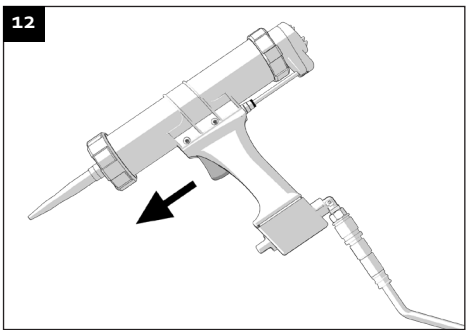
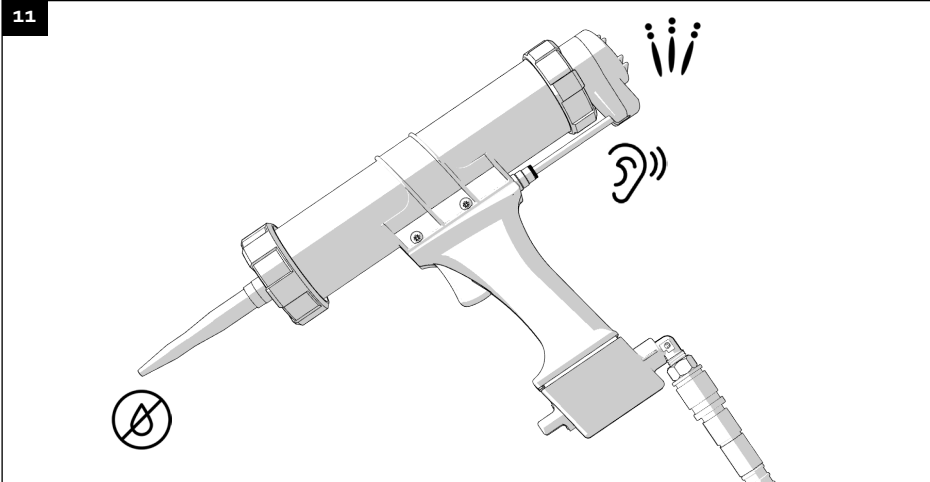


9

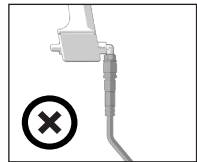
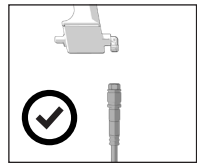
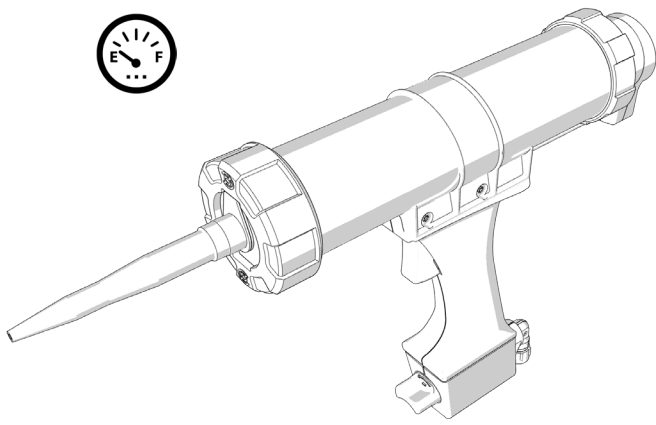


10

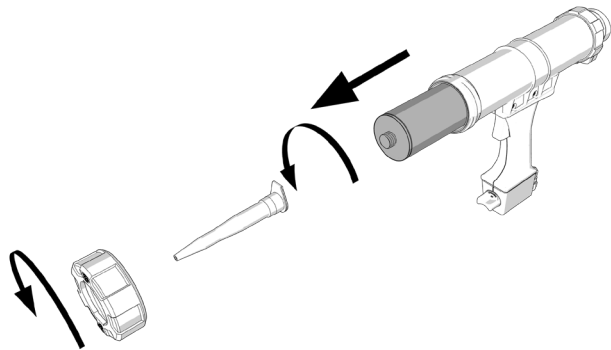




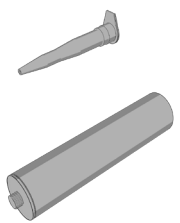
15



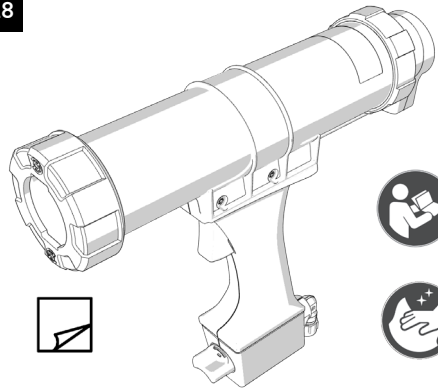
16



17

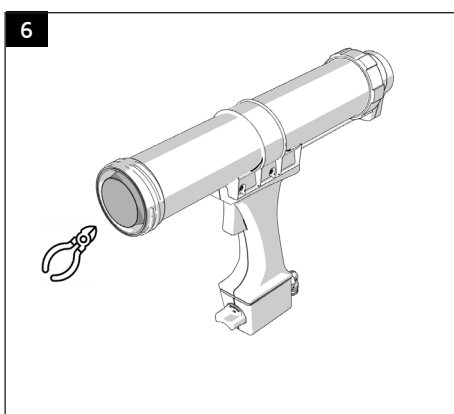
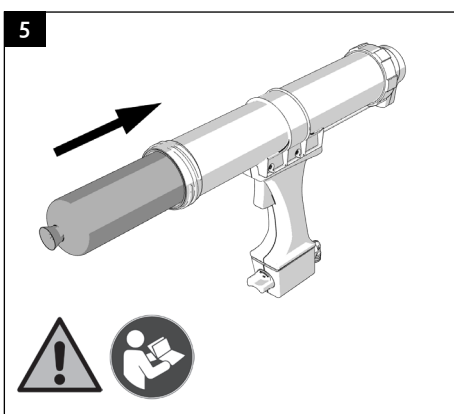
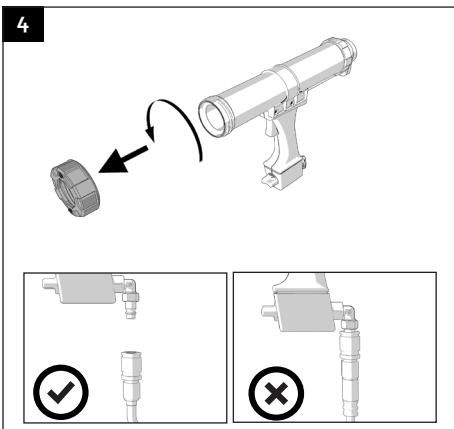
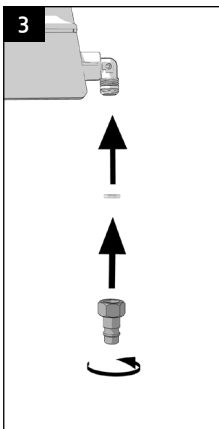
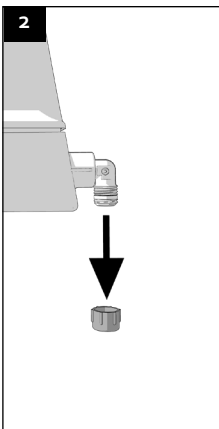
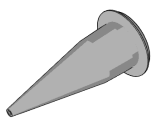
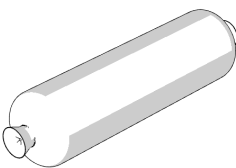
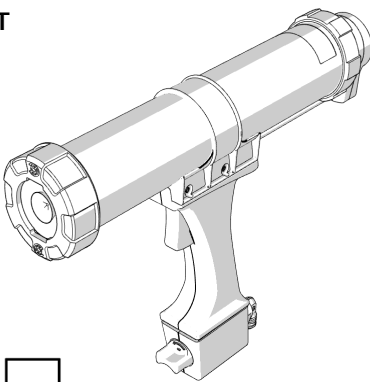


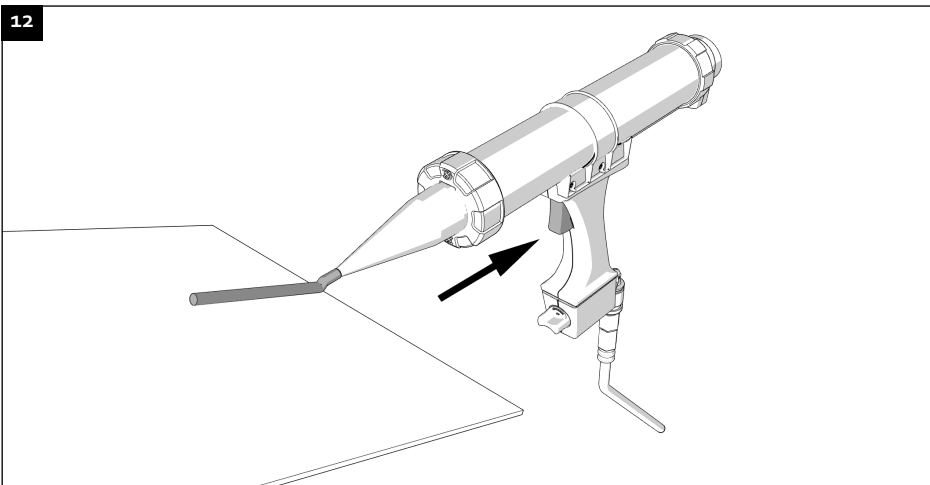
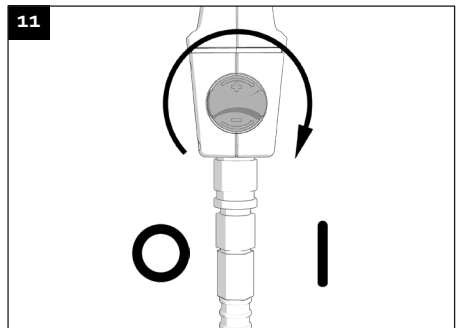
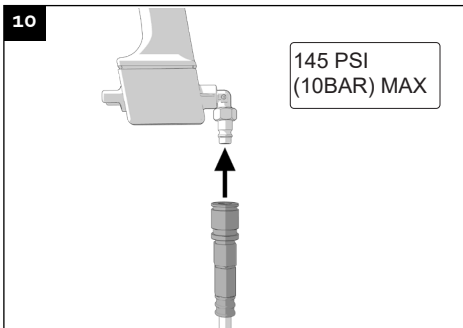
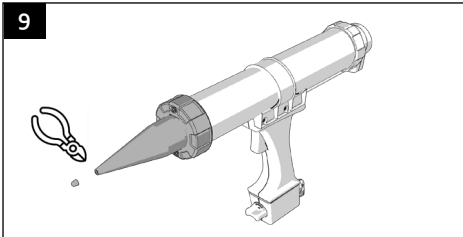
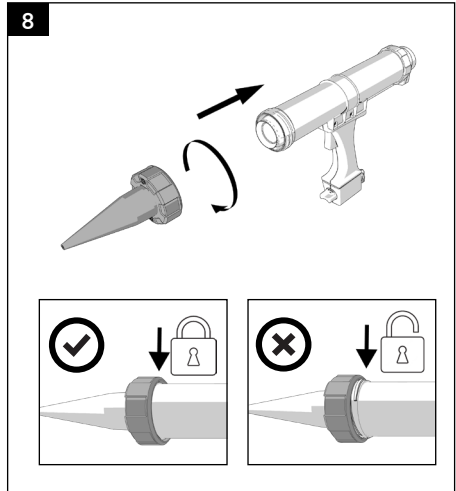
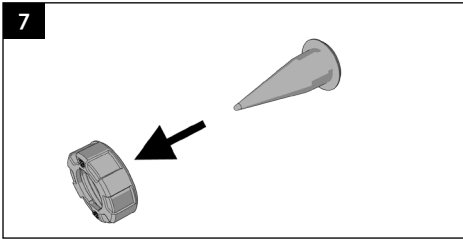
18



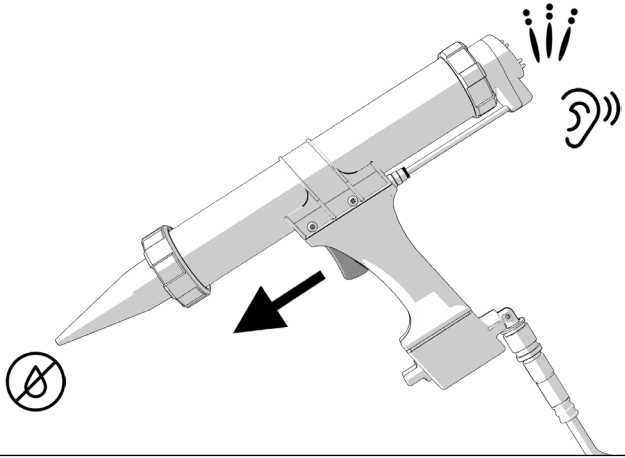
Technical Data		Product(s)	
		Airflow 2 - Cartridge 310mL	Airflow 2 - Cartridge 400mL
Max Air Consumption	CFM	6.0	6.5
Max Operating Pressure	PSI	100	100
	Bar	6.8	6.8
Max Supply Pressure	PSI	145	145
	Bar	10	10
Operating Temperature Range	Min (°C)	+5	+5
	Max (°C)	+40	+40
	Min (°F)	+41	+41
	Max (°F)	+104	+104
Transport/Storage Temperature Range	Min (°C)	0	0
	Max (°C)	+40	+40
	Min (°F)	+32	+32
	Max (°F)	+104	+104
Relative Air Humidity (non-condensing)	Min (%)	30	30
	Max (%)	80	80
Air Hose Connection	inch	1/4	1/4
Size (Height)	mm	242	242
	inch	9.5	9.5
Size (Length)	mm	282	322
	inch	11.1	12.7
Size (Width)	mm	69	69
	inch	2.7	2.7
Weight	kg	0.73	0.81
	lbs	1.6	1.7
Sound Pressure	dB(A)	77	77
	dB(C)	116	116
Vibration	m/s ²	0.0198	0.0198

1 SACHET

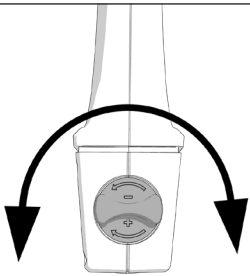




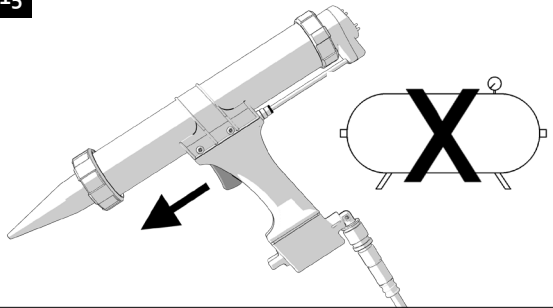
13



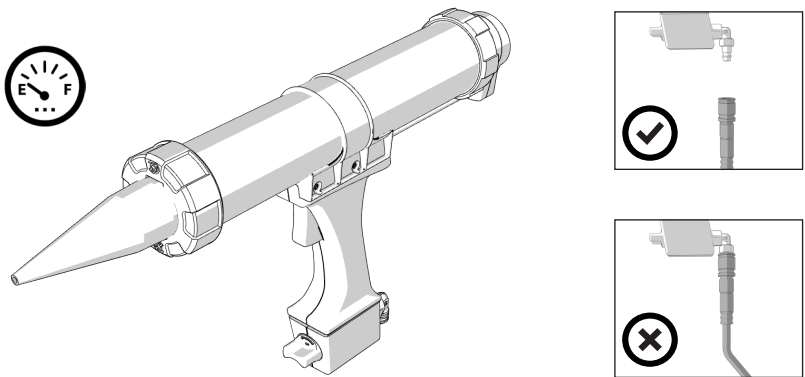
14



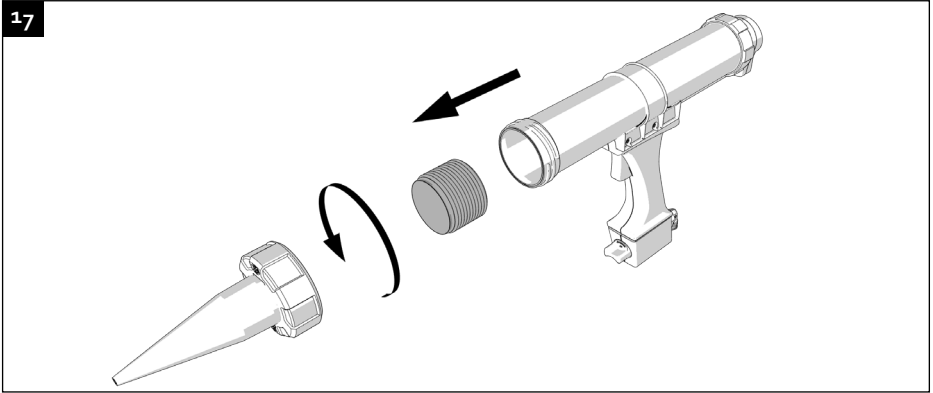
15



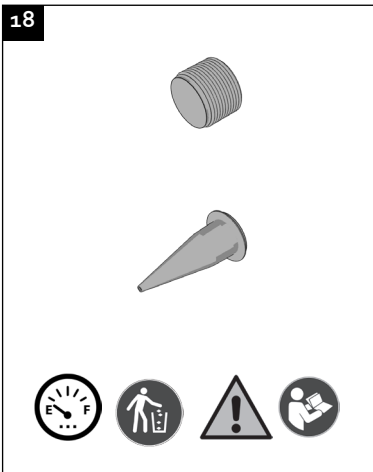
16



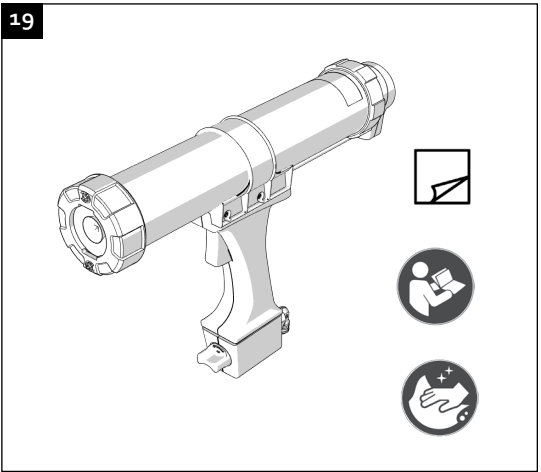
17



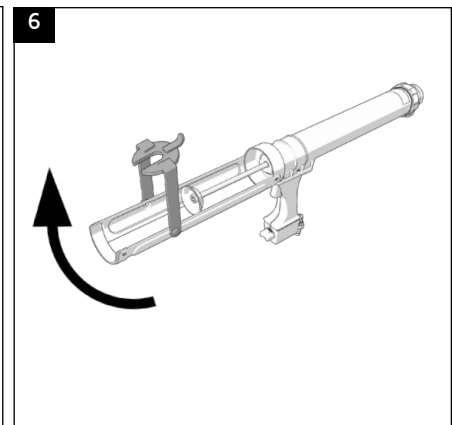
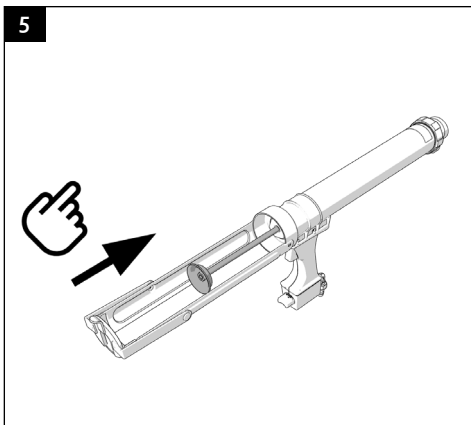
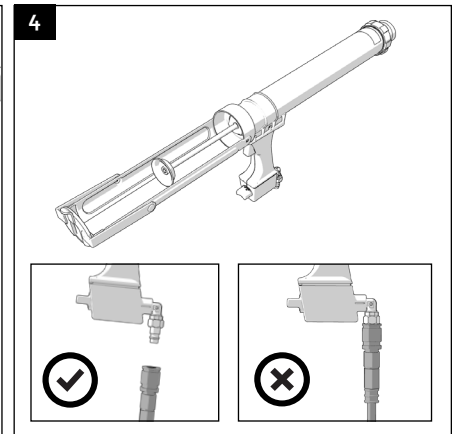
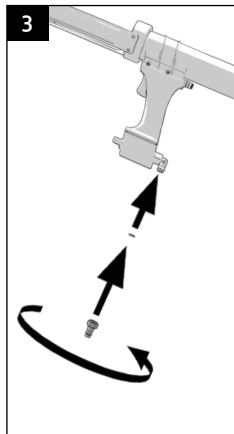
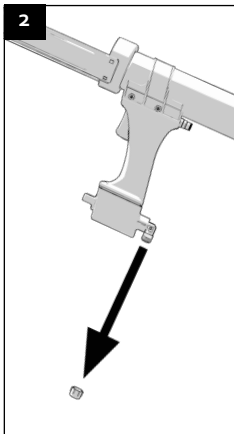
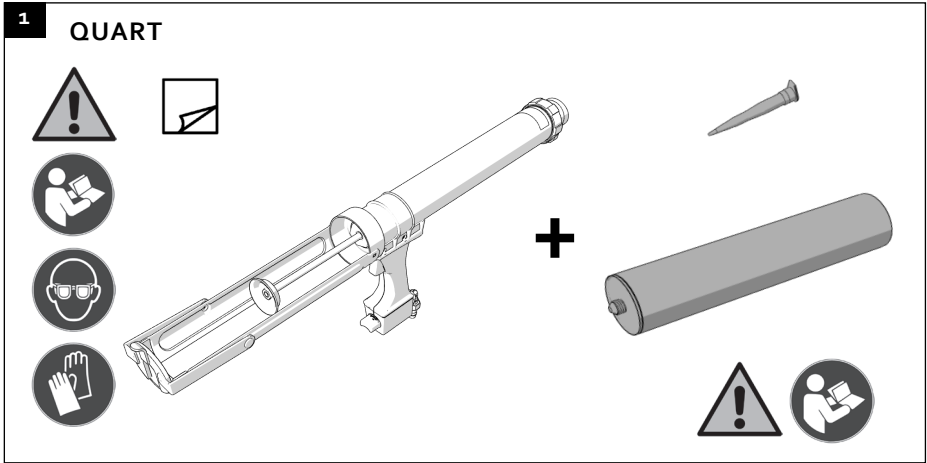
18

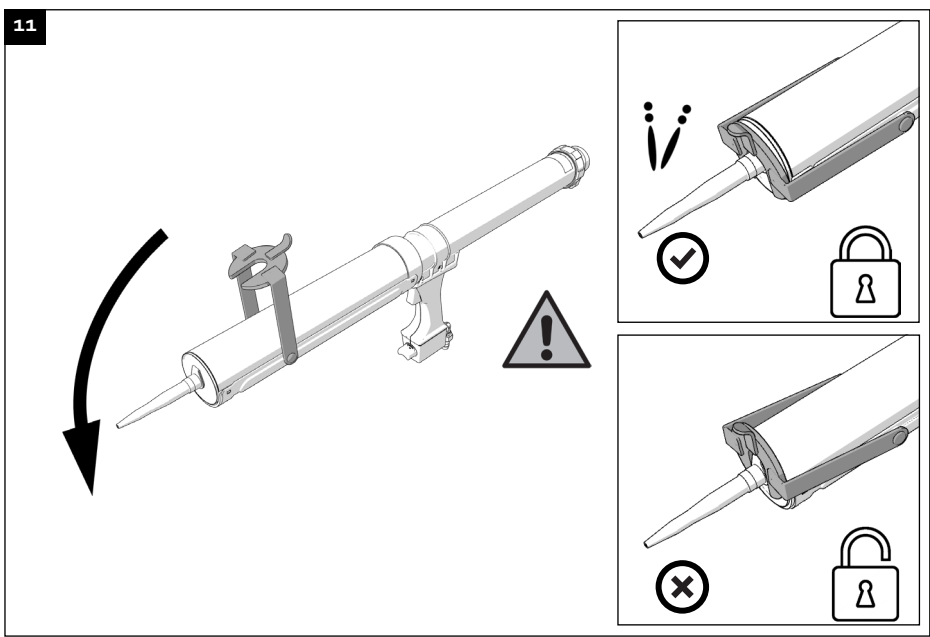
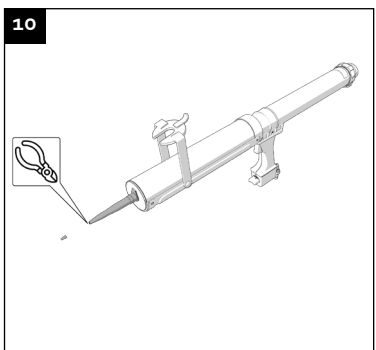
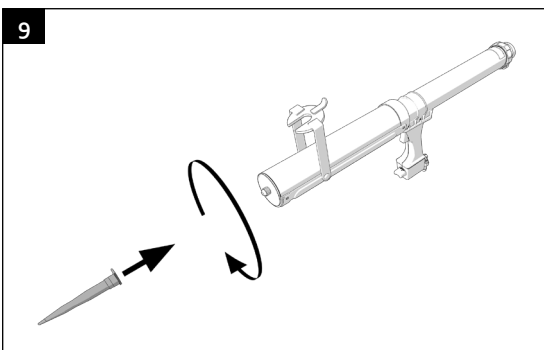
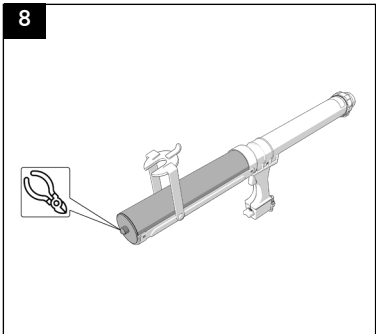
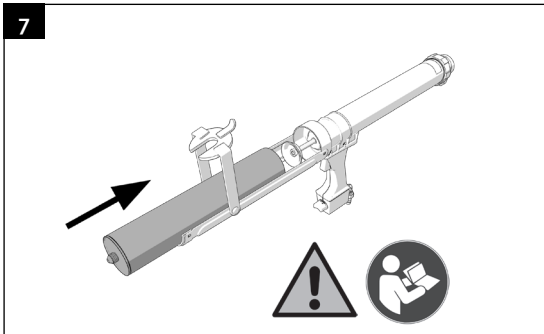


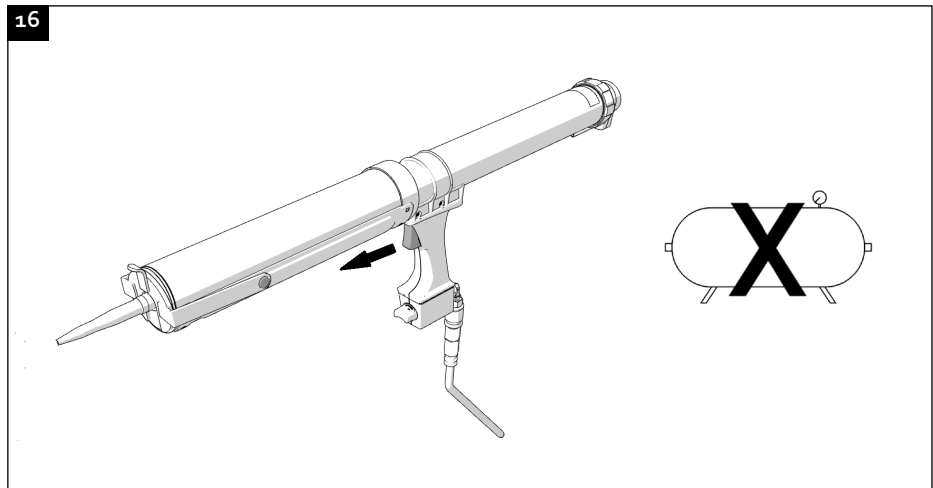
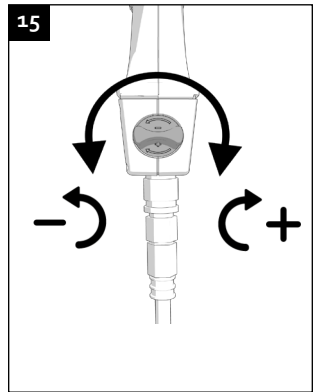
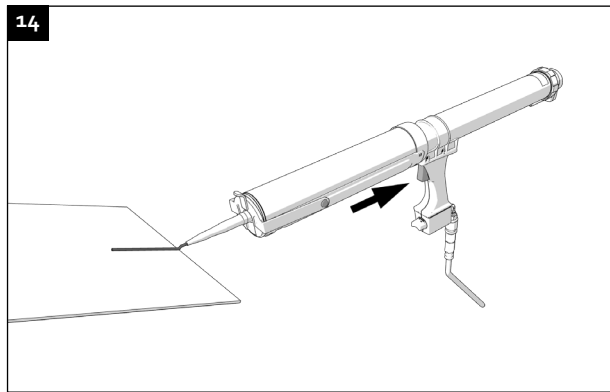
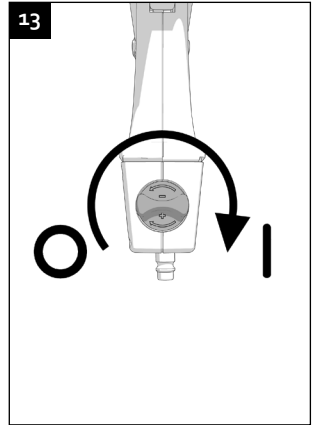
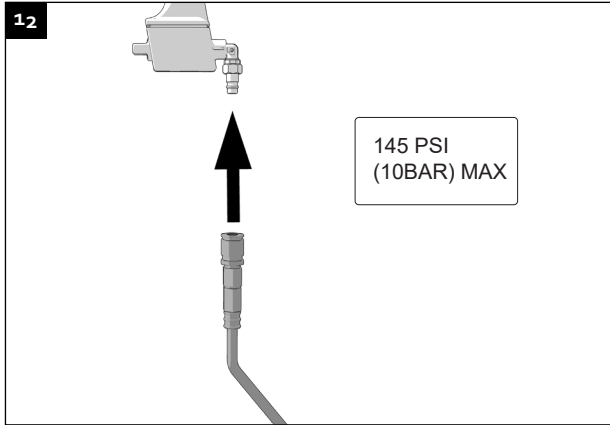
19



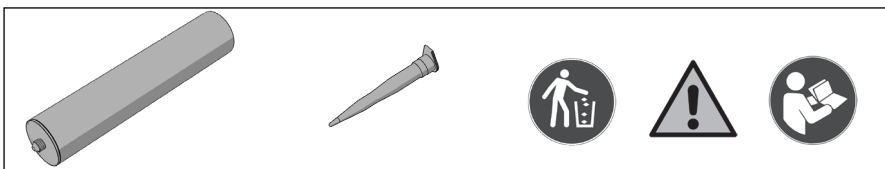
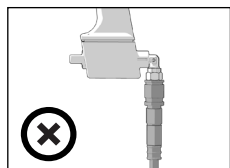
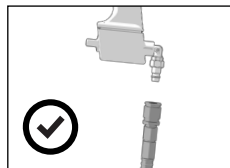
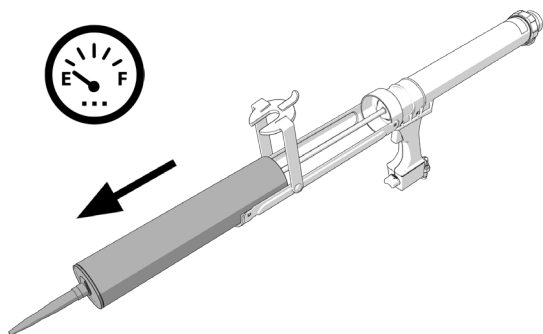
Technical Data		Product(s)		
		Airflow 2 - Sachet 310mL	Airflow 2 - Sachet 400mL	Airflow 2 - Sachet
Max Air Consumption	CFM	6.0	6.5	7.0
Max Operating Pressure	PSI	100	100	100
	Bar	6.8	6.8	6.8
Max Supply Pressure	PSI	145	145	145
	Bar	10	10	10
Operating Temperature Range	Min (°C)	+5	+5	+5
	Max (°C)	+40	+40	+40
	Min (°F)	+41	+41	+41
	Max (°F)	+104	+104	+104
Transport/ Storage Temperature Range	Min (°C)	0	0	0
	Max (°C)	+40	+40	+40
	Min (°F)	+32	+32	+32
	Max (°F)	+104	+104	+104
Relative Air Humidity (non-condensing)	Min (%)	30	30	30
	Max (%)	80	80	80
Air Hose Connection	inch	1/4	1/4	1/4
Size (Height)	mm	242	242	242
	inch	9.5	9.5	9.5
Size (Length)	mm	345	386	492
	inch	13.6	15.2	19.4
Size (Width)	mm	69	69	69
	inch	2.7	2.7	2.7
Weight	kg	0.95	1.02	1.12
	lbs	2.1	2.2	2.5
Sound Pressure	dB(A)	70	70	70
	dB(C)	116	116	116
Vibration	m/s ²	0.0198	0.0198	0.0198



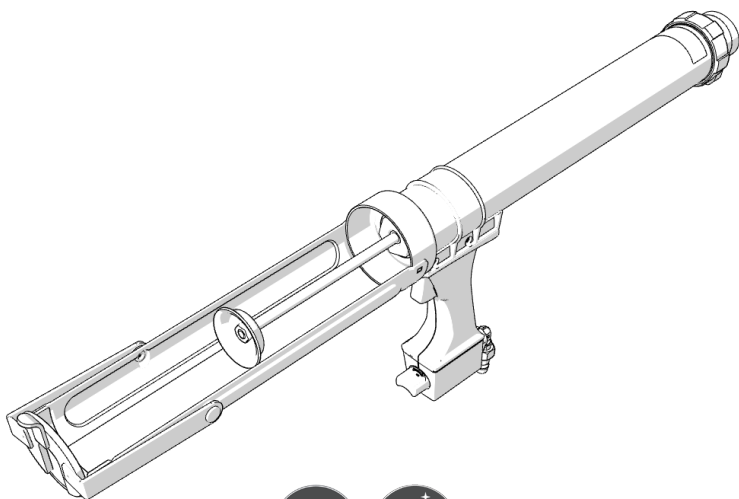




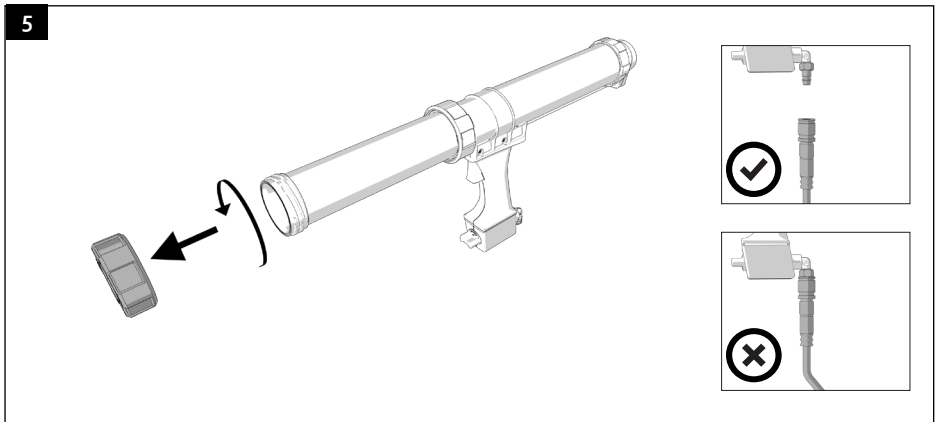
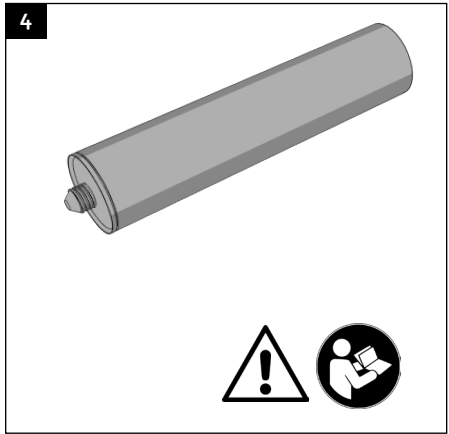
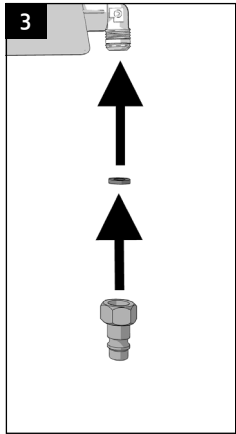
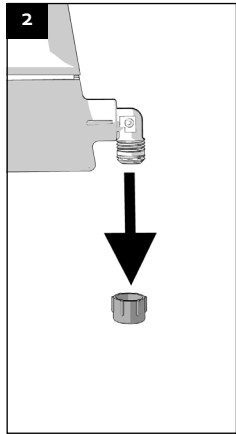
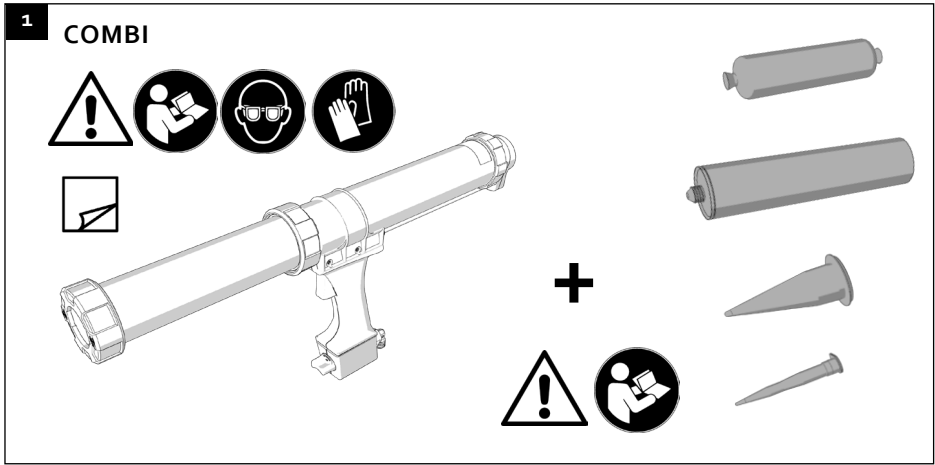
17

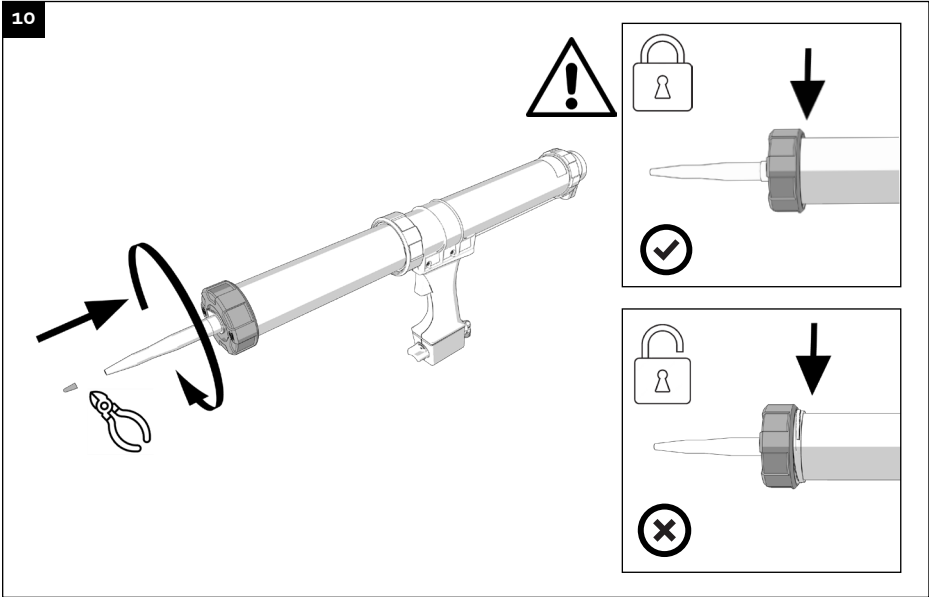
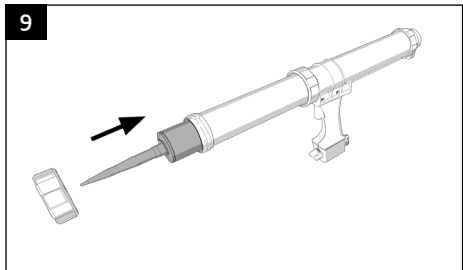
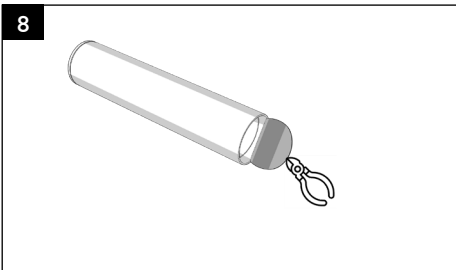
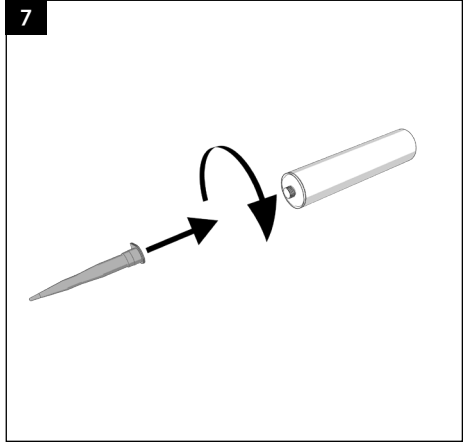
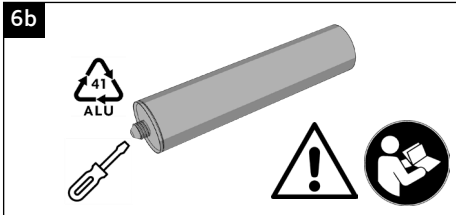
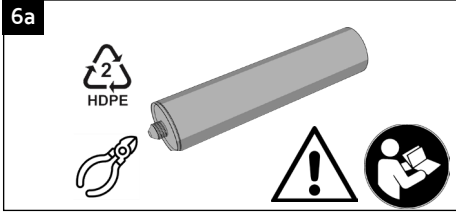


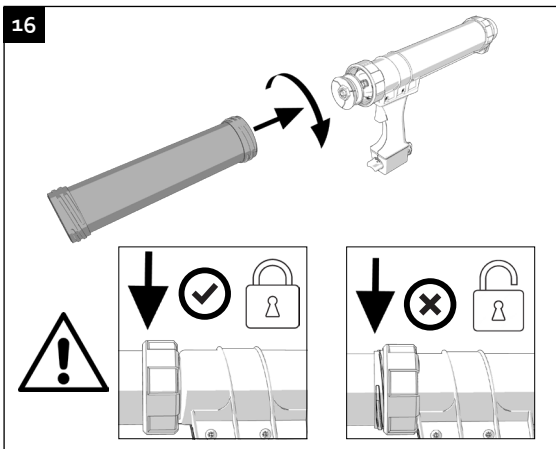
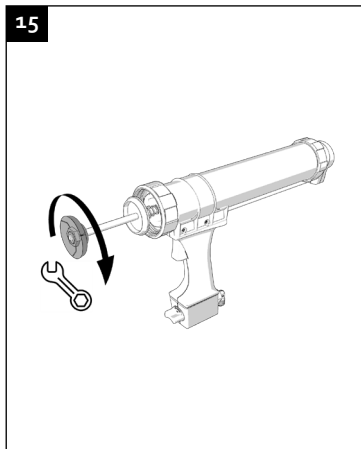
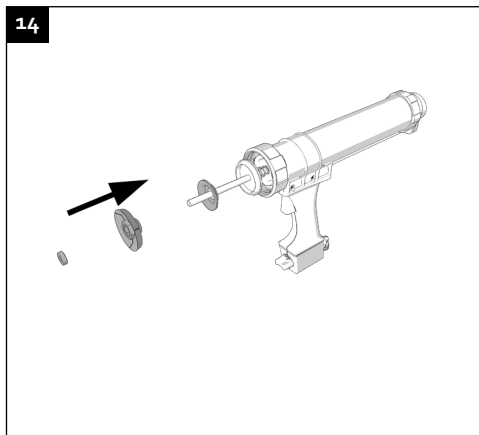
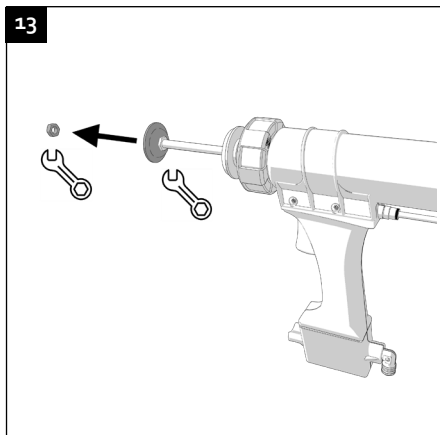
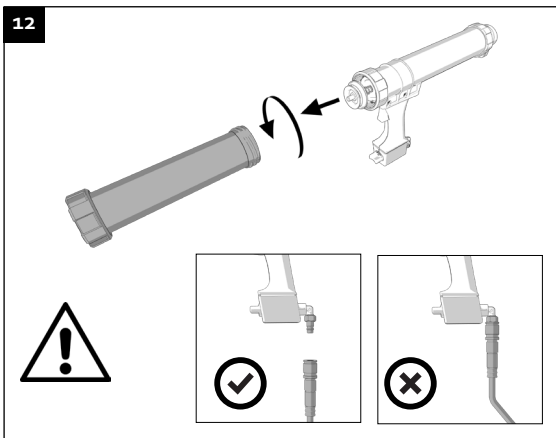
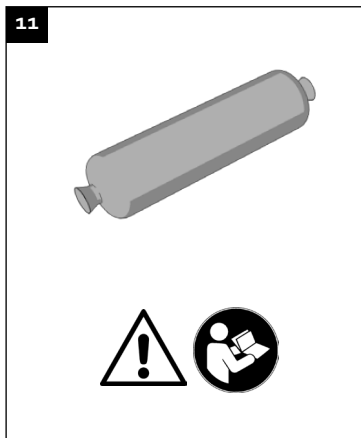
18

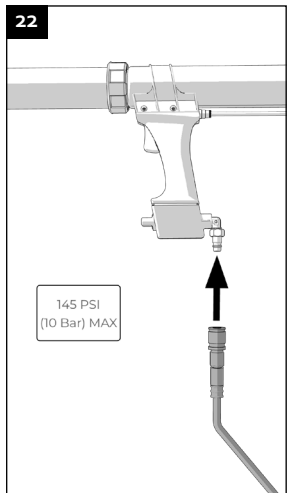
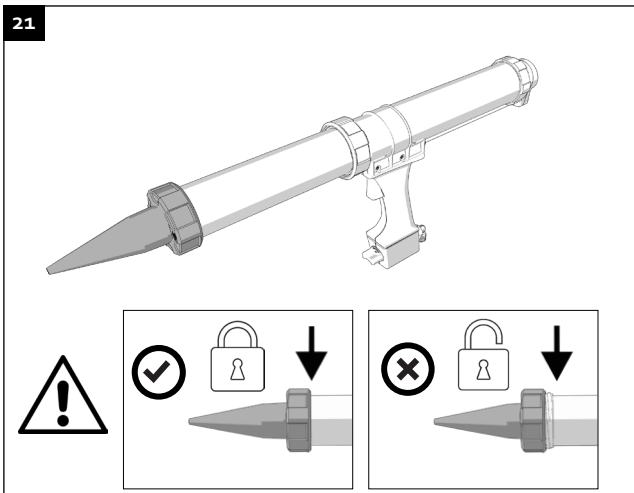
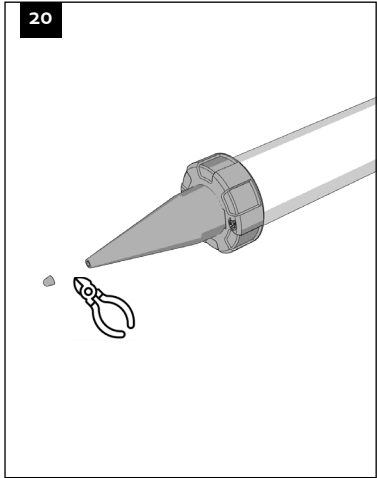
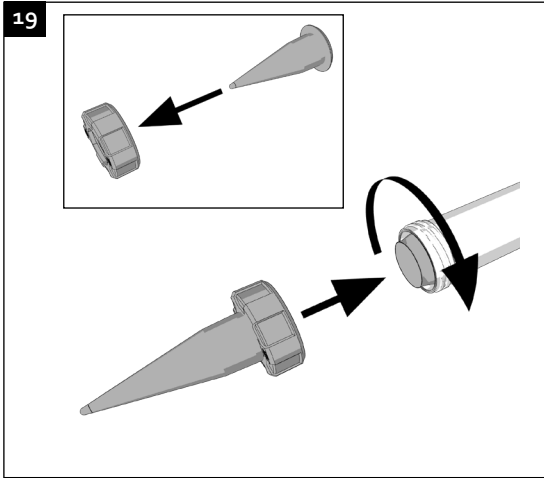
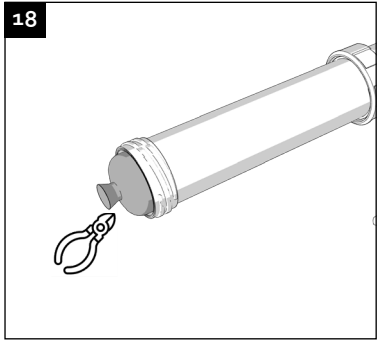
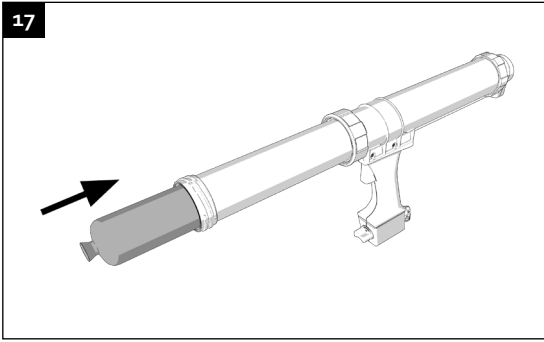


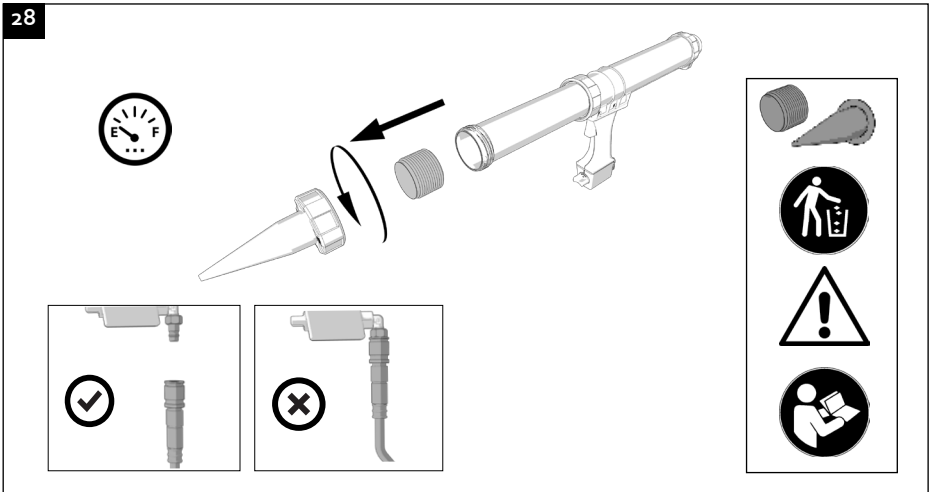
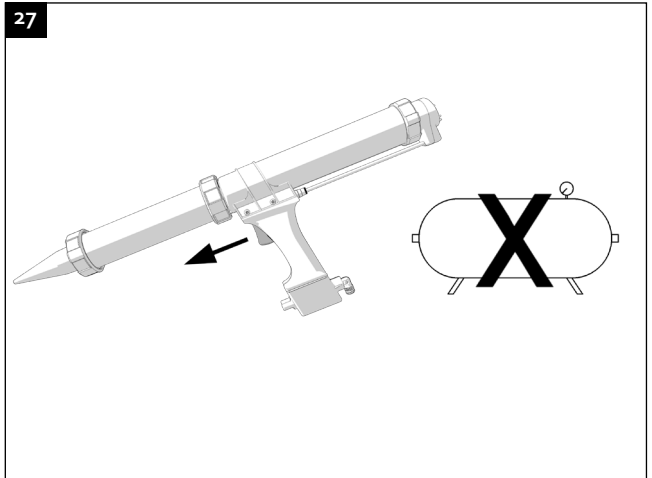
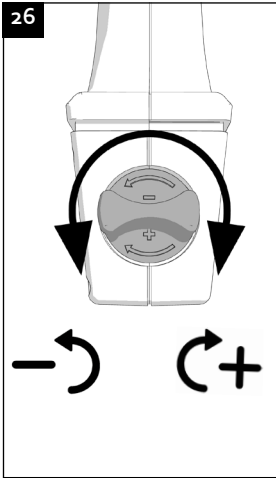
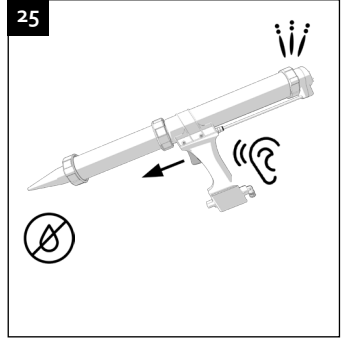
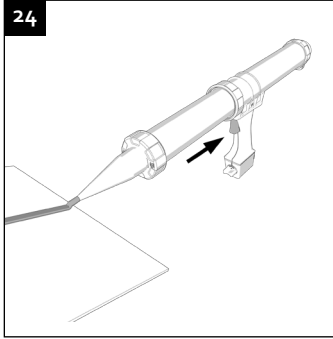
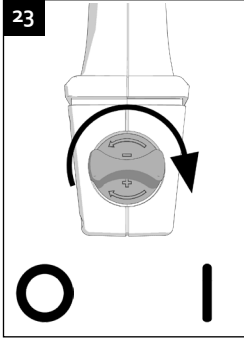
Technical Data		Airflow 2 - Quart Cart
		Max Air Consumption
Max Operating Pressure	PSI	100
	Bar	6.8
Max Supply Pressure	PSI	145
	Bar	10
Operating Temperature Range	Min (°C)	+5
	Max (°C)	+40
	Min (°F)	+41
	Max (°F)	+104
Transport/ Storage Temperature Range	Min (°C)	0
	Max (°C)	+40
	Min (°F)	+32
	Max (°F)	+104
Relative Air Humidity (non-condensing)	Min (%)	30
	Max (%)	80
Air Hose Connection	inch	1/4 BSP male
Size (Height)	mm	243.0
	inch	9.6
Size (Length)	mm	787.0
	inch	30.9
Size (Width)	mm	89.0
	inch	3.5
Weight	kg	1.8
	lbs	3.9
Sound Pressure	dB(A)	70
	dB(C)	116

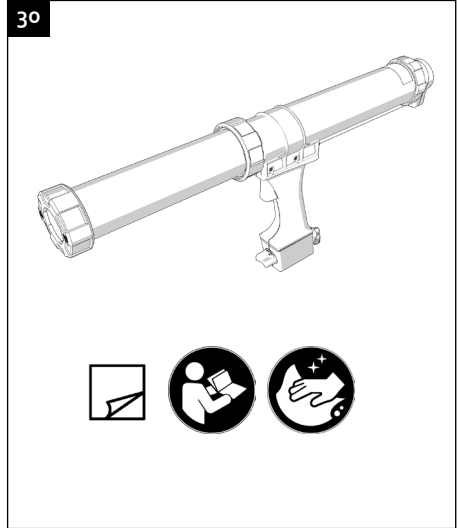
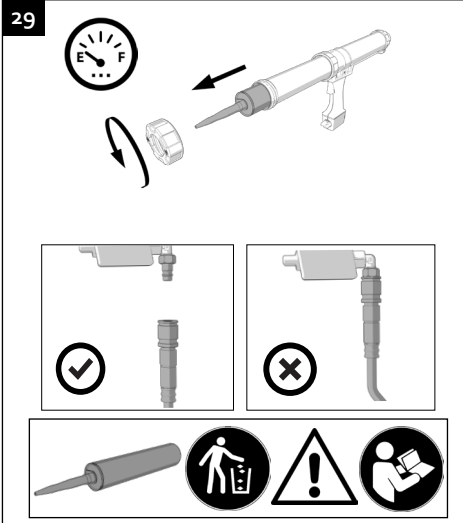




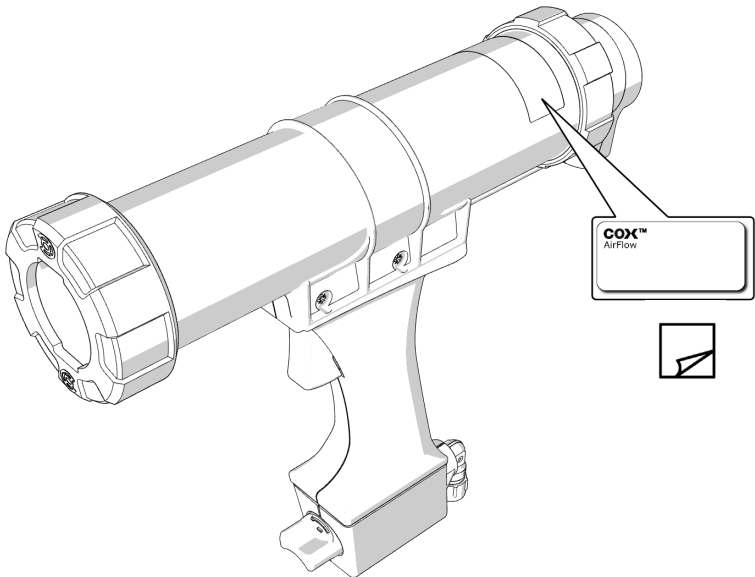
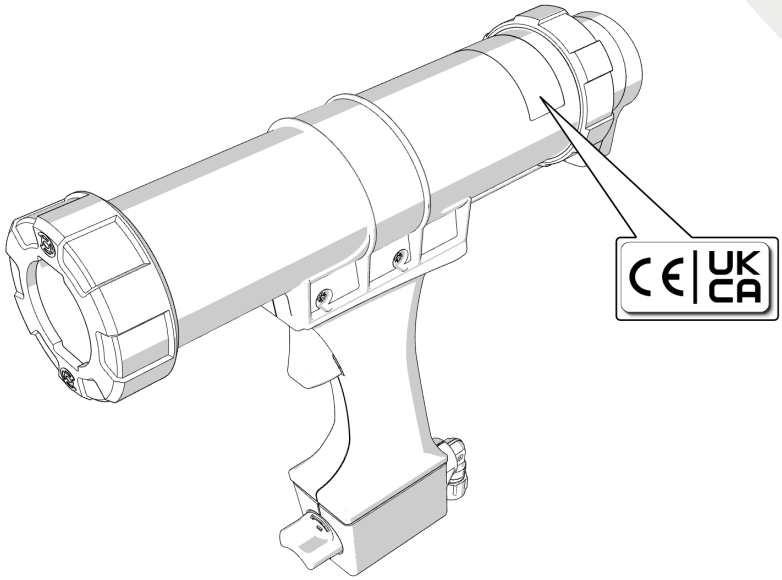








Technical Data		Product(s)		
		Airflow 2 - Combi 310	Airflow 2 - Combi 400	Airflow 2 - Combi 600
Max Air Consumption	CFM	6.5	6.5	6.5
Max Operating Pressure	PSI	100	100	100
	Bar	6.8	6.8	6.8
Max Supply Pressure	PSI	145	145	145
	Bar	10	10	10
Operating Temperature Range	Min (°C)	+5	+5	+5
	Max (°C)	+40	+40	+40
	Min (°F)	+41	+41	+41
	Max (°F)	+104	+104	+104
Transport/ Storage Temperature Range	Min (°C)	0	0	0
	Max (°C)	+40	+40	+40
	Min (°F)	+32	+32	+32
	Max (°F)	+104	+104	+104
Relative Air Humidity (non- condensing)	Min (%)	30	30	30
	Max (%)	80	80	80
Air Hose Connection	inch	1/4 BSP	1/4 BSP	1/4 BSP male
Size (Height)	mm	242	242	242
	inch	9.5	9.5	9.5
Size (Length)	mm	557	633	849
	inch	21.9	24.9	33.4
Size (Width)	mm	69	69	69
	inch	2.7	2.7	2.7
Weight	kg	1.3	1.5	1.64
	lbs	2.8	3.3	3.6
Sound Pressure	dB(A)	70	70	70
	dB(C)	116	116	116



EUROPE

medmix Switzerland AG

Ruetistrasse 7,
9469 Haag, Switzerland
Phone: +41 81 414 70 00
Email: sales.industry@medmix.com
Website: medmix.swiss

EC REP

medmix Deutschland GmbH

Zum Kesselort 53,
24149 Kiel, Germany

USA, SOUTH AMERICA, CANADA AND MEXICO

medmix US Inc.

8 Willow St,
Salem, NH 03079, USA
Phone: +1 603 893 2727
Email: sales.industry@medmix.com
Website: medmix.swiss

UK AND IRELAND

medmix UK Ltd

2 Tealgate, Charnham Park, Hungerford
Berkshire, RG17 0YT, United Kingdom
Phone: +44 (0)1488 647 800
Email: cox-mkorders@medmix.com
Website: coxdispensers.com

ASIA PACIFIC

medmix China Ltd

68 Bei Dou Lu,
Minhang District,
Shanghai 200245, P.R. China
Phone: +86 (21)6430 6868
Email: sales.industry@medmix.com
Website: medmix.swiss

Legal Notice: The information contained in this publication is believed to be accurate and reliable but is not to be construed as implying any warranty or guarantee of performance. We waive any liability and indemnity for effects resulting from its application. All information herein is subject to change without notice.