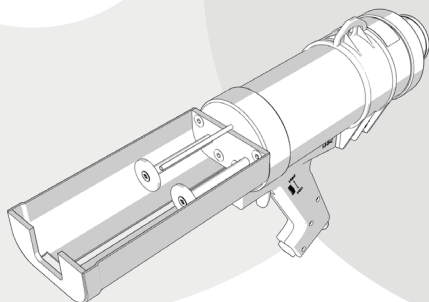
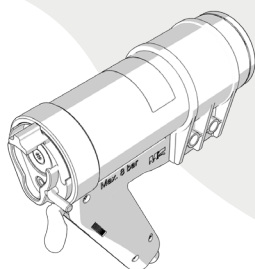
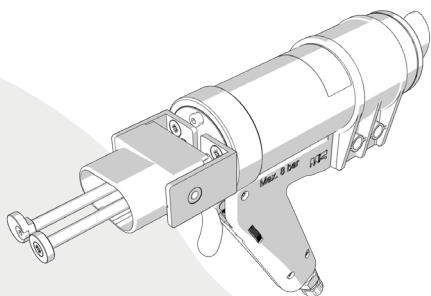




















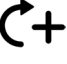








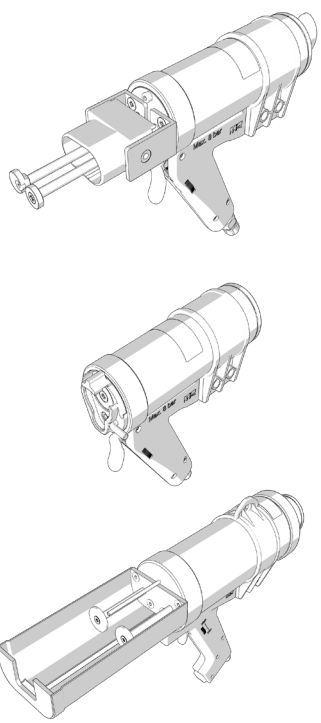
MK™ TS XXX - 2 COMPONENT MATERIAL DISPENSERS



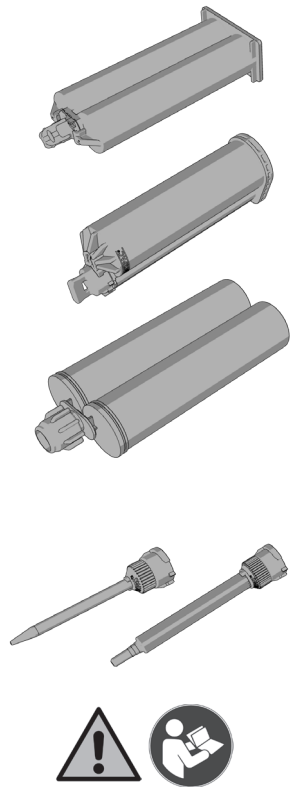
EN	USER HANDBOOK	AT	BENUTZERHANDBUCH	BG	РЪКОВОДСТВО НА ПОТРЕБИТЕЛЯ
CZ	UŽIVATEĽSKÁ PRÍRUČKA	DE	GEBRAUCHSANWEISUNG	DK	BRUGERVEJLEDNING
EE	KASUTUSJUHEND	ES	MANUAL DE USUARIO	FI	KÄYTTÖOPAS
FR	MODE D'EMPLOI	GR	ΕΓΧΕΙΡΙΔΙΟ ΧΡΗΣΗΣ	HR	KORISNIČKI PRIRUČNIK
HU	FELHASZNÁLÓI KÉZIKÖNYV	IT	GUIDA UTENTE	JA	ユーザーマニュアル
LT	NAUDOTOJO VADOVAS	LV	LIETOTĀJA ROKASGRĀMATA	NL	GEBRUIKSAANWIJZING
NO	BRUKERHÅNDBOK	PO	INSTRUKCJA OBSŁUGI	PT	MANUAL DO USUÁRIO
RO	MANUALUL UTILIZATORULUI	SE	BRUKSANVISNING	SI	NAVODILA ZA UPORABO
SK	UŽIVATEĽSKÁ PRÍRUČKA	TR	KULLANIM KILAVUZU	ZH	用戶手冊

Legend			
Clean with cloth		Full	
Hand crush		Nearly empty	
Read handbook		Use screwdriver	
Wear safety goggles		Use snips	
Wear safety gloves		Use pliers	
Disposal		Push	
Warning		Not OK	
Off		OK	
On		Lock	
Decrease flow		No lock	
Increase flow		Inspect label, replace if necessary	
Listen		Interruption of air supply	
Noise			
Anti drip			
Empty			

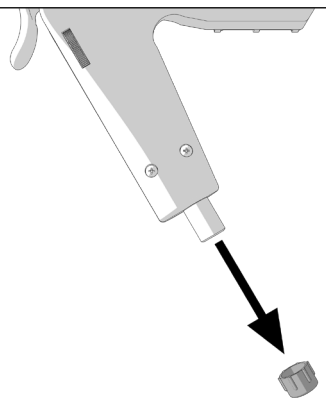
1



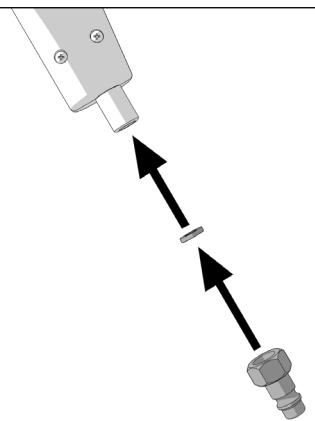
+

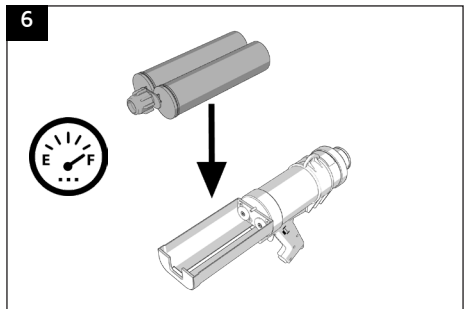
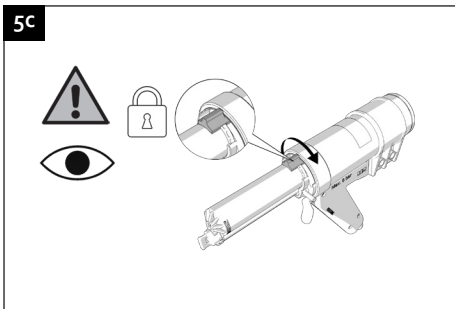
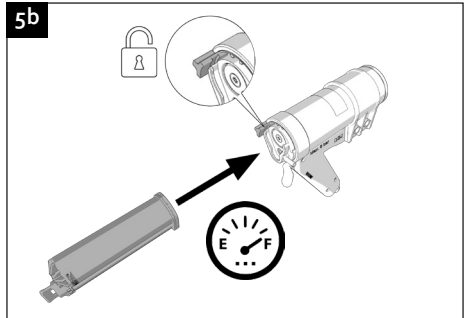
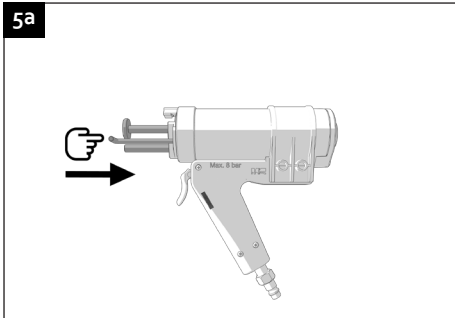
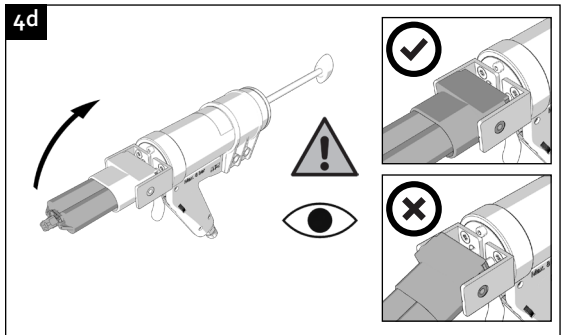
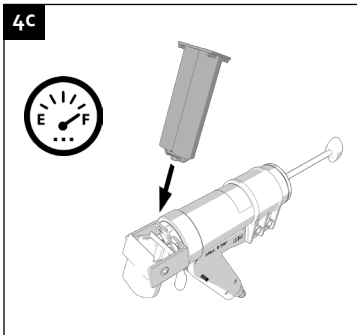
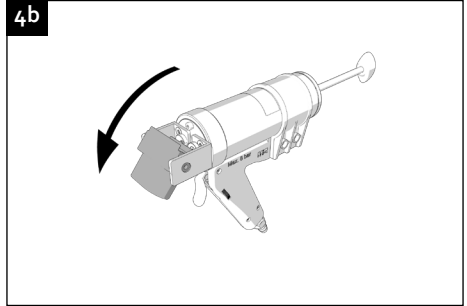
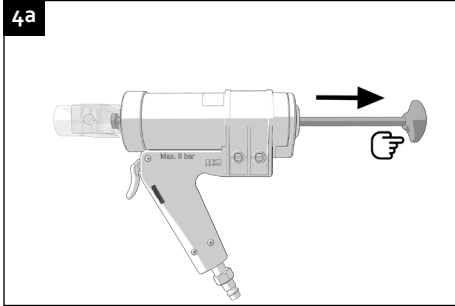


2

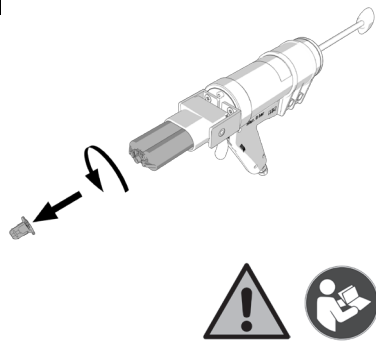


3

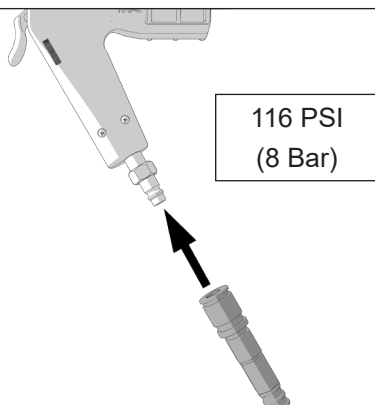




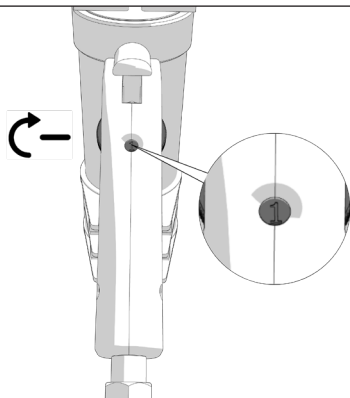
7



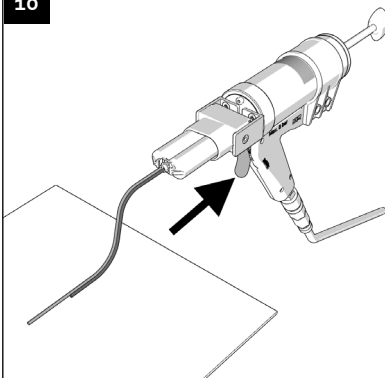
8



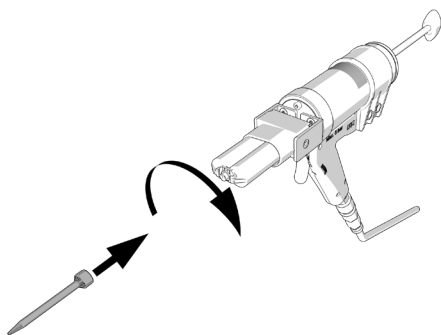
9



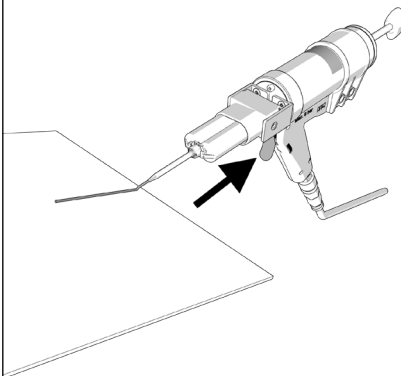
10

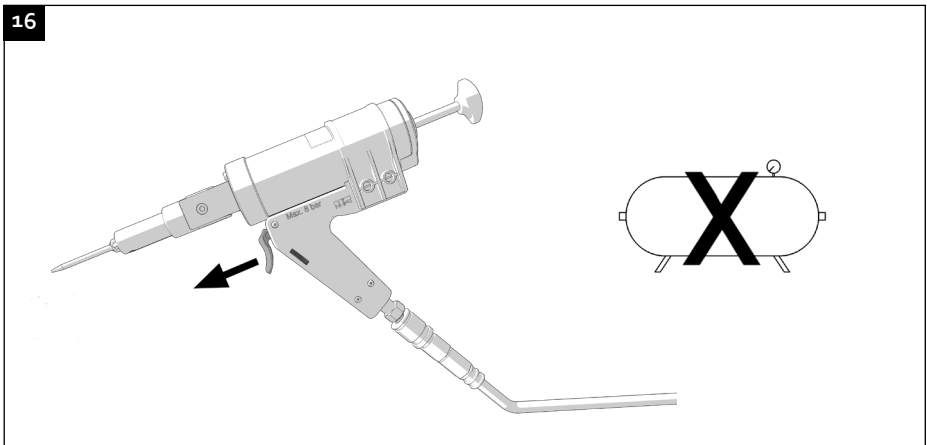
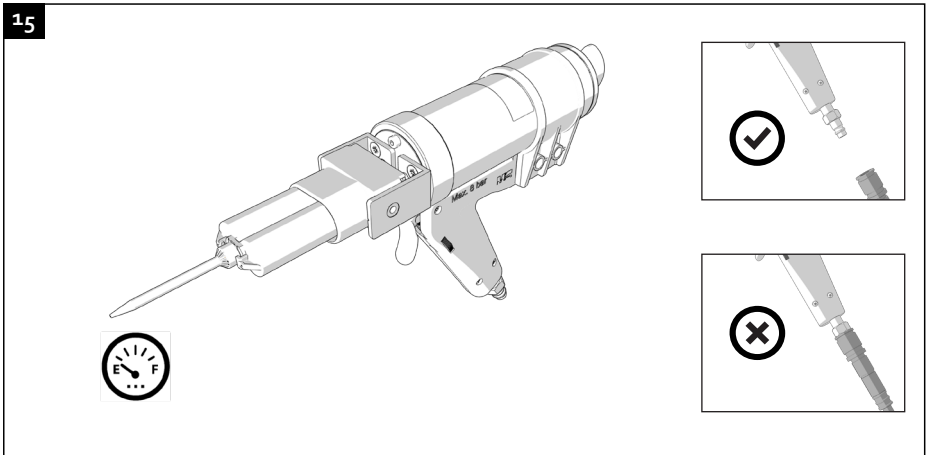
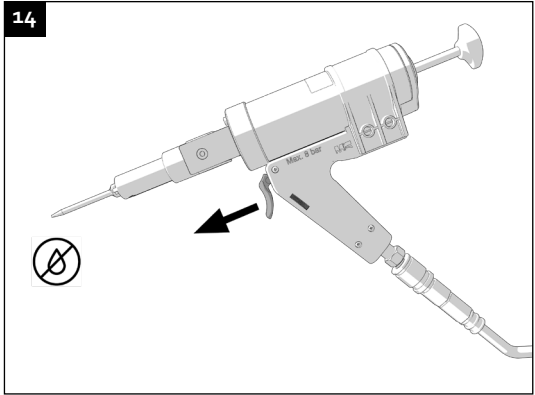
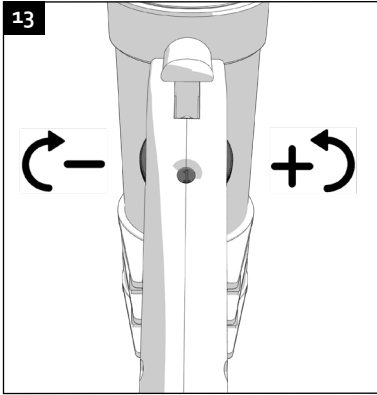


11

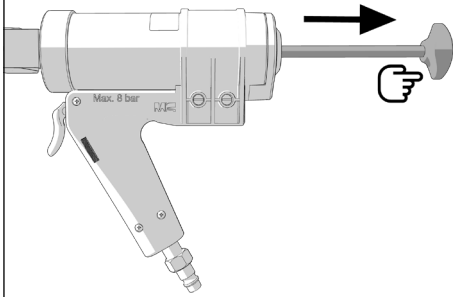


12

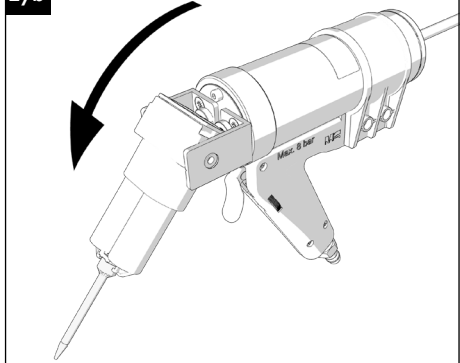




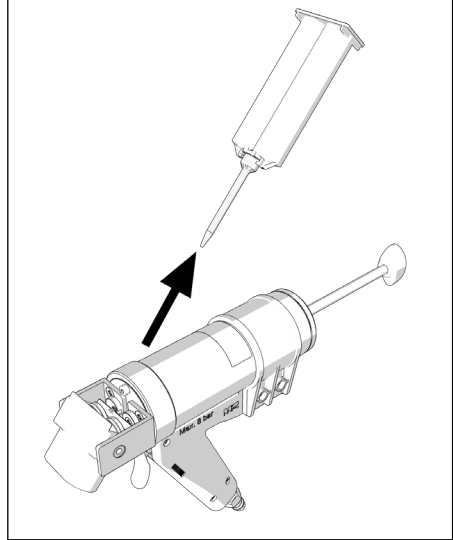
17a



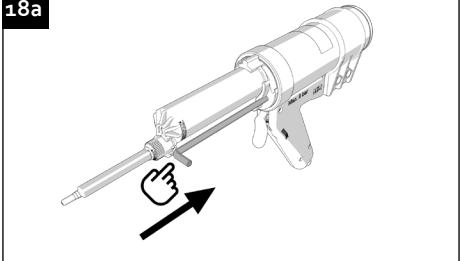
17b



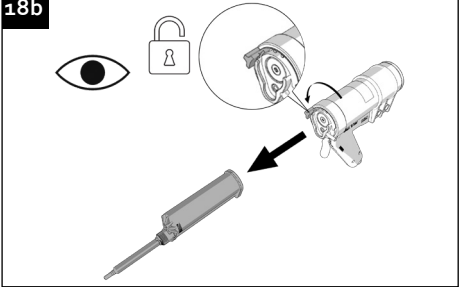
17c



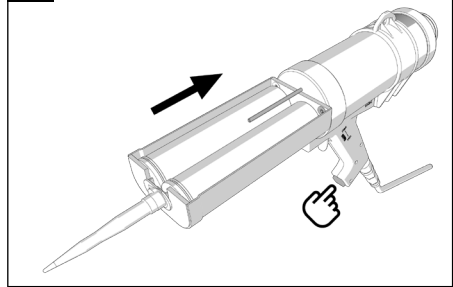
18a



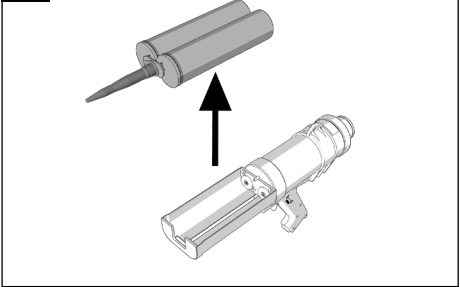
18b



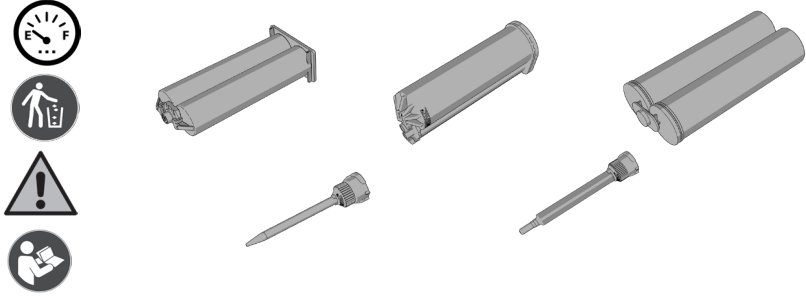
19a



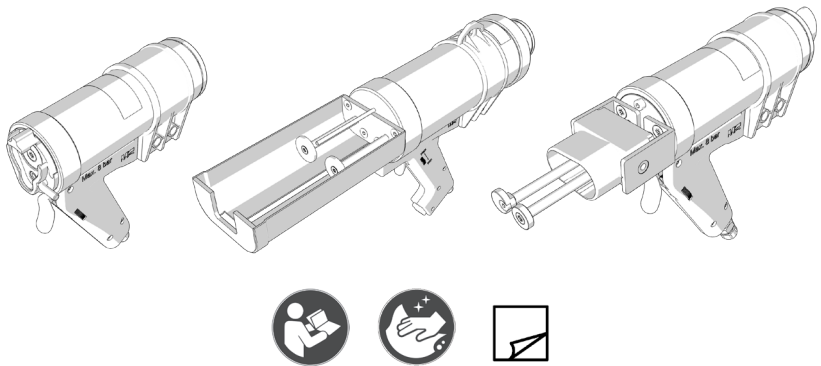
19b

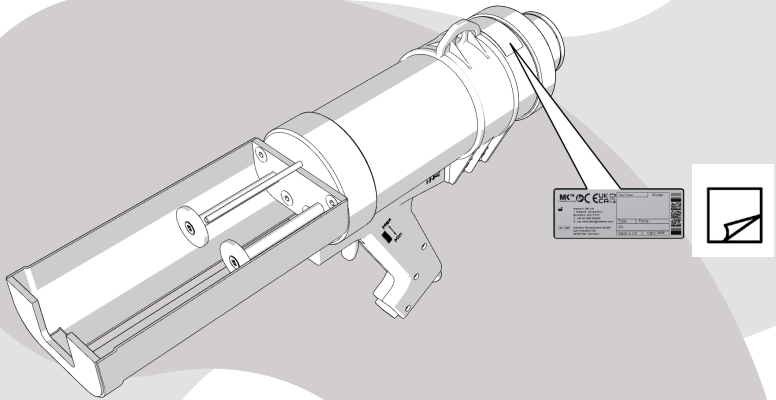
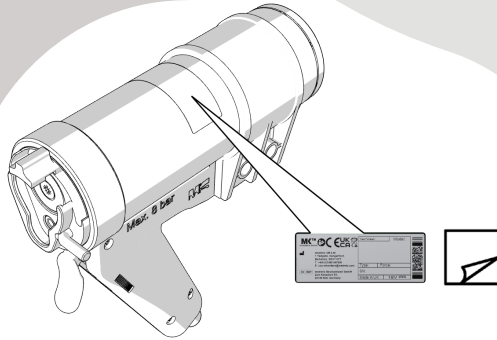
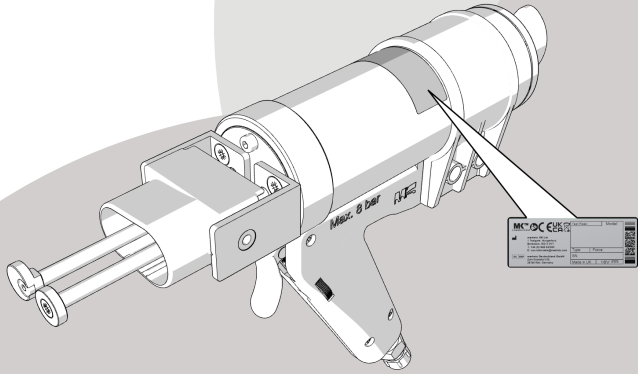


20



21





Technical Data		Product			
		TS408 HM - 101	TS408 MY-8	TS408M - 75	TS408 EM
Max Air Consumption	CFM	1.41	1.41	1.41	1.41
Max Operating Pressure	PSI	116	116	116	116
	Bar	8	8	8	8
Max Supply Pressure	PSI	116	116	116	116
	Bar	8	8	8	8
Operating Temperature Range	Min (°C)	+5	+5	+5	+5
	Max (°C)	+40	+40	+40	+40
	Min (°F)	+41	+41	+41	+41
	Max (°F)	+104	+104	+104	+104
Transport/ Storage Temperature Range	Min (°C)	0	0	0	0
	Max (°C)	+40	+40	+40	+40
	Min (°F)	+32	+32	+32	+32
	Max (°F)	+104	+104	+104	+104
Relative Air Humidity (non-condensing)	Min (%)	30	30	30	30
	Max (%)	80	80	80	80
Air Hose Connection	inch	1/4	1/4	1/4	1/4
Size (Height)	mm	191	191	191	195
	inch	7.5	7.5	7.5	7.7
Size (Length)	mm	184	303	390	232
	inch	7.2	11.9	11.9	9.1
Size (Width)	mm	63	61	61	61
	inch	2.5	2.4	2.4	2.4
Weight	kg	0.73	0.73	0.73	0.73
	lbs	1.6	1.6	1.6	1.6
Sound Pressure	dB(A)	66.7	66.7	66.7	66.7
	dB(C)	85.1	85.1	85.1	85.1
Vibration	m/s ²	0.567	0.567	0.567	0.567

Technical Data		Product			
		TS408 BM	TS483 XM	TS483 LXM	TS459 LXS
Max Air Consumption	CFM	1.41	1.41	1.41	1.41
Max Operating Pressure	PSI	116	116	116	116
	Bar	8	8	8	8
Max Supply Pressure	PSI	116	116	116	116
	Bar	8	8	8	8
Operating Temperature Range	Min (°C)	+5	+5	+5	+5
	Max (°C)	+40	+40	+40	+40
	Min (°F)	+41	+41	+41	+41
	Max (°F)	+104	+104	+104	+104
Transport/ Storage Temperature Range	Min (°C)	0	0	0	0
	Max (°C)	+40	+40	+40	+40
	Min (°F)	+32	+32	+32	+32
	Max (°F)	+104	+104	+104	+104
Relative Air Humidity (non-condensing)	Min (%)	30	30	30	30
	Max (%)	80	80	80	80
Air Hose Connection	inch	1/4	1/4	1/4	1/4
Size (Height)	mm	191	264	230	??
	inch	7.5	10.5	9.0	??
Size (Length)	mm	344	474	478	550
	inch	13.5	18.7	18.8	21.7
Size (Width)	mm	61	99	99	93
	inch	2.4	3.9	3.9	3.7
Weight	kg	0.73	2.6	2.6	2.69
	lbs	1.6	5.6	5.6	5.9
Sound Pressure	dB(A)	66.7	73	71	76.3
	dB(C)	85.1	103	103	104
Vibration	m/s ²	0.567			

Technical Data		Product			
		TS459 XM	TS444 KX	TS447 X-625	TS488 X
Max Air Consumption	CFM	1.41	1.41	1.41	1.41
Max Operating Pressure	PSI	116	116	116	116
	Bar	8	8	8	8
Max Supply Pressure	PSI	116	116	116	116
	Bar	8	8	8	8
Operating Temperature Range	Min (°C)	+5	+5	+5	+5
	Max (°C)	+40	+40	+40	+40
	Min (°F)	+41	+41	+41	+41
	Max (°F)	+104	+104	+104	+104
Transport/ Storage Temperature Range	Min (°C)	0	0	0	0
	Max (°C)	+40	+40	+40	+40
	Min (°F)	+32	+32	+32	+32
	Max (°F)	+104	+104	+104	+104
Relative Air Humidity (non-condensing)	Min (%)	30	30	30	30
	Max (%)	80	80	80	80
Air Hose Connection	inch	1/4	1/4	1/4	1/4
Size (Height)	mm	246	247	284	246
	inch	9.7	9.7	11.2	9.7
Size (Length)	mm	546	599	585	580
	inch	21.5	23.6	23.0	22.8
Size (Width)	mm	94	98	112	100
	inch	3.7	3.9	4.4	3.94
Weight	kg	2.69	3.05	3.53	2.5
	lbs	5.9	6.8	7.87	5.5
Sound Pressure	dB(A)	76.3	76.28	76.28	76.28
	dB(C)	104	104	104	104
Vibration	m/s ²				

Technical Data		Product			
		TS488 XM	TS493	TS493 XT	TS471
Max Air Consumption	CFM	1.41	1.41	1.41	1.41
Max Operating Pressure	PSI	116	116	116	116
	Bar	8	8	8	8
Max Supply Pressure	PSI	116	116	116	116
	Bar	8	8	8	8
Operating Temperature Range	Min (°C)	+5	+5	+5	+5
	Max (°C)	+40	+40	+40	+40
	Min (°F)	+41	+41	+41	+41
	Max (°F)	+104	+104	+104	+104
Transport/ Storage Temperature Range	Min (°C)	0	0	0	0
	Max (°C)	+40	+40	+40	+40
	Min (°F)	+32	+32	+32	+32
	Max (°F)	+104	+104	+104	+104
Relative Air Humidity (non-condensing)	Min (%)	30	30	30	30
	Max (%)	80	80	80	80
Air Hose Connection	inch	1/4	1/4	1/4	1/4
Size (Height)	mm	264	246	246	310
	inch	10.4	9.7	9.7	12.2
Size (Length)	mm	564	535	535	601
	inch	22.2	21.1	21.1	23.7
Size (Width)	mm	103	106	106	132
	inch	4.15	4.2	4.2	5.2
Weight	kg	2.5	2.6	2.6	3.95
	lbs	5.5	5.6	5.6	8.8
Sound Pressure	dB(A)	76.28	76.28	76.28	76.28
	dB(C)	104	104	104	104
Vibration	m/s ²				

EUROPE

medmix Switzerland AG

Ruetistrasse 7,
9469 Haag, Switzerland
Phone: +41 81 414 70 00
Email: sales.industry@medmix.com
Website: medmix.swiss

EC REP

medmix Deutschland GmbH

Zum Kesselort 53,
24149 Kiel, Germany

USA, SOUTH AMERICA, CANADA AND MEXICO

medmix US Inc.

8 Willow St,
Salem, NH 03079, USA
Phone: +1 603 893 2727
Email: sales.industry@medmix.com
Website: medmix.swiss

UK AND IRELAND

medmix UK Ltd

2 Tealgate, Charnham Park, Hungerford
Berkshire, RG17 0YT, United Kingdom
Phone: +44 (0)1488 647 800
Email: cox-mkorders@medmix.com
Website: coxdispensers.com

ASIA PACIFIC

medmix China Ltd

68 Bei Dou Lu,
Minhang District,
Shanghai 200245, P.R. China
Phone: +86 (21)6430 6868
Email: sales.industry@medmix.com
Website: medmix.swiss

Legal Notice: The information contained in this publication is believed to be accurate and reliable but is not to be construed as implying any warranty or guarantee of performance. We waive any liability and indemnity for effects resulting from its application. All information herein is subject to change without notice.