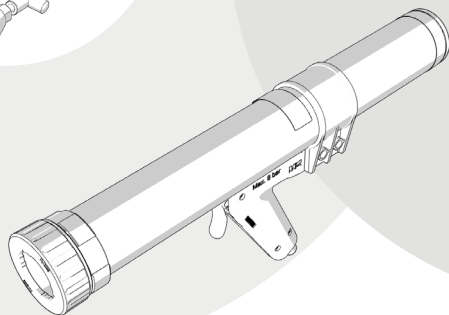
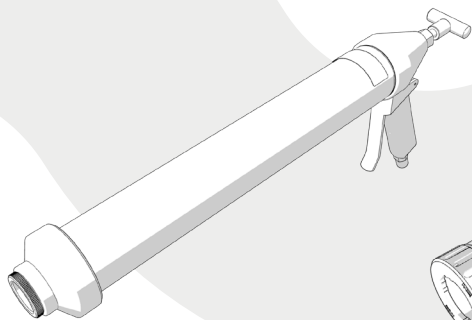
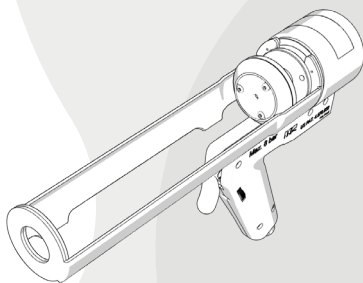
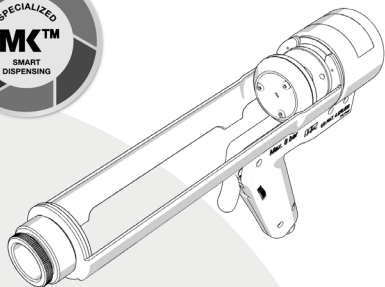


MK™ T16 X, T16 UX, T20, T22 XP MATERIAL DISPENSERS



EN	USER HANDBOOK	AT	BENUTZERHANDBUCH	BG	РЪКОВОДСТВО НА ПОТРЕБИТЕЛЯ
CZ	UŽIVATELSKÁ PŘÍRUČKA	DE	GEBRAUCHSANWEISUNG	DK	BRUGERVEJLEDNING
EE	KASUTUSJUHEND	ES	MANUAL DE USUARIO	FI	KÄYTTÖOPAS
FR	MODE D'EMPLOI	GR	ΕΓΧΕΙΡΙΔΙΟ ΧΡΗΣΗΣ	HR	KORISNIČKI PRIRUČNIK
HU	FELHASZNÁLÓI KÉZIKÖNYV	IT	GUIDA UTENTE	JA	ユーザーマニュアル
LT	NAUDOTOJO VADOVAS	LV	LIETOTĀJA ROKASGRĀMATA	NL	GEBRUIKSAANWIJZING
NO	BRUKERHÅNDBOK	PO	INSTRUKCJA OBSŁUGI	PT	MANUAL DO USUÁRIO
RO	MANUALUL UTILIZATORULUI	SE	BRUKSANVISNING	SI	NAVODILA ZA UPORABO
SK	UŽIVATELSKÁ PŘÍRUČKA	TR	KULLANIM KILAVUZU	ZH	用戶手冊

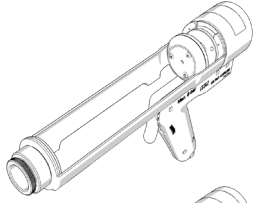
Legend

Clean with cloth		Full	
Hand crush		Nearly empty	
Read handbook		Use screwdriver	
Wear safety goggles		Use snips	
Wear safety gloves		Use pliers	
Disposal		Push	
Warning		Not OK	
Off		OK	
On		Lock	
Decrease flow		No lock	
Increase flow		Inspect label, replace if necessary	
Listen		Interruption of air supply	
Noise			
Anti drip			
Empty			

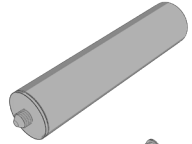
1



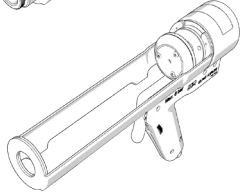
T16X



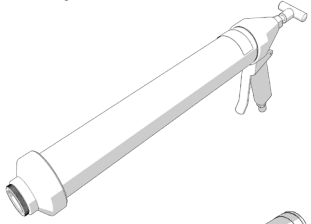
+



T16UX



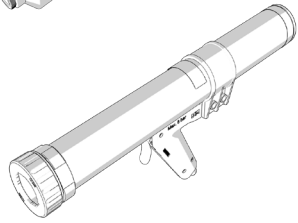
T20



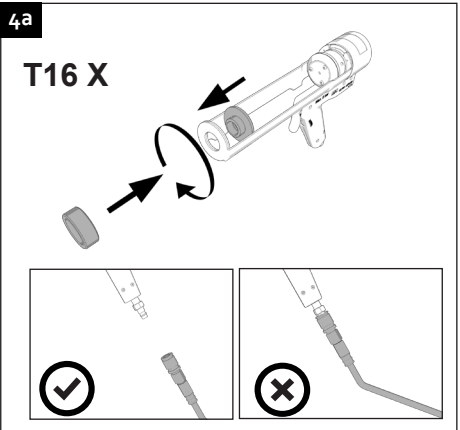
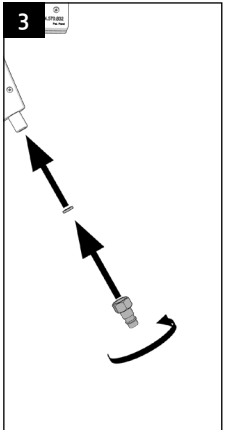
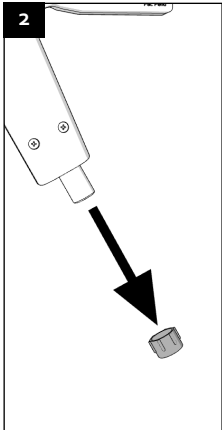
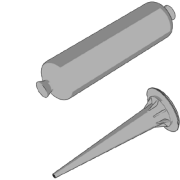
+

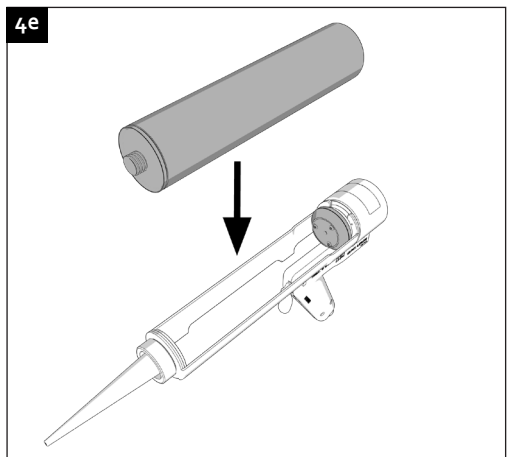
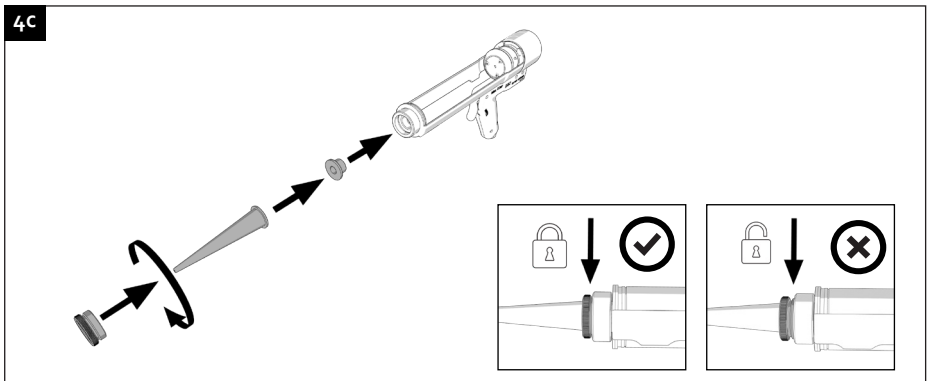
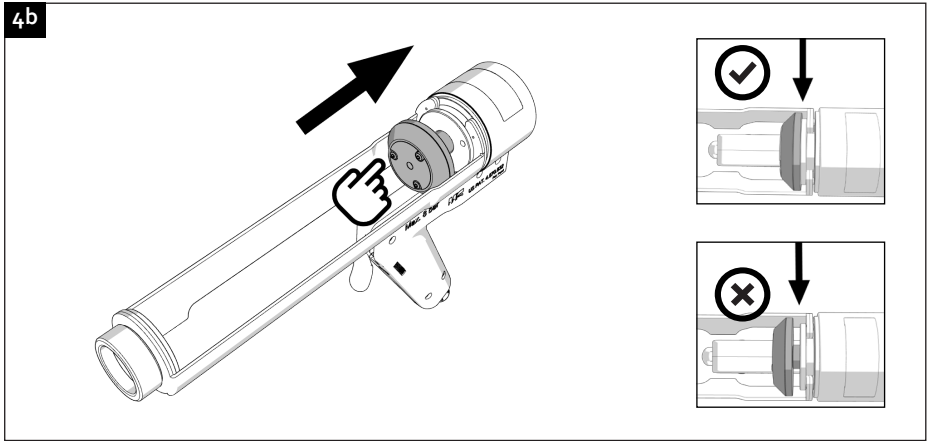


T22XP



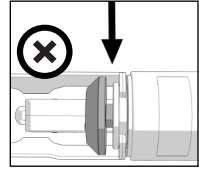
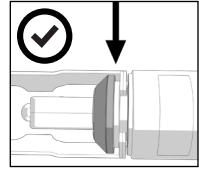
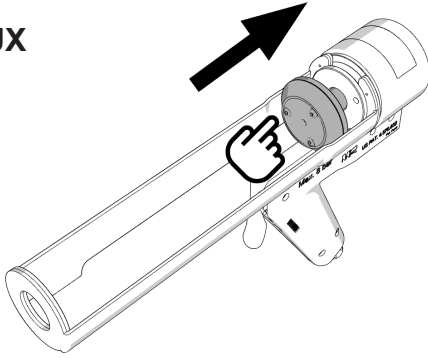
+



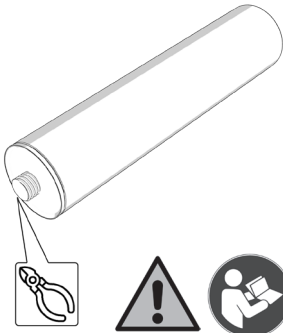


5a

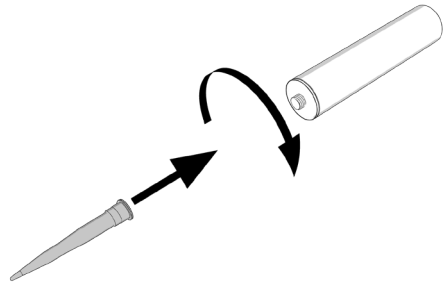
T16 UX



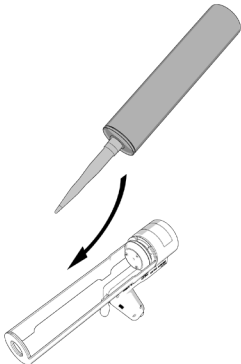
5b



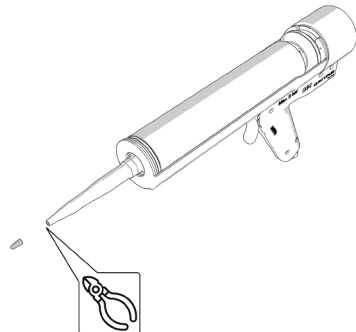
5c



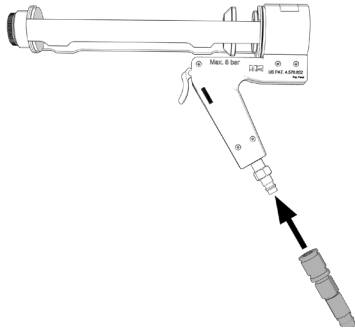
5d



5e

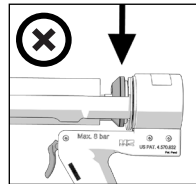
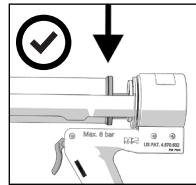
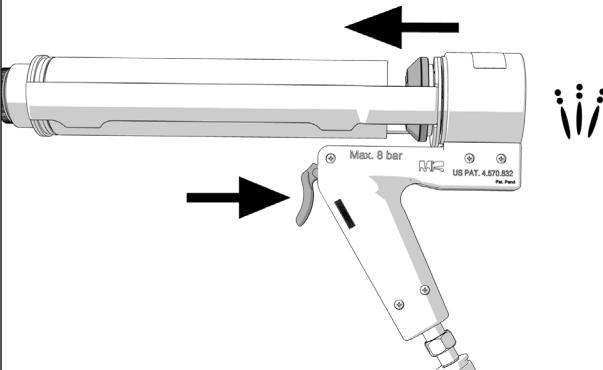


6



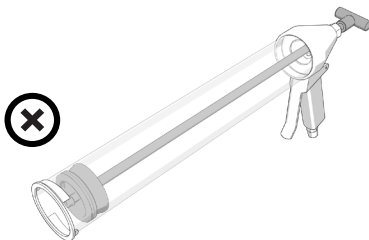
116 PSI
(8 BAR) MAX

7

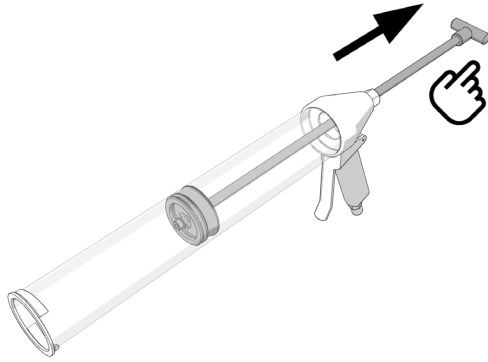


8a

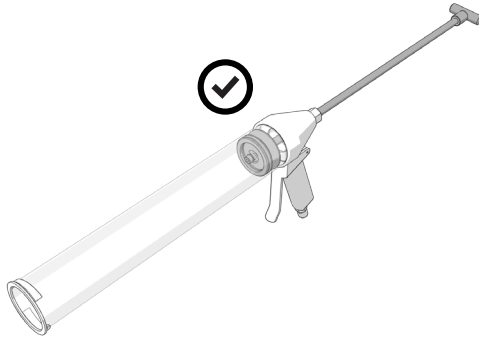
T20



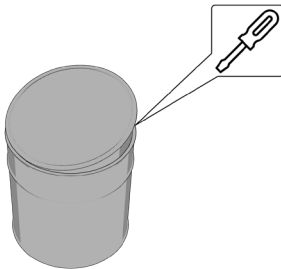
8b



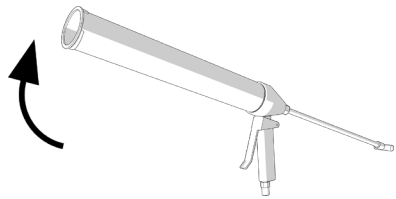
8c

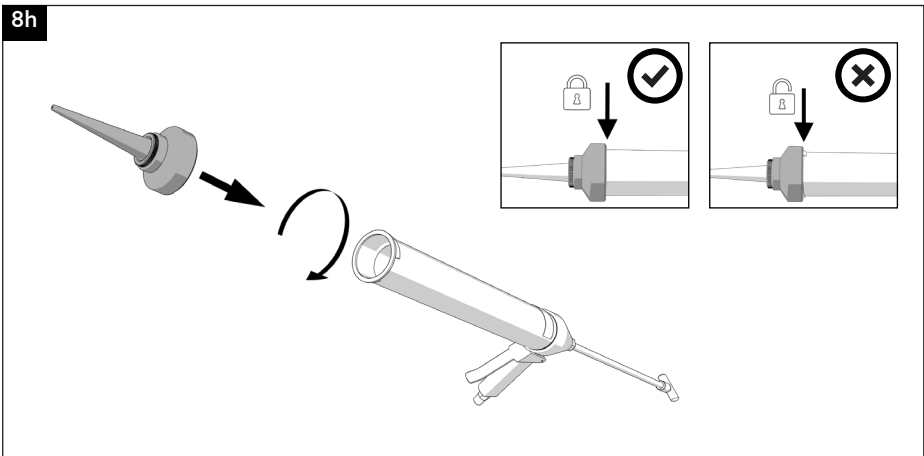
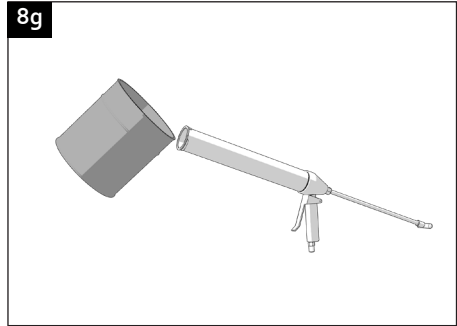
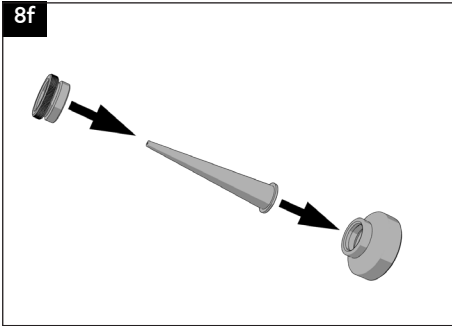


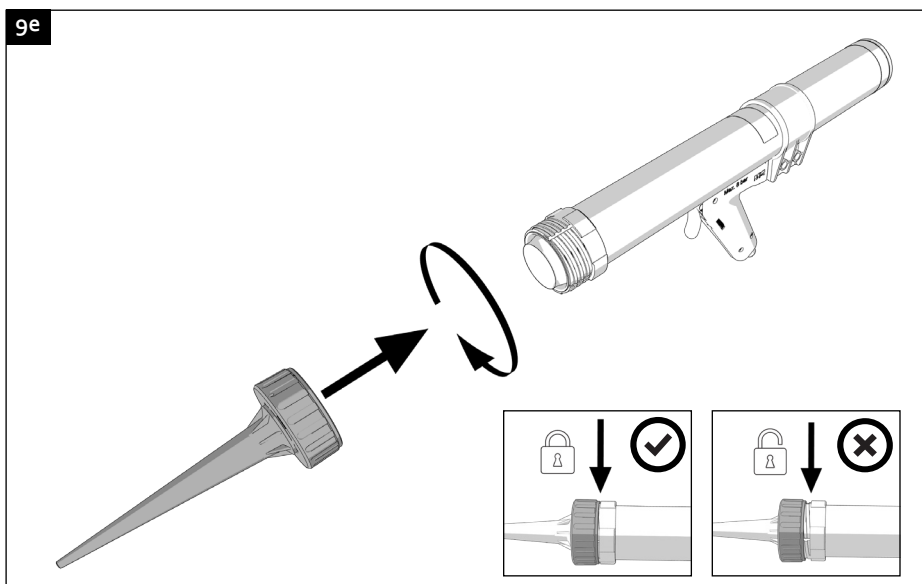
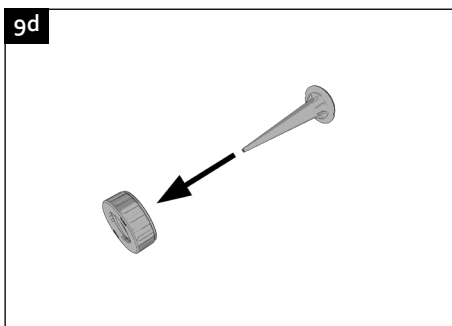
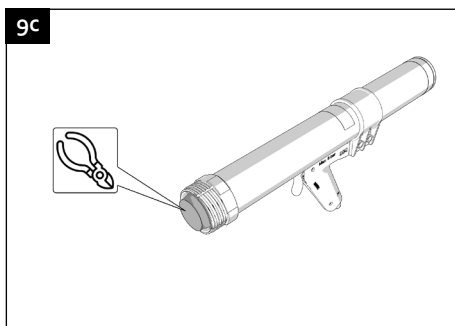
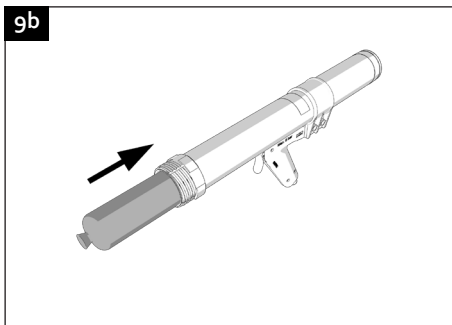
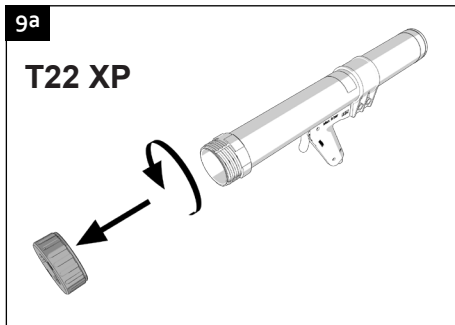
8d

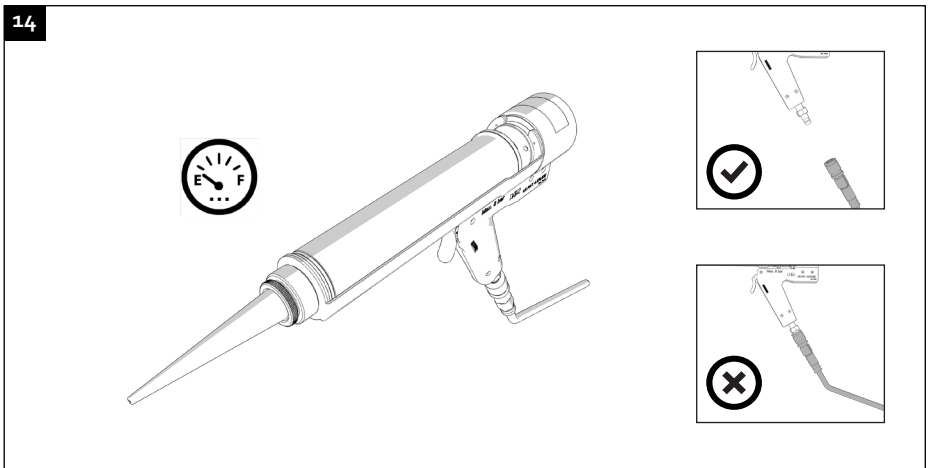
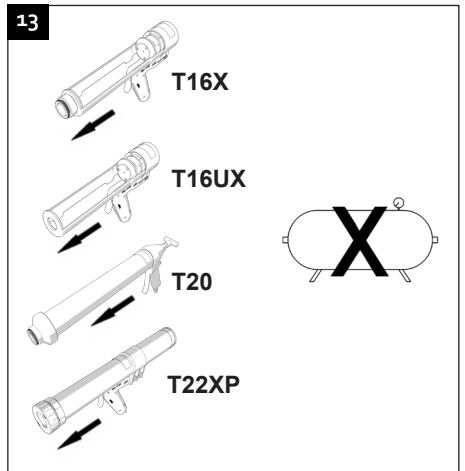
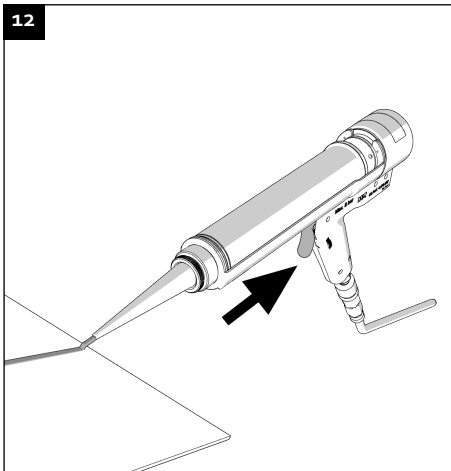
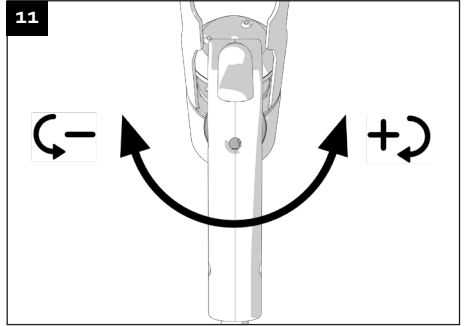
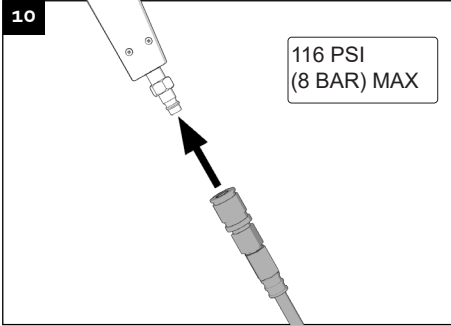


8e



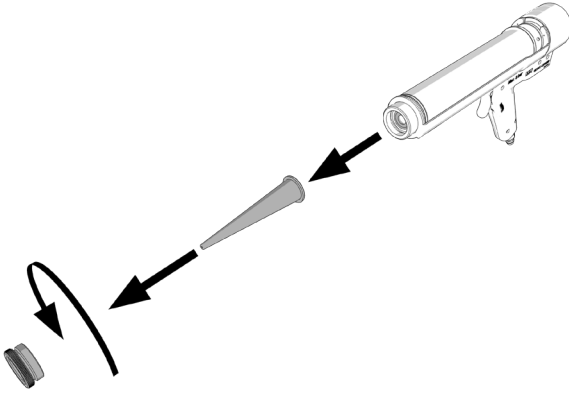




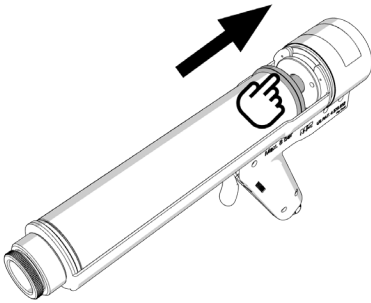


15a

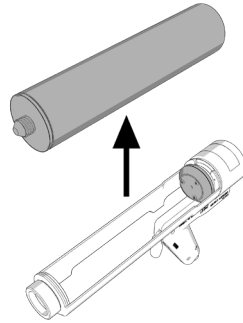
T16 X



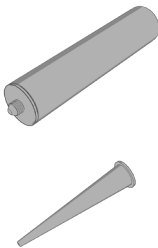
15b



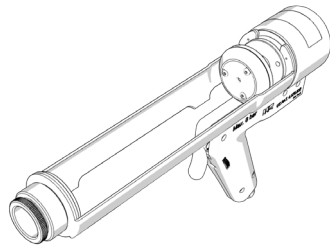
15c



15d

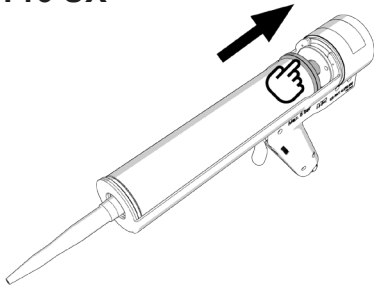


15e

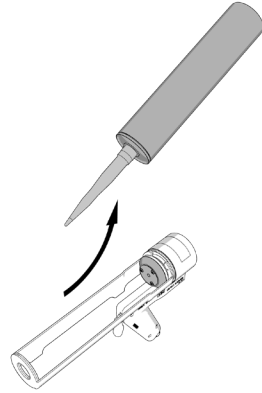


16a

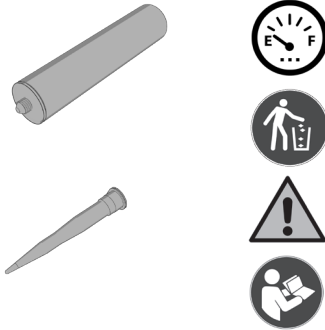
T16 UX



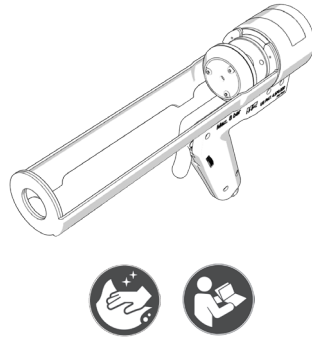
16b



16c

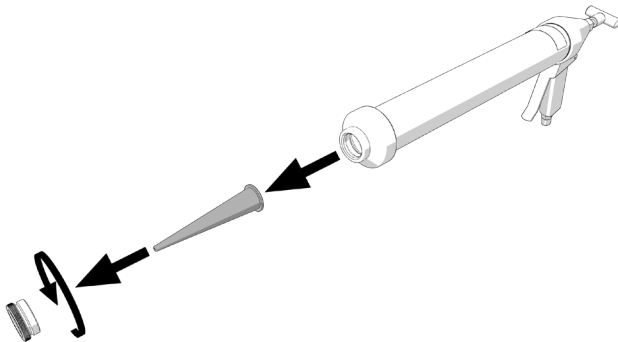


16d

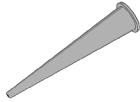
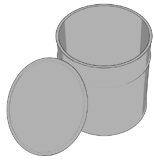


17a

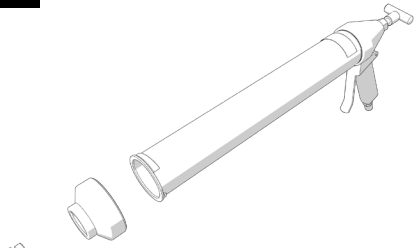
T20



17b

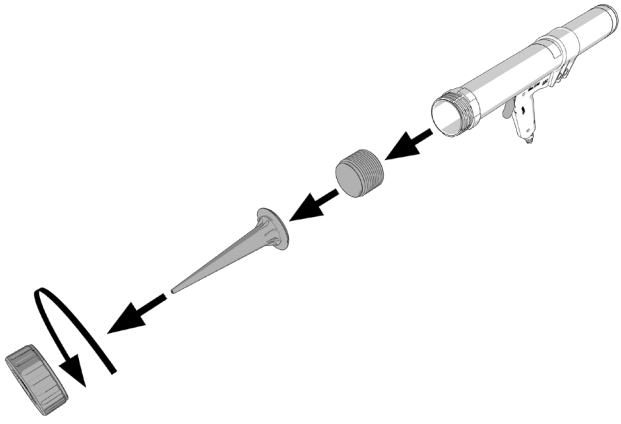


17c



18a

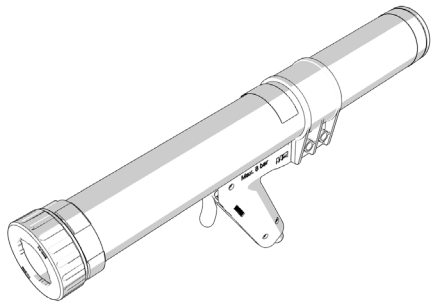
T20 XP

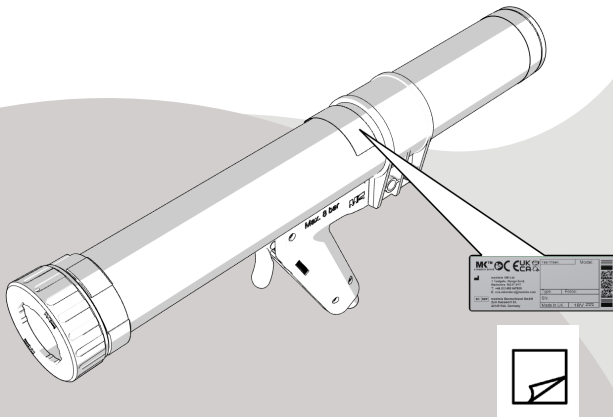
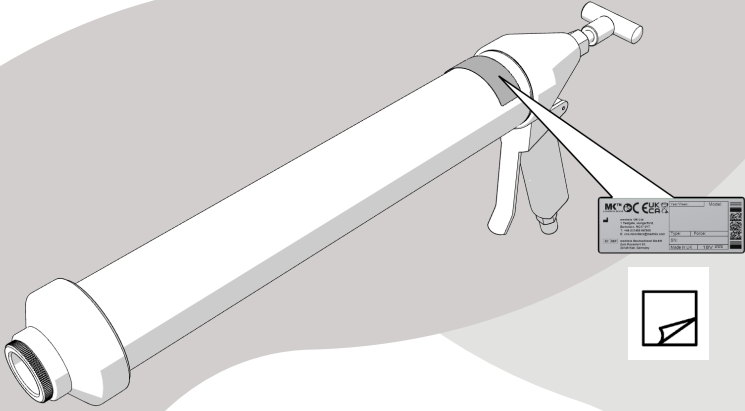


18b



18c





Technical Data		Product(s)			
		T16 X	T16 UX	T20	T22 XP
Max Air Consumption	CFM	1.41	1.41	1.41	1.41
Max Operating Pressure	PSI	116	116	116	116
	Bar	8	8	8	8
Max Supply Pressure	PSI	116	116	116	116
	Bar	8	8	8	8
Operating Temperature Range	Min (°C)	+5	+5	+5	+5
	Max (°C)	+40	+40	+40	+40
	Min (°F)	+41	+41	+41	+41
	Max (°F)	+104	+104	+104	+104
Transport/Storage Temperature Range	Min (°C)	0	0	0	0
	Max (°C)	+40	+40	+40	+40
	Min (°F)	+32	+32	+32	+32
	Max (°F)	+104	+104	+104	+104
Relative Air Humidity (non-condensing)	Min (%)	30	30	30	30
	Max (%)	80	80	80	80
Air Hose Connection	inch	1/4	1/4	1/4	1/4
Size (Height)	mm	193	193	199	190
	inch	7.6	7.6	7.8	7.5
Size (Length)	mm	332	332	489	449
	inch	13.1	13.1	19.2	17.7
Size (Width)	mm	60	60	68	67
	inch	2.4	2.4	2.6	2.6
Weight	kg	0.88	0.88	1,68	0.98
	lbs	1.94	1.94	3.7	2.2
Sound Pressure	dB(A)	78.4	78.4	87.2	67.9
	dB(C)	93.9	93.9	115.2	102.2

EUROPE

medmix Switzerland AG

Ruetistrasse 7,
9469 Haag, Switzerland
Phone: +41 81 414 70 00
Email: sales.industry@medmix.com
Website: medmix.swiss

EC REP

medmix Deutschland GmbH

Zum Kesselort 53,
24149 Kiel, Germany

USA, SOUTH AMERICA, CANADA AND MEXICO

medmix US Inc.

8 Willow St,
Salem, NH 03079, USA
Phone: +1 603 893 2727
Email: sales.industry@medmix.com
Website: medmix.swiss

UK AND IRELAND

medmix UK Ltd

2 Tealgate, Charnham Park, Hungerford
Berkshire, RG17 0YT, United Kingdom
Phone: +44 (0)1488 647 800
Email: cox-mkorders@medmix.com
Website: coxdispensers.com

ASIA PACIFIC

medmix China Ltd

68 Bei Dou Lu,
Minhang District,
Shanghai 200245, P.R. China
Phone: +86 (21)6430 6868
Email: sales.industry@medmix.com
Website: medmix.swiss

Legal Notice: The information contained in this publication is believed to be accurate and reliable but is not to be construed as implying any warranty or guarantee of performance. We waive any liability and indemnity for effects resulting from its application. All information herein is subject to change without notice.