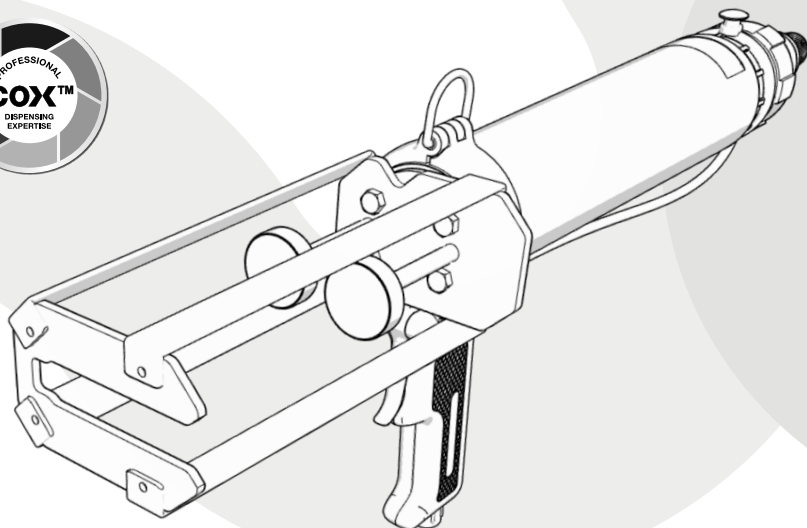


COX™ AIRFLOW™ 1

VBA 200B MR / VBA 200A MR / VBA 400B MR

/ VBA 400A MR

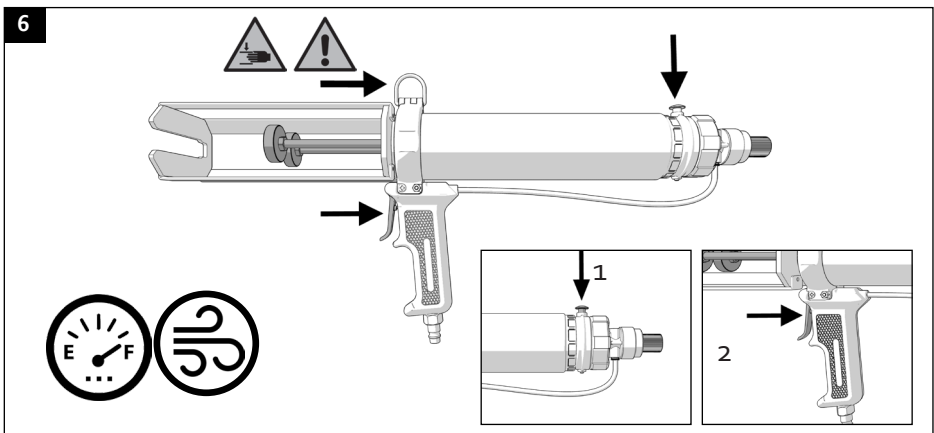
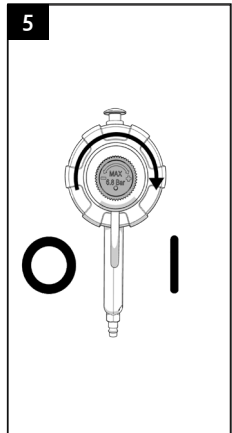
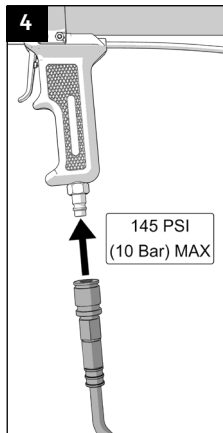
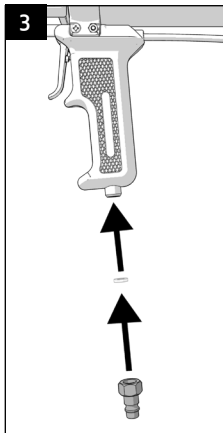
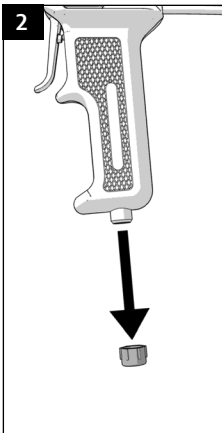
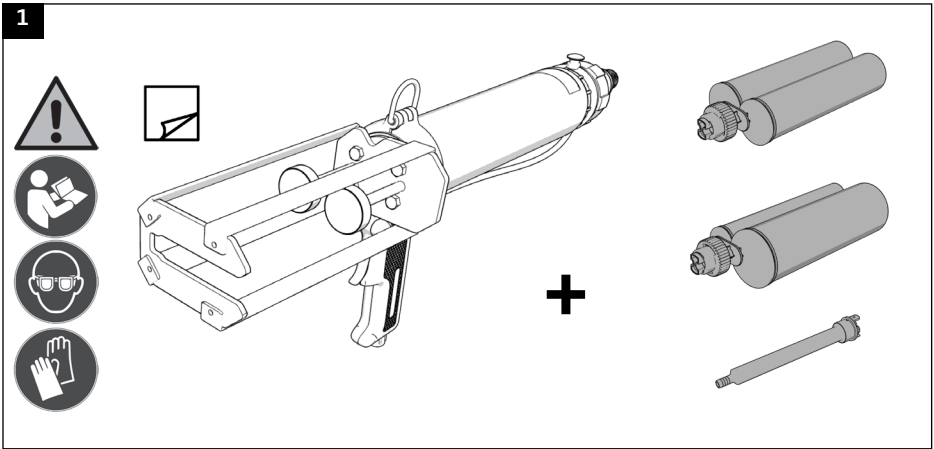
MATERIAL DISPENSERS

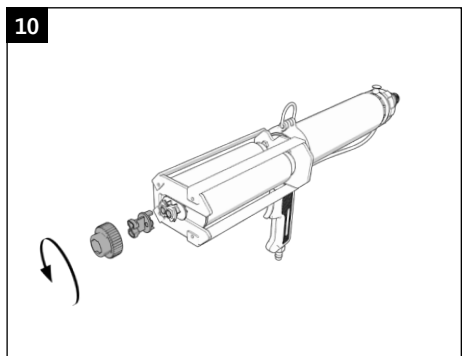
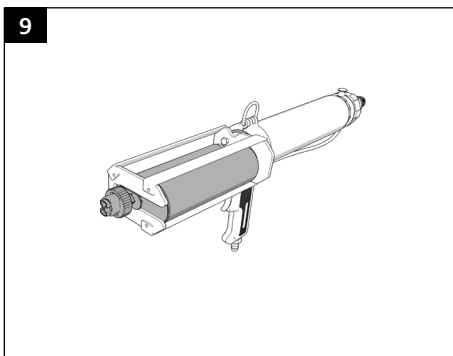
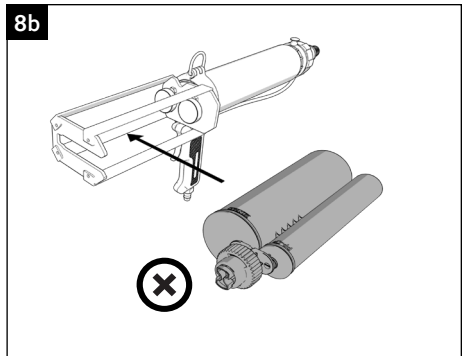
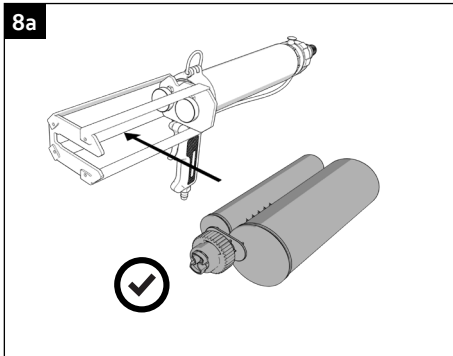
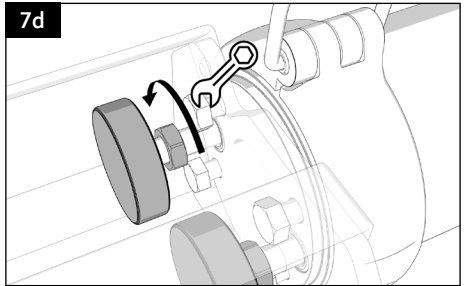
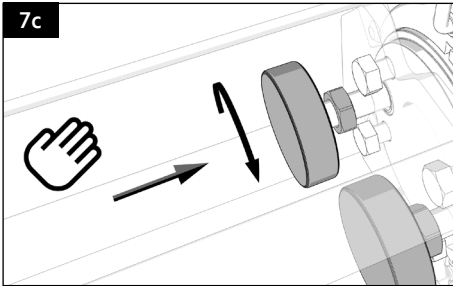
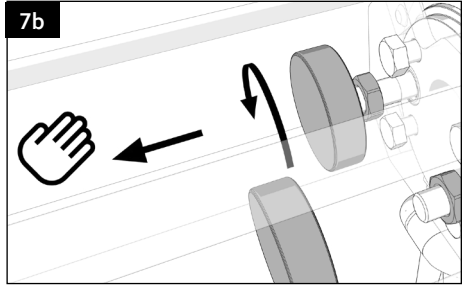
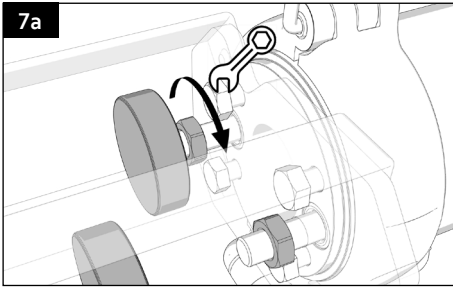


EN	USER HANDBOOK	AT	BENUTZERHANDBUCH	BG	РЪКОВОДСТВО НА ПОТРЕБИТЕЛЯ
CZ	UŽIVATELSKÁ PŘÍRUČKA	DE	GEBRAUCHSANWEISUNG	DK	BRUGERVEJLEDNING
EE	KASUTUSJUHEND	ES	MANUAL DE USUARIO	FI	KÄYTTÖOPAS
FR	MODE D'EMPLOI	GR	ΕΓΧΕΙΡΙΔΙΟ ΧΡΗΣΗΣ	HR	KORISNIČKI PRIRUČNIK
HU	FELHASZNÁLÓI KÉZIKÖNYV	IT	GUIDA UTENTE	JA	ユーザーマニュアル
LT	NAUDOTOJO VADOVAS	LV	LIETOTĀJA ROKASGRĀMATA	NL	GEBRUIKSAANWIJZING
NO	BRUKERHÅNDBOK	PO	INSTRUKCJA OBSŁUGI	PT	MANUAL DO USUÁRIO
RO	MANUALUL UTILIZATORULUI	SE	BRUKSANVISNING	SI	NAVODILA ZA UPORABO
SK	UŽIVATELSKÁ PŘÍRUČKA	TR	KULLANIM KILAVUZU	ZH	用戶手冊

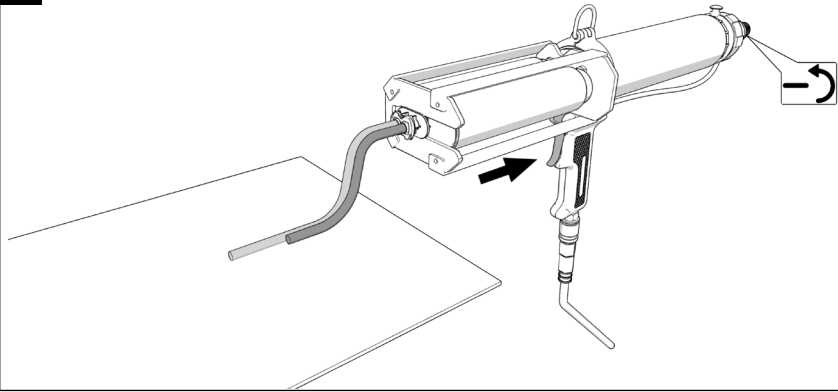
Legend

Clean with cloth		Full	
Hand crush		Nearly empty	
Read handbook		Use screwdriver	
Wear safety goggles		Use snips	
Wear safety gloves		Use pliers	
Disposal		Push	
Warning		Not OK	
Off		OK	
On		Lock	
Decrease flow		No lock	
Increase flow		Inspect label, replace if necessary	
Listen		Interruption of air supply	
Noise			
Anti drip			
Empty			

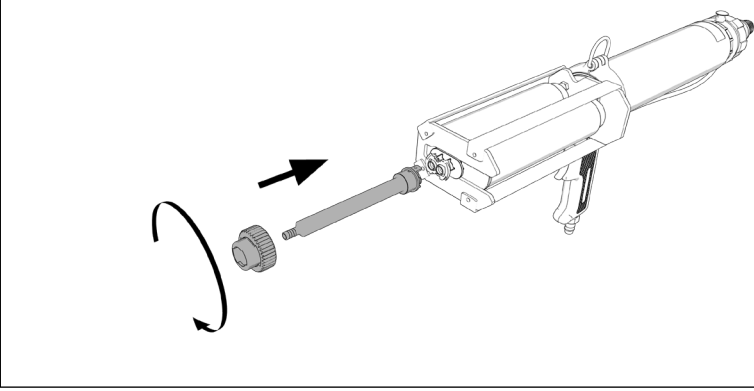




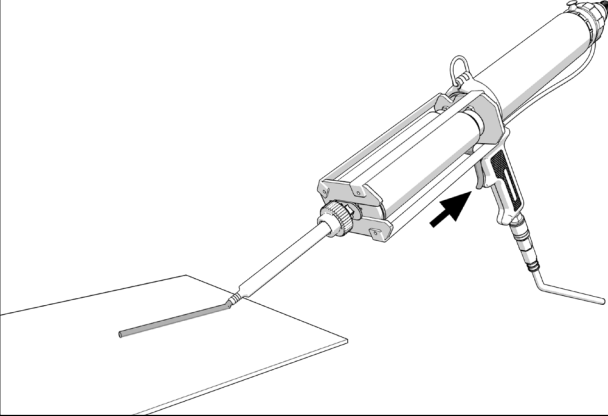
11

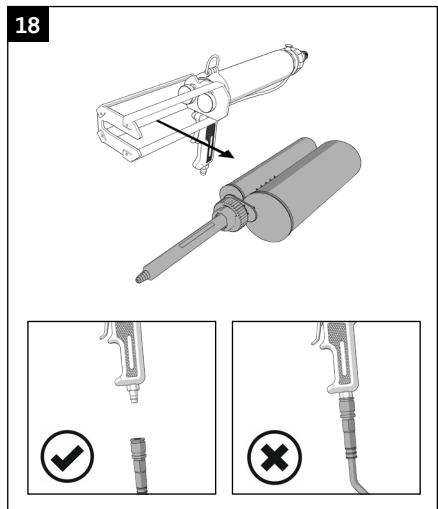
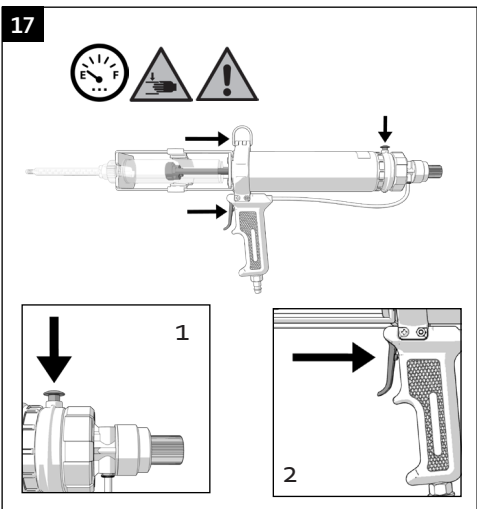
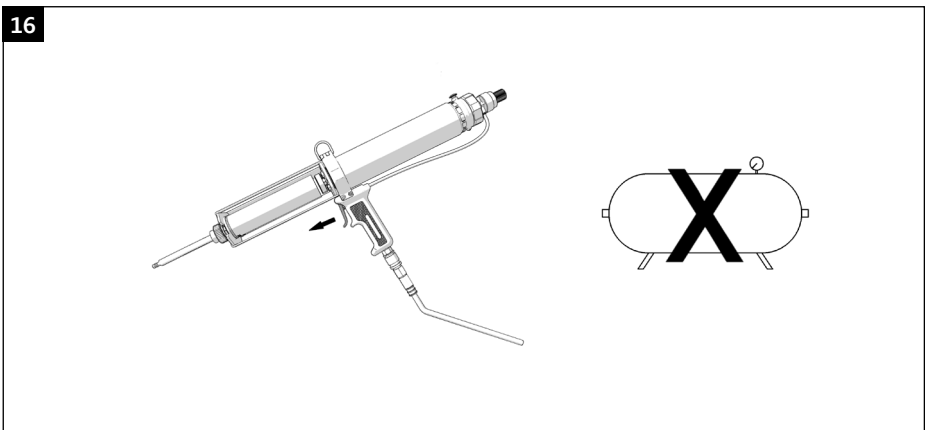
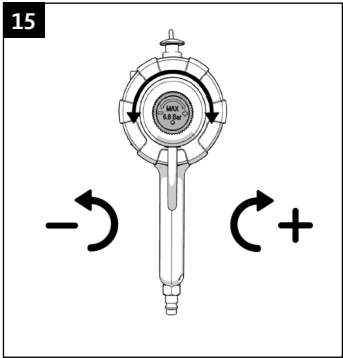
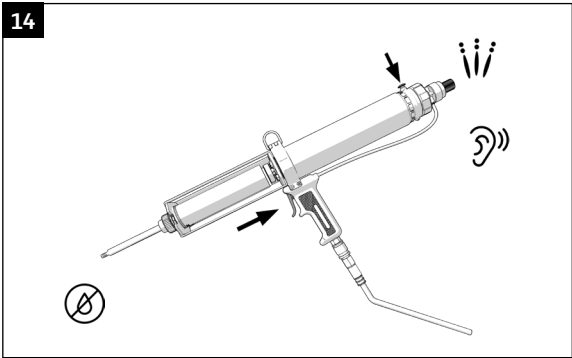


12

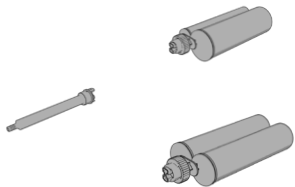


13

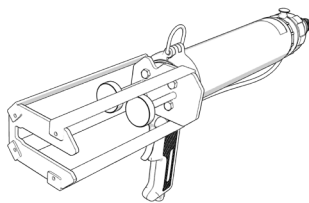


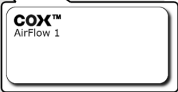
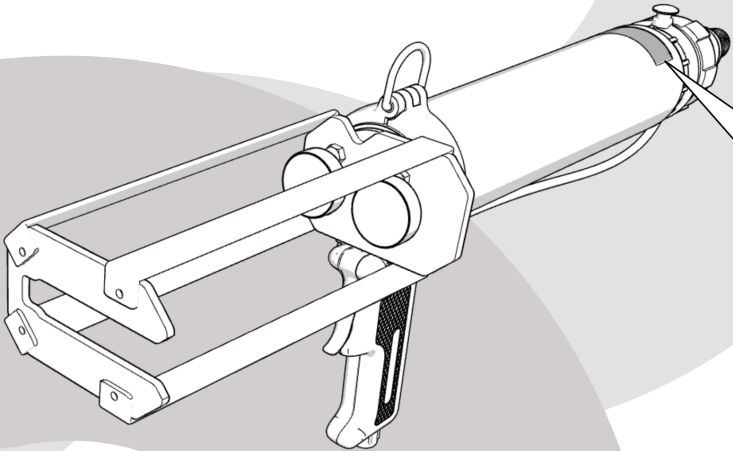
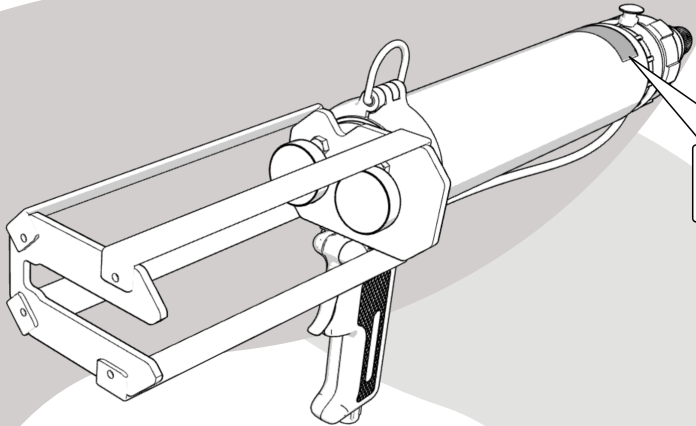


19



20





Technical Data		Product			
		Airflow 1 - VBA 200A MR	Airflow 1 - VBA 200B MR	Airflow 1 - VBA 400A MR	Airflow 1 - VBA 400B MR
Max Air Consumption	CFM	1.41	1.41	1.41	1.41
Max Operating Pressure	PSI	100	100	100	100
	Bar	6.8	6.8	6.8	6.8
Max Supply Pressure	PSI	145	145	145	145
	Bar	10	10	10	10
Operating Temperature Range	Min	+5	+5	+5	+5
	Max	+40	+40	+40	+40
	Min	+41	+41	+41	+41
	Max	+104	+104	+104	+104
Transport/ Storage Temperature Range	Min	0	0	0	0
	Max	+40	+40	+40	+40
	Min	+32	+32	+32	+32
	Max	+104	+104	+104	+104
Relative Air Humidity (non-condensing)	Min	30	30	30	30
	Max	80	80	80	80
Air Hose Connection	inch	1/4 BSP	1/4 BSP	1/4 BSP	1/4 BSP
Size (Height)	mm	264	264	264	299
	inch	10.4	10.4	10.6	11.7
Size (Length)	mm	524	524	615	602
	inch	20.6	20.6	24.2	23.1
Size (Width)	mm	114	88	119	104
	inch	4.5	3.4	4.7	4.1
Weight	kg	2.2	2.2	23.3	2.2
	lbs	4.8	4.8	7.3	4.8
Sound Pressure	dB(A)	61	90	79	87
	dB(C)	99	119	104	112
Vibration	m/s ²	0.424	0.257	0.424	0.257

EUROPE

medmix Switzerland AG

Ruetistrasse 7,
9469 Haag, Switzerland
Phone: +41 81 414 70 00
Email: sales.industry@medmix.com
Website: medmix.swiss

EC REP

medmix Deutschland GmbH

Zum Kesselort 53,
24149 Kiel, Germany

USA, SOUTH AMERICA, CANADA AND MEXICO

medmix US Inc.

8 Willow St,
Salem, NH 03079, USA
Phone: +1 603 893 2727
Email: sales.industry@medmix.com
Website: medmix.swiss

UK AND IRELAND

medmix UK Ltd

2 Tealgate, Charnham Park, Hungerford
Berkshire, RG17 0YT, United Kingdom
Phone: +44 (0)1488 647 800
Email: cox-mkorders@medmix.com
Website: coxdispensers.com

ASIA PACIFIC

medmix China Ltd

68 Bei Dou Lu,
Minhang District,
Shanghai 200245, P.R. China
Phone: +86 (21)6430 6868
Email: sales.industry@medmix.com
Website: medmix.swiss

Legal Notice: The information contained in this publication is believed to be accurate and reliable but is not to be construed as implying any warranty or guarantee of performance. We waive any liability and indemnity for effects resulting from its application. All information herein is subject to change without notice.