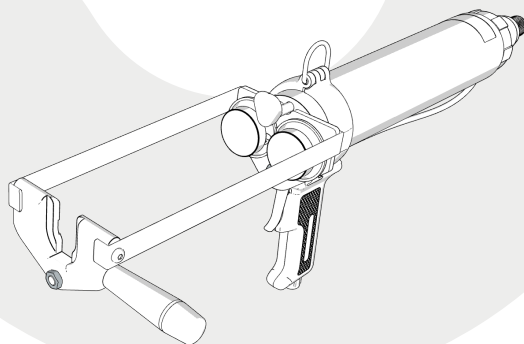


COX™ AIRFLOW™ 1 BI-MIXER

PPA 75 HP / PPA 150HP / PPA 300B / PPA 300A / PPA 600A / PPA 1500 / RBA 100HP / RBA 200B / RBA 300B / VBA 100LP / VBA 100HP / VBA 200B / VBA 200A

MATERIAL DISPENSERS

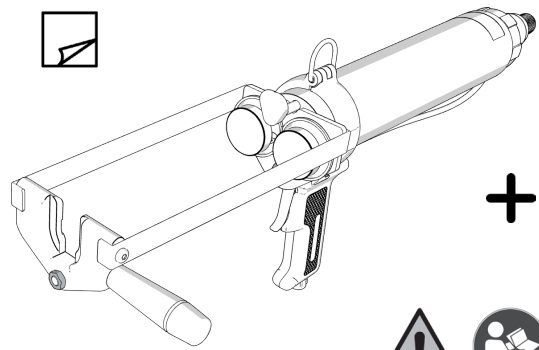


EN	USER HANDBOOK	AT	BENUTZERHANDBUCH	BG	РЪКОВОДСТВО НА ПОТРЕБИТЕЛЯ
CZ	UŽIVATELSKÁ PŘÍRUČKA	DE	GEBRAUCHSANWEISUNG	DK	BRUGERVEJLEDNING
EE	KASUTUSJUHEND	ES	MANUAL DE USUARIO	FI	KÄYTTÖOPAS
FR	MODE D'EMPLOI	GR	ΕΓΧΕΙΡΙΔΙΟ ΧΡΗΣΗΣ	HR	KORISNIČKI PRIRUČNIK
HU	FELHASZNÁLÓI KÉZIKÖNYV	IT	GUIDA UTENTE	JA	ユーザーマニュアル
LT	NAUDOTOJO VADOVAS	LV	LIETOTĀJA ROKASGRĀMATA	NL	GEBRUIKSAANWIJZING
NO	BRUKERHÅNDBOK	PO	INSTRUKCJA OBSŁUGI	PT	MANUAL DO USUÁRIO
RO	MANUALUL UTILIZATORULUI	SE	BRUKSANVISNING	SI	NAVODILA ZA UPORABO
SK	UŽIVATELSKÁ PŘÍRUČKA	TR	KULLANIM KILAVUZU	ZH	用戶手冊

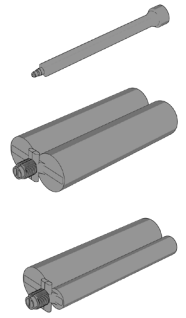
Legend

Clean with cloth		Full	
Hand crush		Nearly empty	
Read handbook		Use screwdriver	
Wear safety goggles		Use snips	
Wear safety gloves		Use pliers	
Disposal		Push	
Warning		Not OK	
Off		OK	
On		Lock	
Decrease flow		No lock	
Increase flow		Inspect label, replace if necessary	
Listen		Interruption of air supply	
Noise			
Anti drip			
Empty			

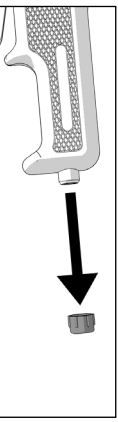
1



+



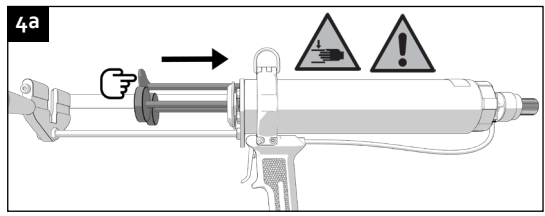
2



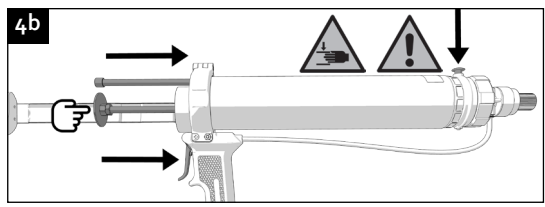
3



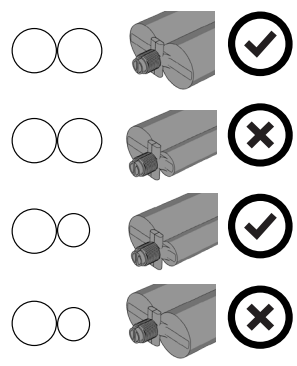
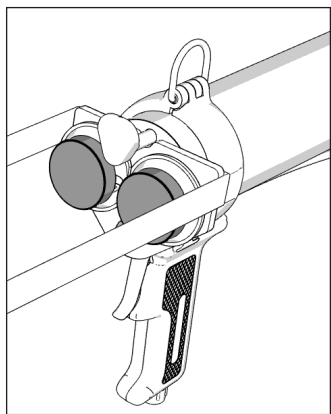
4a

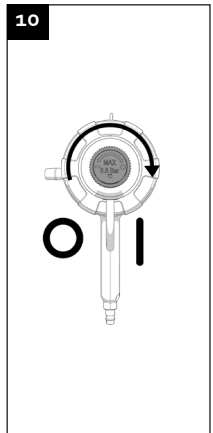
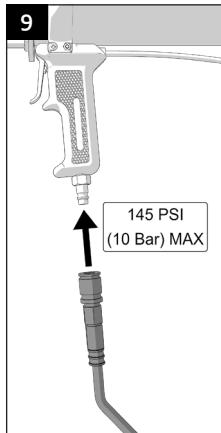
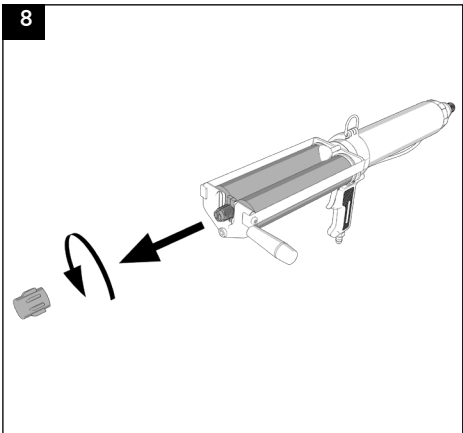
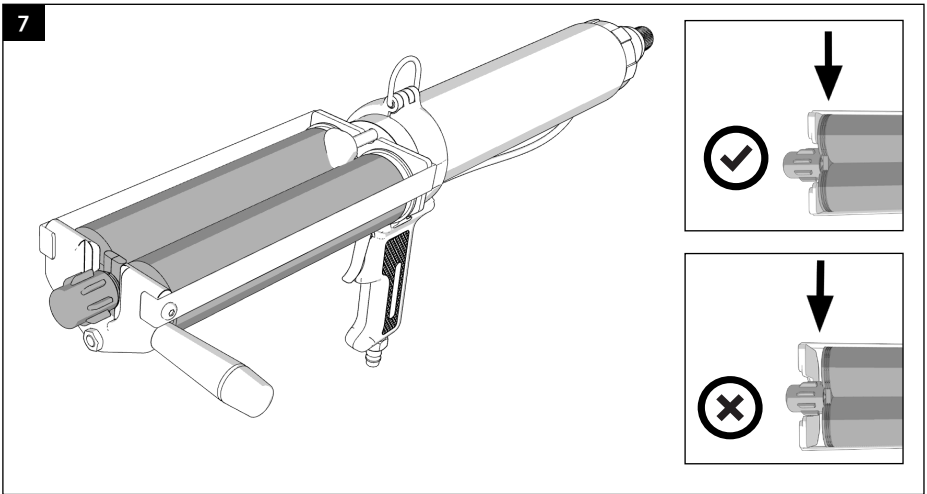
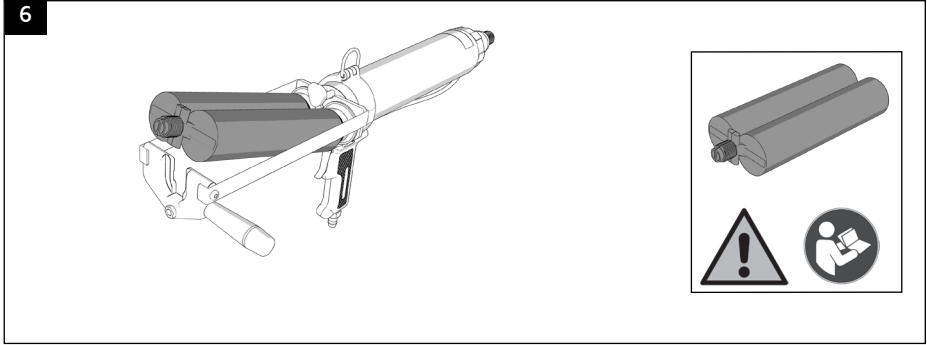


4b

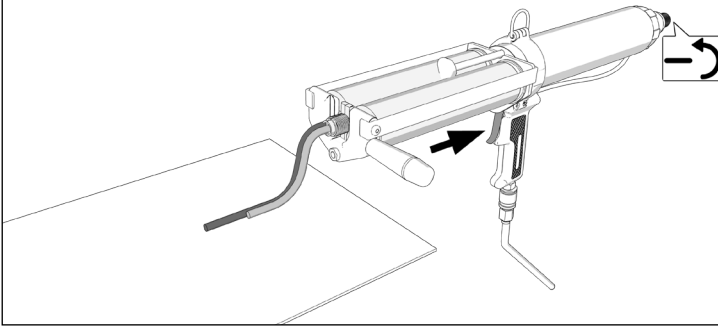


5

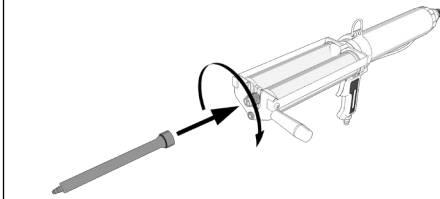




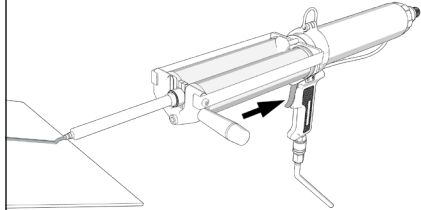
11



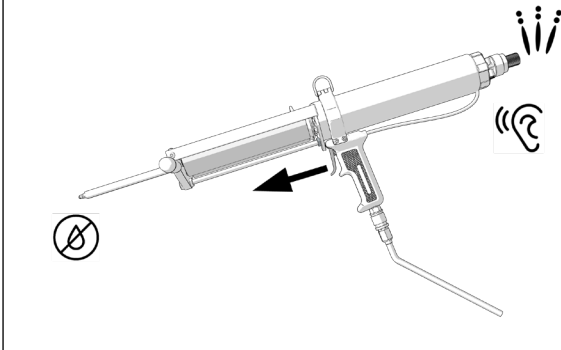
12



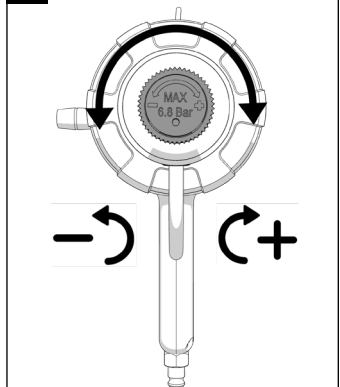
13



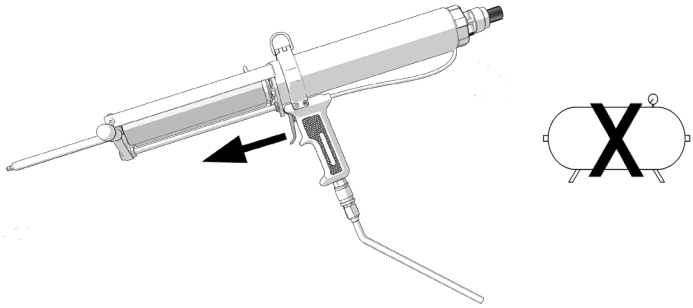
14



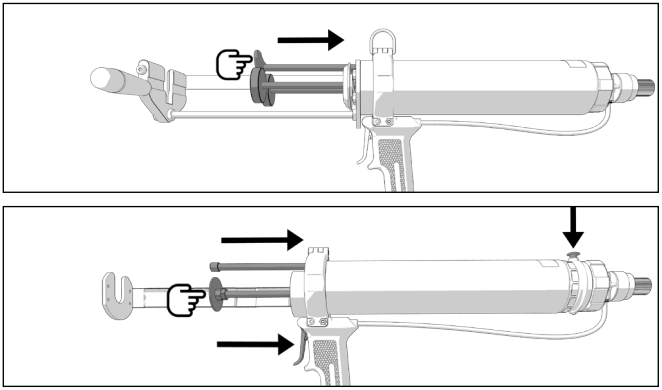
15



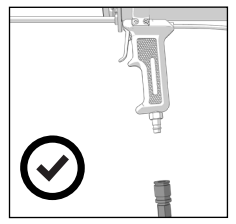
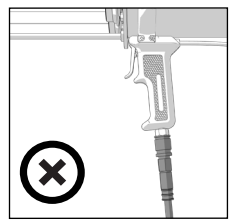
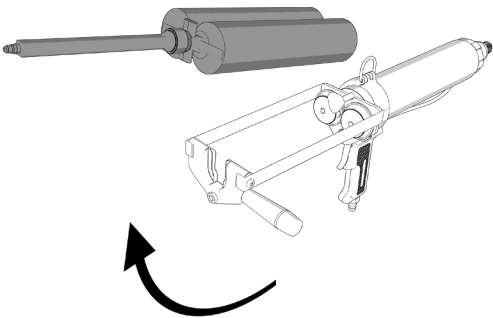
16



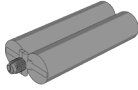
17



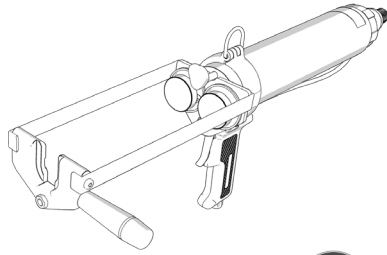
18

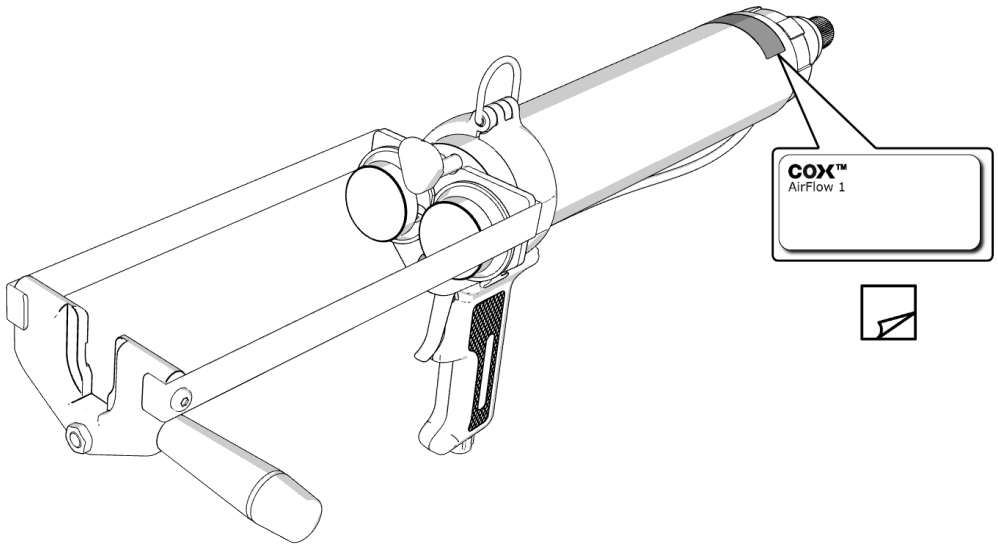
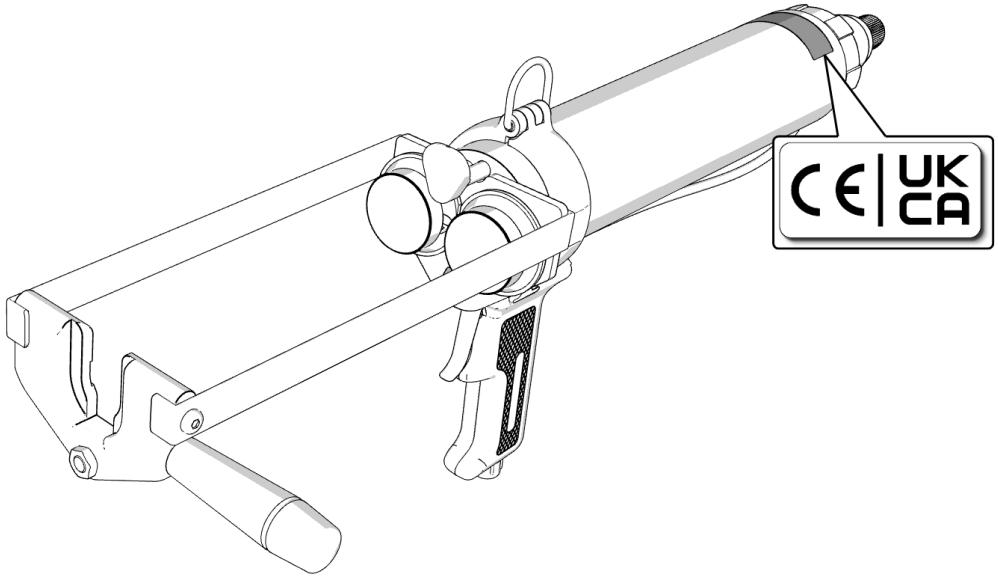


19



20





Technical Data		Product(s)			
		Airflow 1 - PPA 75 HP b	Airflow 1 - PPA 150 HP	Airflow 1 - PPA 300A	Airflow 1 - PPA 300B
Max Air Consumption	CFM	1.41	1.41	1.41	1.41
Max Operating Pressure	PSI	100	100	100	100
	Bar	6.8	6.8	6.8	6.8
Max Supply Pressure	PSI	145	145	145	145
	Bar	10	10	10	10
Operating Temperature Range	Min (°C)	+5	+5	+5	+5
	Max (°C)	+40	+40	+40	+40
	Min (°F)	+41	+41	+41	+41
	Max (°F)	+104	+104	+104	+104
Transport/ Storage Temperature Range	Min (°C)	0	0	0	0
	Max (°C)	+40	+40	+40	+40
	Min (°F)	+32	+32	+32	+32
	Max (°F)	+104	+104	+104	+104
Relative Air Humidity (non-condensing)	Min (%)	30	30	30	30
	Max (%)	80	80	80	80
Air Hose Connection	inch	1/4	1/4	1/4	1/4
Size (Height)	mm	230	230	263	234
	inch	9.1	9.1	10.4	9.2
Size (Length)	mm	396	603	669	624
	inch	15.6	23.7	26.3	24.5
Size (Width)	mm	83	94	192	190
	inch	3.3	3.7	7.6	7.5
Weight	kg	1.6	1.9	3.3	1.9
	lbs	3.4	4.1	7.2	4.1
Sound Pressure	dB(A)	79	79	79	89
	dB(C)	104	104	104	120
Vibration	m/s ²	0.424	0.424	0.424	0.962

Technical Data		Product(s)				
		Airflow 1 - PPA 600A	Airflow 1 - PPA 1500	Airflow 1 - RBA 100 HP	Airflow 1 - RBA 200B	Airflow 1 - RBA 300B
Max Air Consumption	CFM	1.41	1.41	1.41	1.41	1.41
Max Operating Pressure	PSI	100	100	100	100	100
	Bar	6.8	6.8	6.8	6.8	6.8
Max Supply Pressure	PSI	145	145	145	145	145
	Bar	10	10	10	10	10
Operating Temperature Range	Min (°C)	+5	+5	+5	+5	+5
	Max (°C)	+40	+40	+40	+40	+40
	Min (°F)	+41	+41	+41	+41	+41
	Max (°F)	+104	+104	+104	+104	+104
Transport/ Storage Temperature Range	Min (°C)	0	0	0	0	0
	Max (°C)	+40	+40	+40	+40	+40
	Min (°F)	+32	+32	+32	+32	+32
	Max (°F)	+104	+104	+104	+104	+104
Relative Air Humidity (non-condensing)	Min (%)	30	30	30	30	30
	Max (%)	80	80	80	80	80
Air Hose Connection	inch	1/4	1/4	1/4	1/4	1/4
Size (Height)	mm	263	263	230	230	230
	inch	10.4	10.4	9.1	9.1	9.1
Size (Length)	mm	668	653	476	473	559
	inch	26.3	25.7	18.7	18.6	23.6
Size (Width)	mm	176	193	95	101	101
	inch	6.9	7.6	3.7	4.0	4.0
Weight	kg	3.6	3.3	1.7	2.0	4.0
	lbs	7.9	7.3	3.7	4.3	4.9
Sound Pressure	dB(A)	79	79	79	89	89
	dB(C)	104	104	104	120	120
Vibration	m/s ²	0.424	0.424	0.424	0.962	0.962

Technical Data		Product(s)			
		Airflow 1 - VBA 100 LP	Airflow 1 - VBA 100 HP	Airflow 1 - VBA 200A	Airflow 1 - VBA 200B
Max Air Consumption	CFM	1.41	1.41	1.41	1.41
Max Operating Pressure	PSI	100	100	100	100
	Bar	6.8	6.8	6.8	6.8
Max Supply Pressure	PSI	145	145	145	145
	Bar	10	10	10	10
Operating Temperature Range	Min (°C)	+5	+5	+5	+5
	Max (°C)	+40	+40	+40	+40
	Min (°F)	+41	+41	+41	+41
	Max (°F)	+104	+104	+104	+104
Transport/ Storage Temperature Range	Min (°C)	0	0	0	0
	Max (°C)	+40	+40	+40	+40
	Min (°F)	+32	+32	+32	+32
	Max (°F)	+104	+104	+104	+104
Relative Air Humidity (non-condensing)	Min (%)	30	30	30	30
	Max (%)	80	80	80	80
Air Hose Connection	inch	1/4	1/4	1/4	1/4
Size (Height)	mm	210	229	264	230
	inch	8.3	9.0	10.4	9.1
Size (Length)	mm	468	487	629	588
	inch	18.4	19.2	24.8	23.1
Size (Width)	mm	95	95	118	107
	inch	3.7	3.7	4.6	4.2
Weight	kg	1.7	1.7	2.9	2.2
	lbs	3.7	3.7	6.4	4.8
Sound Pressure	dB(A)	79	79	79	89
	dB(C)	104	104	104	120
Vibration	m/s ²	0.424	0.424	0.424	0.962

EUROPE

medmix Switzerland AG

Ruetistrasse 7,
9469 Haag, Switzerland
Phone: +41 81 414 70 00
Email: sales.industry@medmix.com
Website: medmix.swiss

EC REP

medmix Deutschland GmbH

Zum Kesselort 53,
24149 Kiel, Germany

USA, SOUTH AMERICA, CANADA AND MEXICO

medmix US Inc.

8 Willow St,
Salem, NH 03079, USA
Phone: +1 603 893 2727
Email: sales.industry@medmix.com
Website: medmix.swiss

UK AND IRELAND



medmix UK Ltd

2 Tealgate, Charnham Park, Hungerford
Berkshire, RG17 0YT, United Kingdom
Phone: +44 (0)1488 647 800
Email: cox-mkorders@medmix.com
Website: coxdispensers.com

ASIA PACIFIC

medmix China Ltd

68 Bei Dou Lu,
Minhang District,
Shanghai 200245, P.R. China
Phone: +86 (21)6430 6868
Email: sales.industry@medmix.com
Website: medmix.swiss

Legal Notice: The information contained in this publication is believed to be accurate and reliable but is not to be construed as implying any warranty or guarantee of performance. We waive any liability and indemnity for effects resulting from its application. All information herein is subject to change without notice.