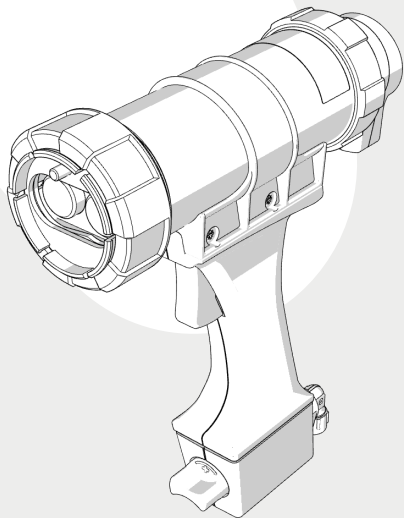


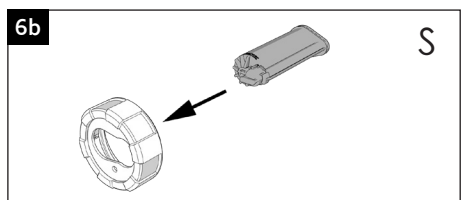
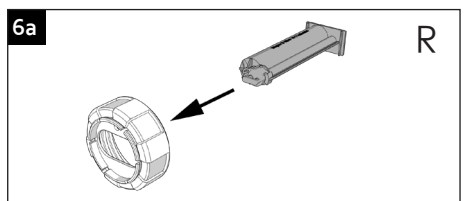
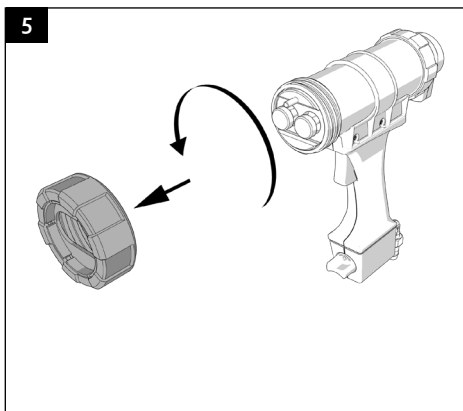
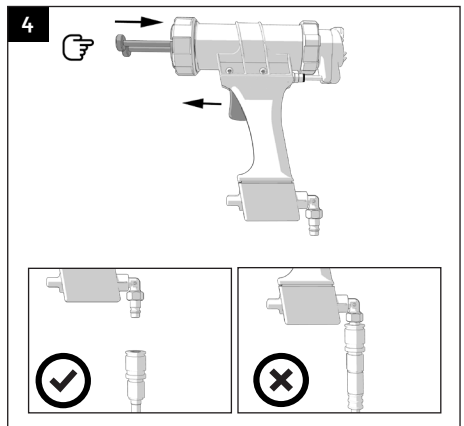
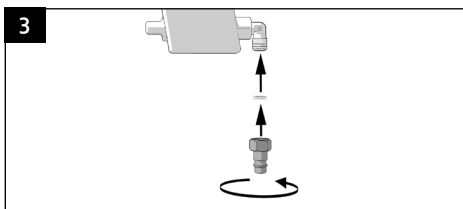
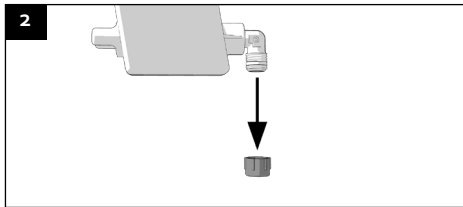
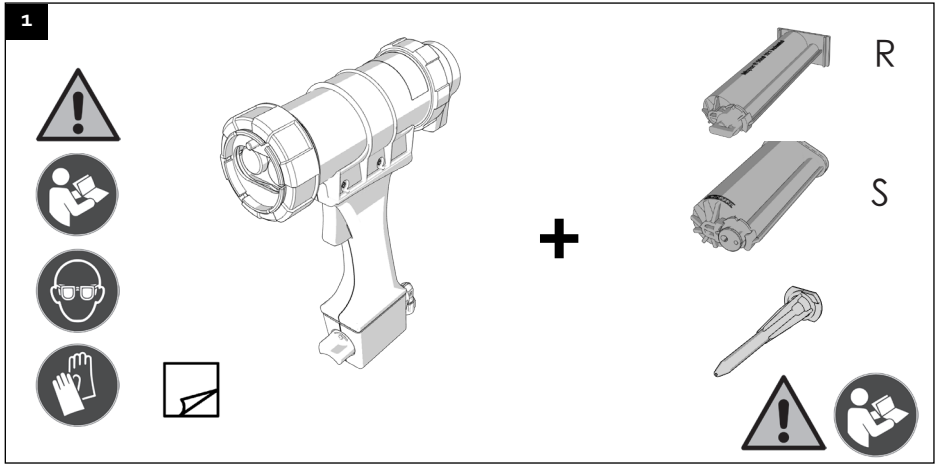
# COX™ AIRFLOW™ 2 CBA R50/S50 MATERIAL DISPENSERS

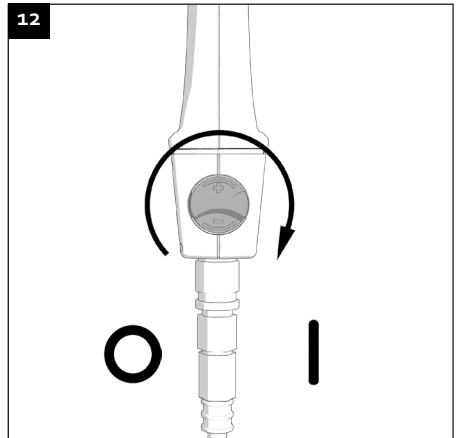
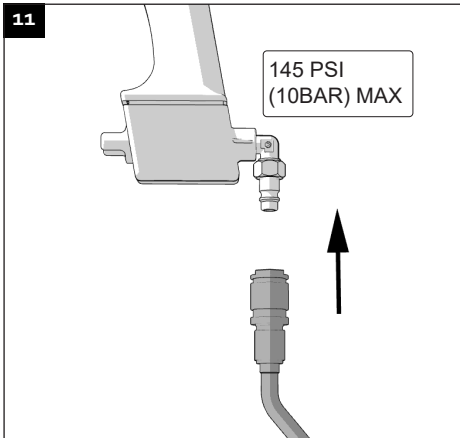
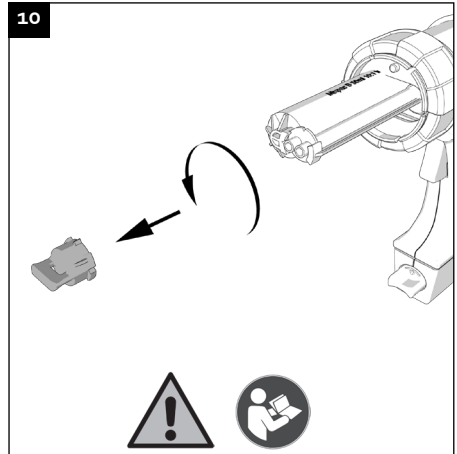
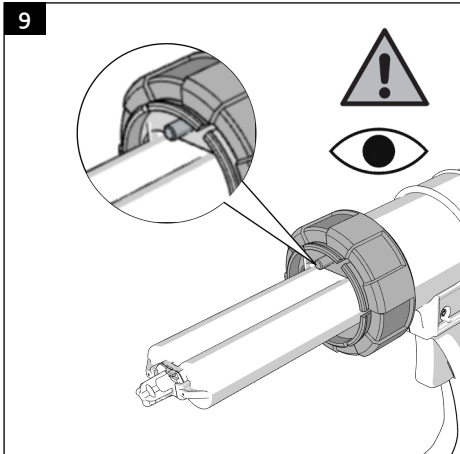
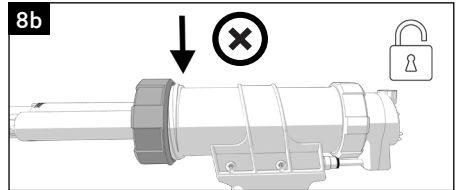
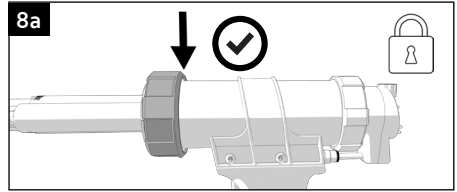
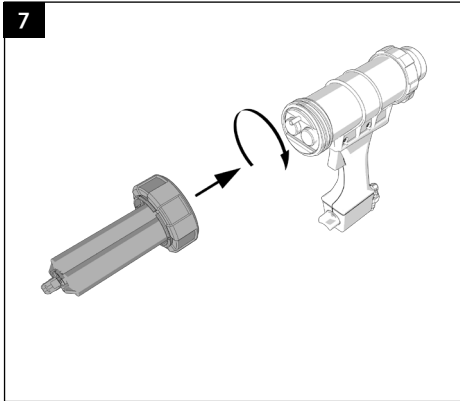


EN	USER HANDBOOK	AT	BENUTZERHANDBUCH	BG	РЪКОВОДСТВО НА ПОТРЕБИТЕЛЯ
CZ	UŽIVATELSKÁ PŘÍRUČKA	DE	GEBRAUCHSANWEISUNG	DK	BRUGERVEJLEDNING
EE	KASUTUSJUHEND	ES	MANUAL DE USUARIO	FI	KÄYTTÖOPAS
FR	MODE D'EMPLOI	GR	ΕΓΧΕΙΡΙΔΙΟ ΧΡΗΣΗΣ	HR	KORISNIČKI PRIRUČNIK
HU	FELHASZNÁLÓI KÉZIKÖNYV	IT	GUIDA UTENTE	JA	ユーザーマニュアル
LT	NAUDOTOJO VADOVAS	LV	LIETOTĀJA ROKASGRĀMATA	NL	GEBRUIKSAANWIJZING
NO	BRUKERHÅNDBOK	PO	INSTRUKCJA OBSŁUGI	PT	MANUAL DO USUÁRIO
RO	MANUALUL UTILIZATORULUI	SE	BRUKSANVISNING	SI	NAVODILA ZA UPORABO
SK	UŽIVATELSKÁ PŘÍRUČKA	TR	KULLANIM KILAVUZU	ZH	用戶手冊

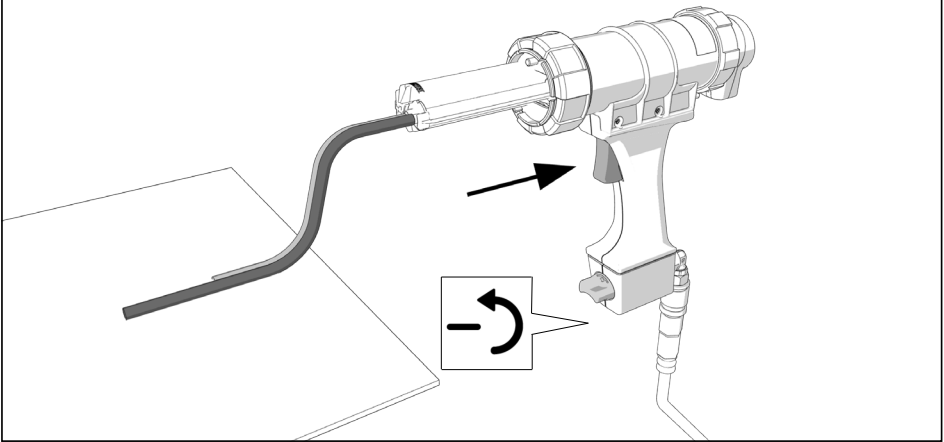
## Legend

Clean with cloth		Full	
Hand crush		Nearly empty	
Read handbook		Use screwdriver	
Wear safety goggles		Use snips	
Wear safety gloves		Use pliers	
Disposal		Push	
Warning		Not OK	
Off		OK	
On		Lock	
Decrease flow		No lock	
Increase flow		Inspect label, replace if necessary	
Listen		Interruption of air supply	
Noise			
Anti drip			
Empty			

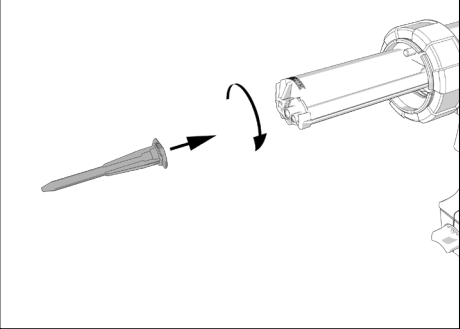




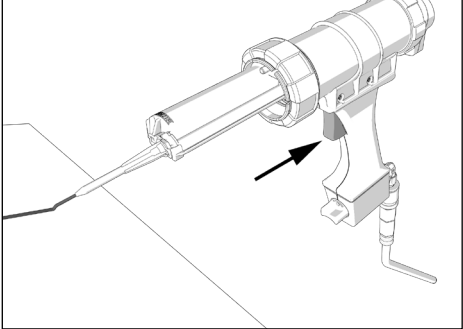
13



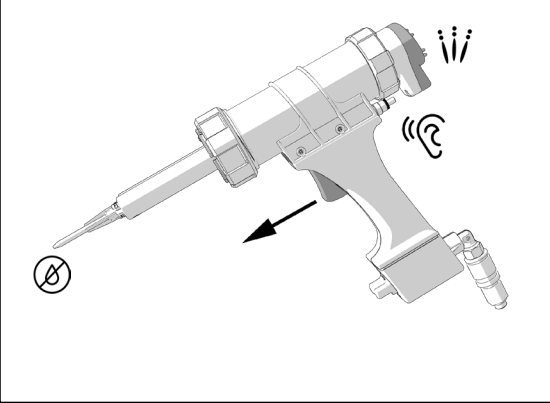
14



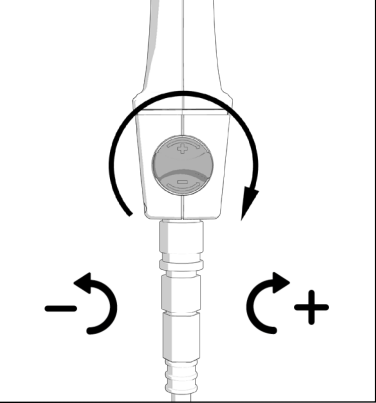
15



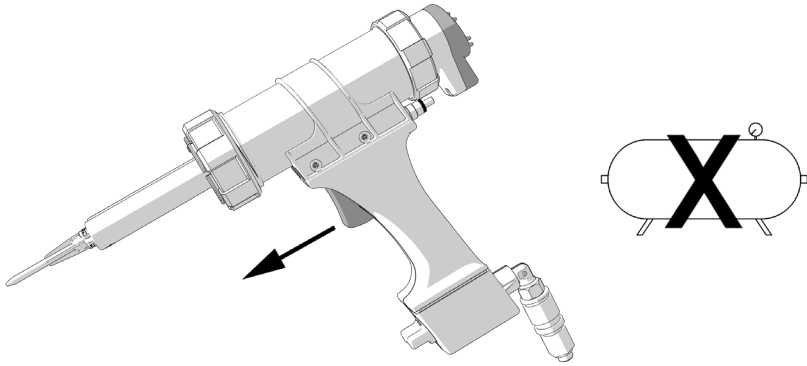
16



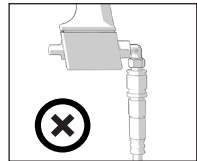
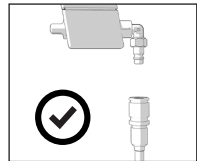
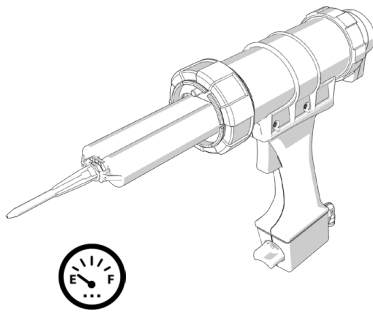
17



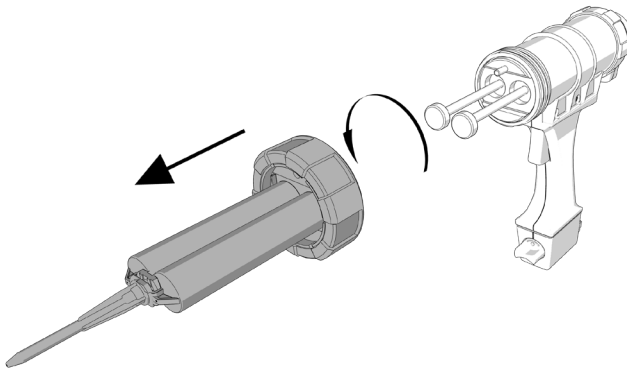
18



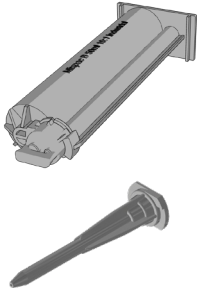
19



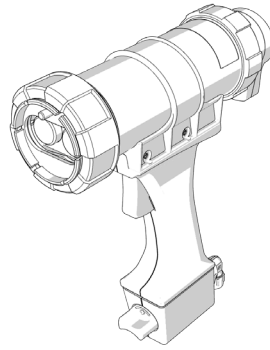
20

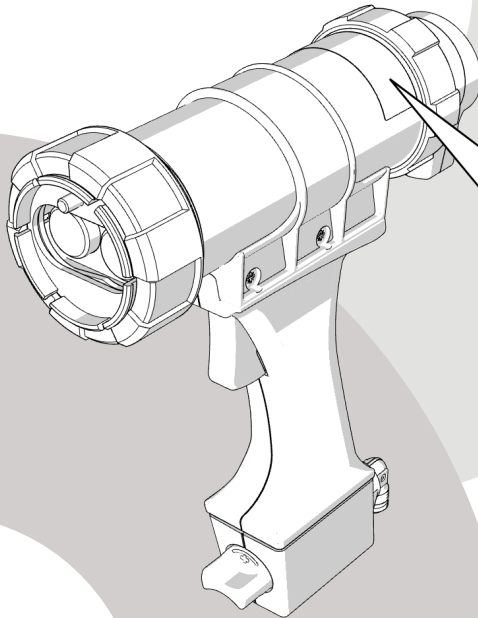
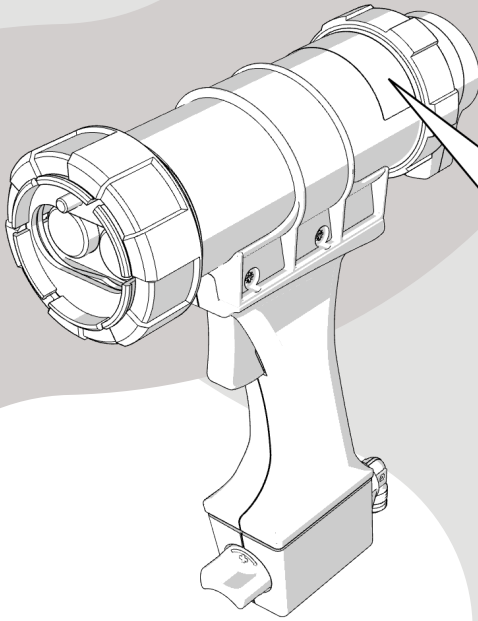


21



22





Technical Data		Product(s)
		Airflow 2 - CBA R50/S50
Max Air Consumption	CFM	1.41
Max Operating Pressure	PSI	50
	Bar	3.4
Max Supply Pressure	PSI	145
	Bar	10
Operating Temperature Range	Min (°C)	+5
	Max (°C)	+40
	Min (°F)	+41
	Max (°F)	+104
Transport/ Storage Temperature Range	Min (°C)	0
	Max (°C)	+40
	Min (°F)	+32
	Max (°F)	+104
Relative Air Humidity (non-condensing)	Min (%)	30
	Max (%)	80
Air Hose Connection	inch	1/4
Size (Height)	mm	242
	inch	9.5
Size (Length)	mm	209
	inch	8.2
Size (Width)	mm	68
	inch	2.7
Weight	kg	2.2
	lbs	4.81
Sound Pressure	dB(A)	59
	dB(C)	97
Vibration	m/s <sup>2</sup>	0.006g

## EUROPE

### medmix Switzerland AG

Ruetistrasse 7,  
9469 Haag, Switzerland  
Phone: +41 81 414 70 00  
Email: sales.industry@medmix.com  
Website: medmix.swiss

EC REP

### medmix Deutschland GmbH

Zum Kesselort 53,  
24149 Kiel, Germany

## USA, SOUTH AMERICA, CANADA AND MEXICO

### medmix US Inc.

8 Willow St,  
Salem, NH 03064, USA  
Phone: +1 603 893 2727  
Email: sales.industry@medmix.com  
Website: medmix.swiss

## UK AND IRELAND



### medmix UK Ltd

2 Tealgate, Charnham Park, Hungerford  
Berkshire, RG17 0YT, United Kingdom  
Phone: +44 (0)1488 647 800  
Email: cox-mkorders@medmix.com  
Website: coxdispensers.com

## ASIA PACIFIC

### medmix China Ltd

68 Bei Dou Lu,  
Minhang District,  
Shanghai 200245, P.R. China  
Phone: +86 (21)6430 6868  
Email: sales.industry@medmix.com  
Website: medmix.swiss

Legal Notice: The information contained in this publication is believed to be accurate and reliable but is not to be construed as implying any warranty or guarantee of performance. We waive any liability and indemnity for effects resulting from its application. All information herein is subject to change without notice.