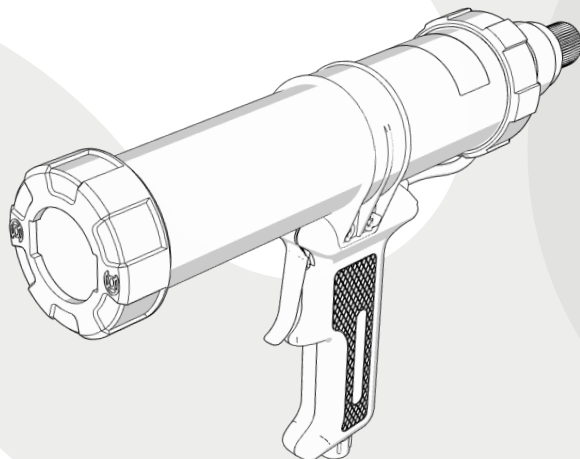


COX™ AIRFLOW™ 1 SACHET COX™ AIRFLOW™ 1 CARTRIDGE MATERIAL DISPENSERS



EN	USER HANDBOOK	AT	BENUTZERHANDBUCH	BG	РЪКОВОДСТВО НА ПОТРЕБИТЕЛЯ
CZ	UŽIVATELSKÁ PŘÍRUČKA	DE	GEBRAUCHSANWEISUNG	DK	BRUGERVEJLEDNING
EE	KASUTUSJUHEND	ES	MANUAL DE USUARIO	FI	KÄYTTÖOPAS
FR	MODE D'EMPLOI	GR	ΕΓΧΕΙΡΙΔΙΟ ΧΡΗΣΗΣ	HR	KORISNIČKI PRIRUČNIK
HU	FELHASZNÁLÓI KÉZIKÖNYV	IT	GUIDA UTENTE	JA	ユーザーマニュアル
LT	NAUDOTOJO VADOVAS	LV	LIETOTĀJA ROKASGRĀMATA	NL	GEBRUIKSAANWIJZING
NO	BRUKERHÅNDBOK	PO	INSTRUKCJA OBSŁUGI	PT	MANUAL DO USUÁRIO
RO	MANUALUL UTILIZATORULUI	SE	BRUKSANVISNING	SI	NAVODILA ZA UPORABO
SK	UŽIVATELSKÁ PŘÍRUČKA	TR	KULLANIM KILAVUZU	ZH	用戶手冊

Legend

Clean with cloth



Full



Hand crush



Nearly empty



Read handbook



Use screwdriver



Wear safety goggles



Use snips



Wear safety gloves



Use pliers



Disposal



Push



Warning



Not OK



Off



OK



On



Lock



Decrease flow



No lock



Increase flow



Inspect label, replace if necessary



Listen



Interruption of air supply



Noise

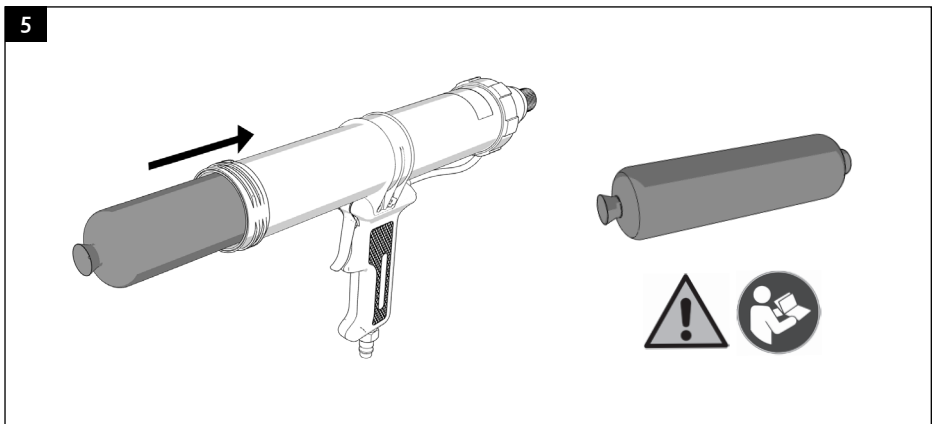
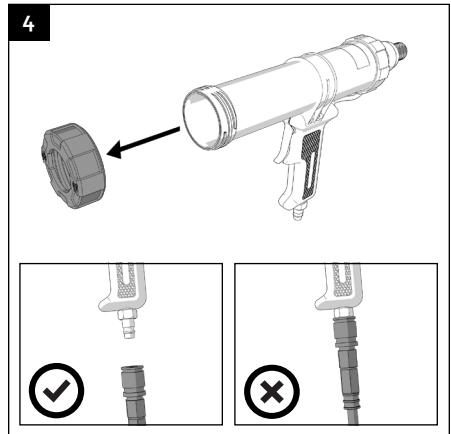
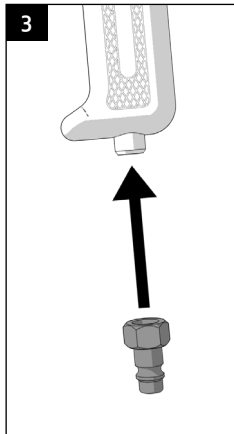
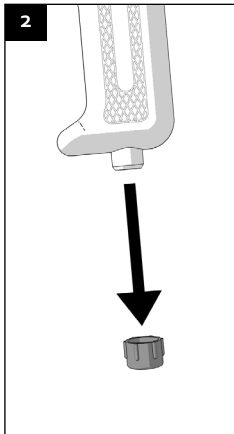
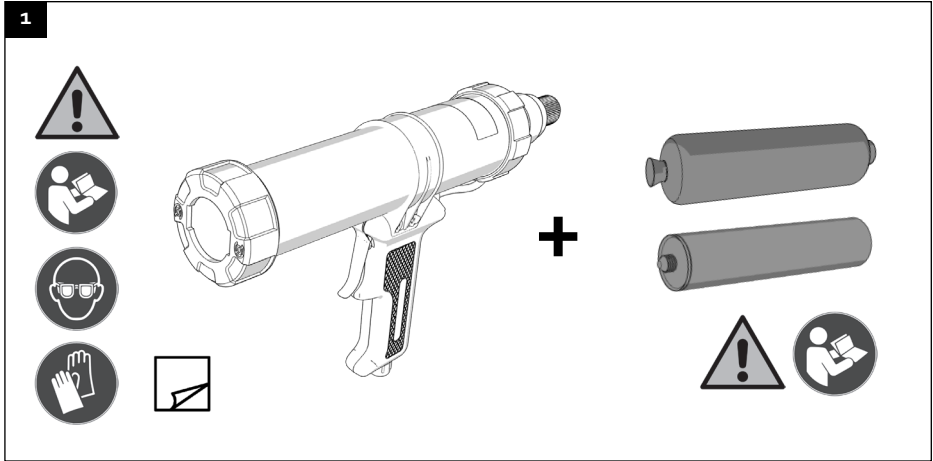


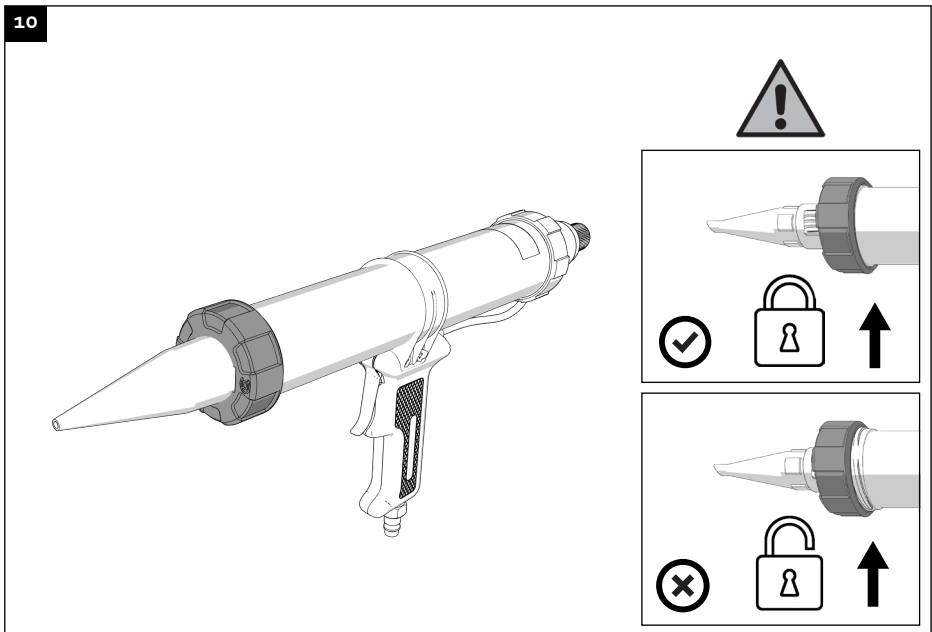
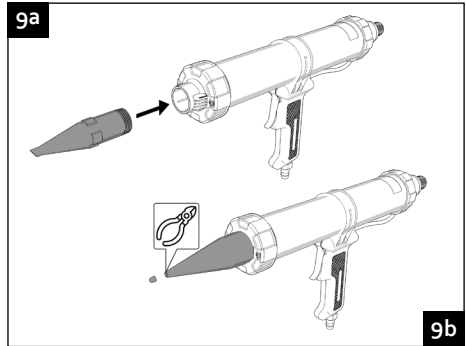
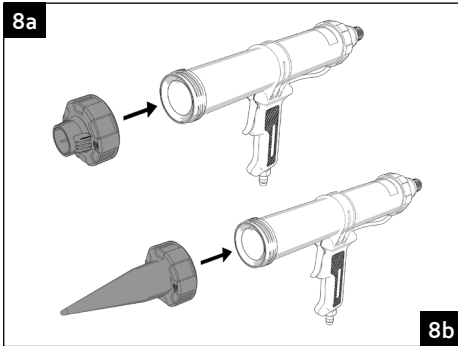
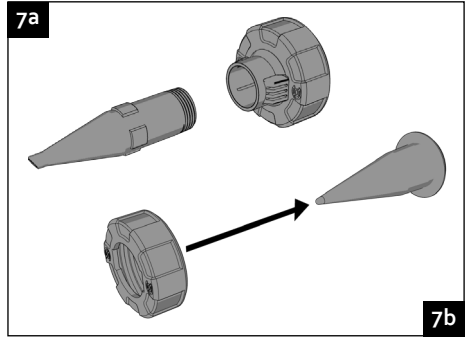
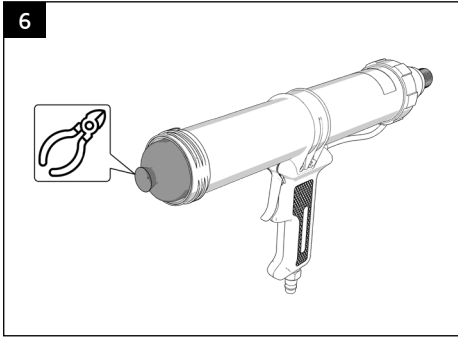
Anti drip



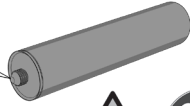
Empty



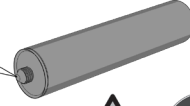




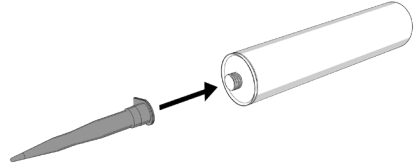
11a



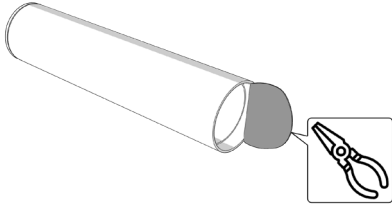
11b



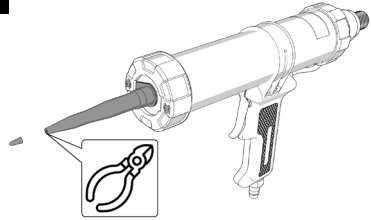
12



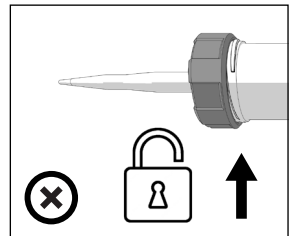
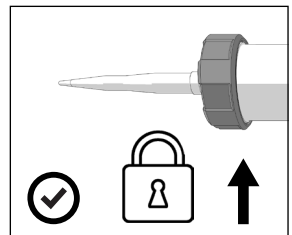
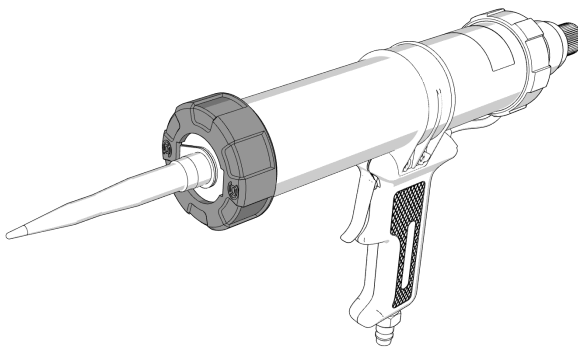
13

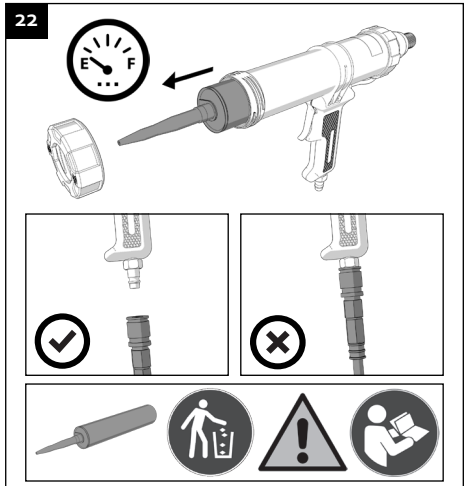
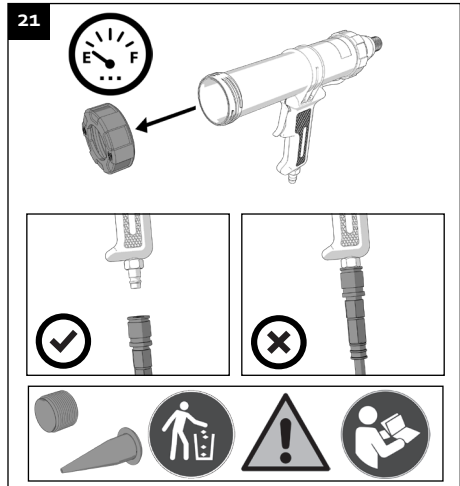
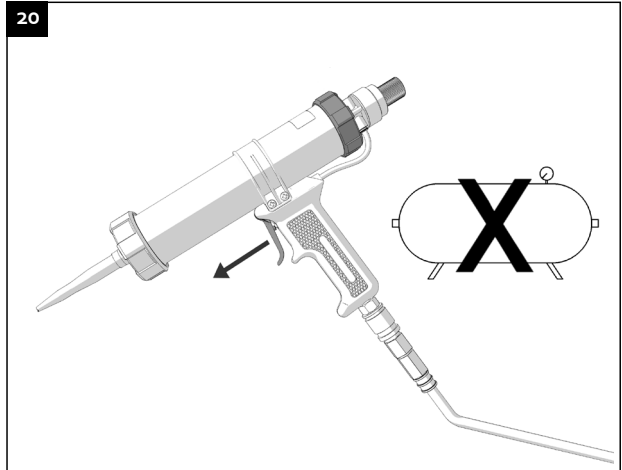
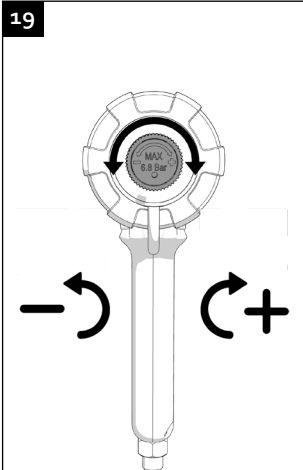
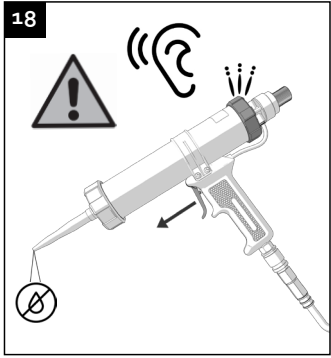
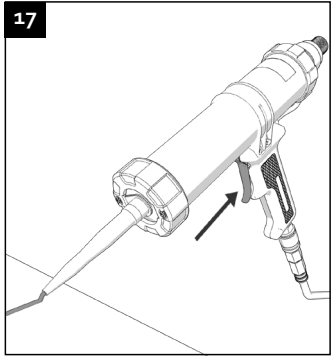
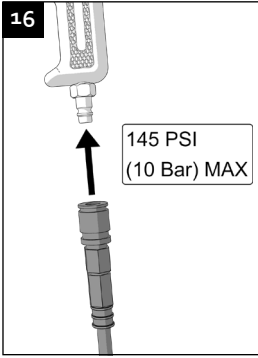


14

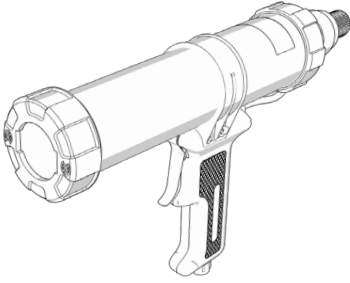


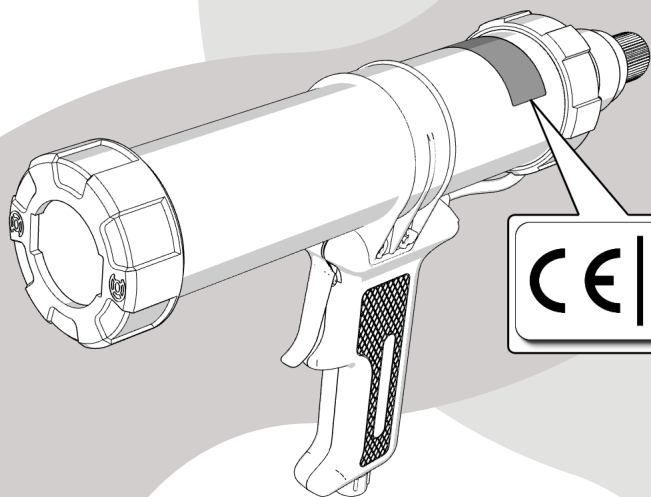
15



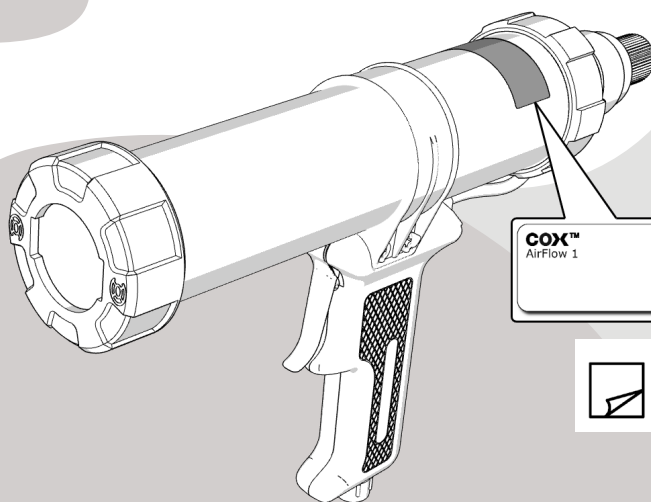


23





CE | UK
CA



COX™
AirFlow 1



Technical Data		Product(s)			
		Airflow 1 - Cart	Airflow 1 - Sachet 310	Airflow 1 - Sachet 400	Airflow 1 - Sachet 600
Max Air Consumption	CFM	141	141	141	141
Max Operating Pressure	PSI	100	100	100	100
	Bar	6.8	6.8	6.8	6.8
Max Supply Pressure	PSI	145	145	145	145
	Bar	10	10	10	10
Operating Temperature Range	Min (°C)	+5	+5	+5	+5
	Max (°C)	+40	+40	+40	+40
	Min (°F)	+41	+41	+41	+41
	Max (°F)	+104	+104	+104	+104
Transport/ Storage Temperature Range	Min (°C)	0	0	0	0
	Max (°C)	+40	+40	+40	+40
	Min (°F)	+32	+32	+32	+32
	Max (°F)	+104	+104	+104	+104
Relative Air Humidity (non-condensing)	Min (%)	30	30	30	30
	Max (%)	80	80	80	80
Air Hose Connection	inch	1/4	1/4	1/4	1/4
Size (Height)	mm	205	205	205	205
	inch	8.07	8.07	8.07	8.07
Size (Length)	mm	313	377	409	522
	inch	12.32	14.8	16.1	20.6
Size (Width)	mm	69	69	69	69
	inch	2.7	2.7	2.7	2.7
Weight	kg	0.62	0.95	1.0	1.13
	lbs	1.4	2.0	2.2	2.5
Sound Pressure	dB(A)	82	82	82	82
	dB(C)	108	108	108	108
Vibration	m/s ²	0.017	0.017	0.017	0.017

EUROPE

medmix Switzerland AG

Ruetistrasse 7,
9469 Haag, Switzerland
Phone: +41 81 414 70 00
Email: sales.industry@medmix.com
Website: medmix.swiss

EC REP

medmix Deutschland GmbH

Zum Kesselort 53,
24149 Kiel, Germany

USA, SOUTH AMERICA, CANADA AND MEXICO

medmix US Inc.

8 Willow St,
Salem, NH 03079, USA
Phone: +1 603 893 2727
Email: sales.industry@medmix.com
Website: medmix.swiss

UK AND IRELAND



medmix UK Ltd

2 Tealgate, Charnham Park, Hungerford
Berkshire, RG17 0YT, United Kingdom
Phone: +44 (0)1488 647 800
Email: cox-mkorders@medmix.com
Website: coxdispensers.com

ASIA PACIFIC

medmix China Ltd

68 Bei Dou Lu,
Minhang District,
Shanghai 200245, P.R. China
Phone: +86 (21)6430 6868
Email: sales.industry@medmix.com
Website: medmix.swiss

Legal Notice: The information contained in this publication is believed to be accurate and reliable but is not to be construed as implying any warranty or guarantee of performance. We waive any liability and indemnity for effects resulting from its application. All information herein is subject to change without notice.