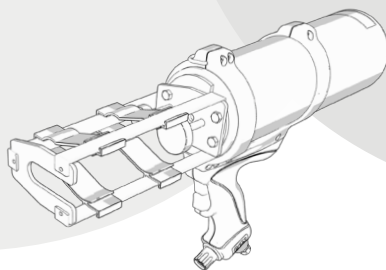
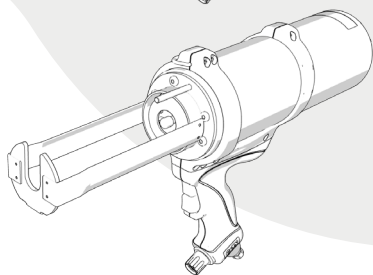
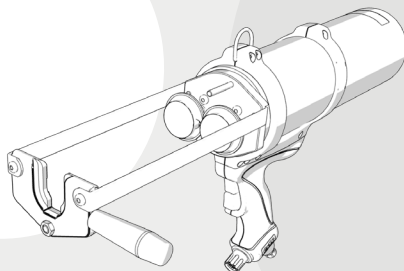
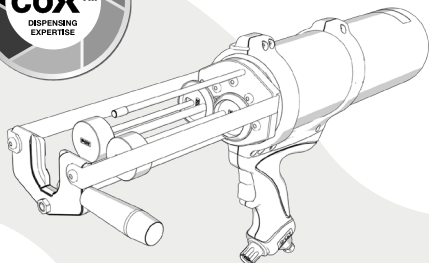


# COX™ AIRFLOW™ 3



















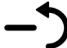

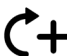






## 2-COMPONENT CARTRIDGE DISPENSERS

### CCA, VBA, PPA, RBA, VBA MR & PPA MR

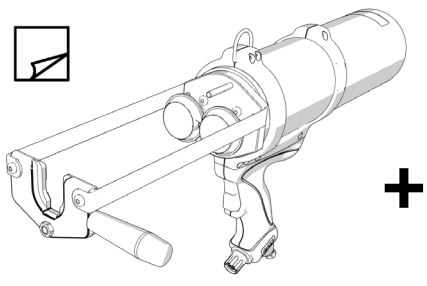
### MATERIAL DISPENSERS



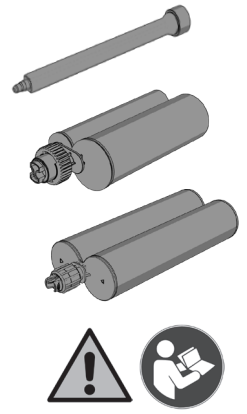
EN	USER HANDBOOK	AT	BENUTZERHANDBUCH	BG	РЪКОВОДСТВО НА ПОТРЕБИТЕЛЯ
CZ	UŽIVATELSKÁ PŘÍRUČKA	DE	GEBRAUCHSANWEISUNG	DK	BRUGERVEJLEDNING
EE	KASUTUSJUHEND	ES	MANUAL DE USUARIO	FI	KÄYTTÖOPAS
FR	MODE D'EMPLOI	GR	ΕΓΧΕΙΡΙΔΙΟ ΧΡΗΣΗΣ	HR	KORISNIČKI PRIRUČNIK
HU	FELHASZNÁLÓI KÉZIKÖNYV	IT	GUIDA UTENTE	JA	ユーザーマニュアル
LT	NAUDOTOJO VADOVAS	LV	LIETOTĀJA ROKASGRĀMATA	NL	GEBRUIKSAANWIJZING
NO	BRUKERHÅNDBOK	PO	INSTRUKCJA OBSŁUGI	PT	MANUAL DO USUÁRIO
RO	MANUALUL UTILIZATORULUI	SE	BRUKSANVISNING	SI	NAVODILA ZA UPORABO
SK	UŽIVATELSKÁ PŘÍRUČKA	TR	KULLANIM KILAVUZU	ZH	用戶手冊

Legend			
Clean with cloth		Full	
Hand crush		Nearly empty	
Read handbook		Use screwdriver	
Wear safety goggles		Use snips	
Wear safety gloves		Use pliers	
Disposal		Push	
Warning		Not OK	
Off		OK	
On		Lock	
Decrease flow		No lock	
Increase flow		Inspect label, replace if necessary	
Listen		Interruption of air supply	
Noise			
Anti drip			
Empty			

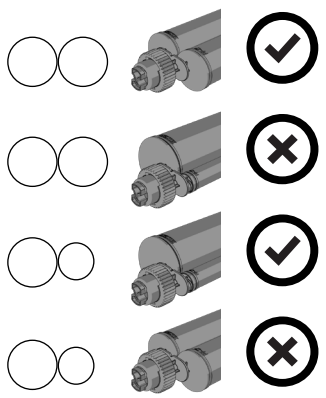
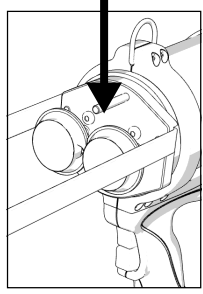
1



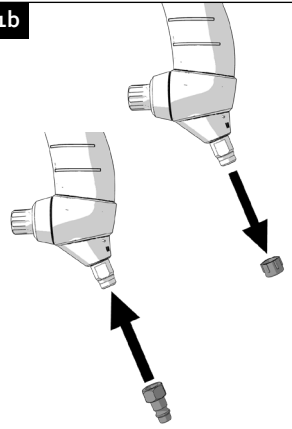
VBA PPA RBA



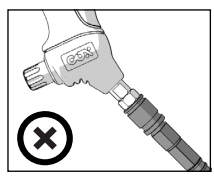
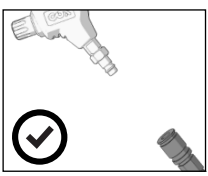
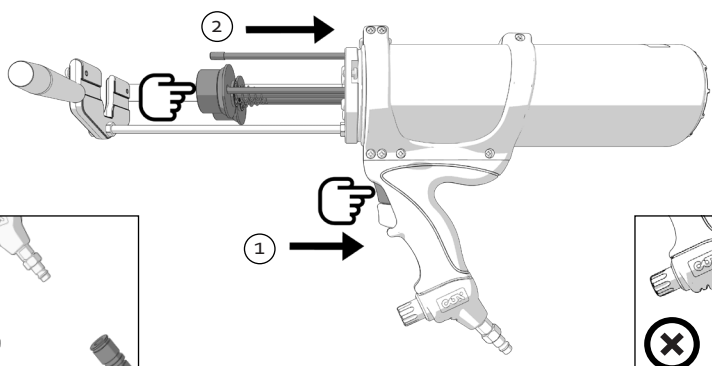
1a

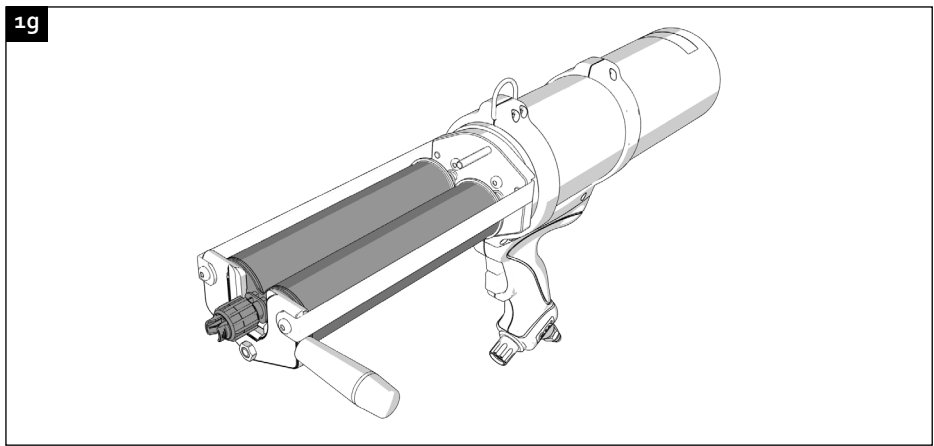
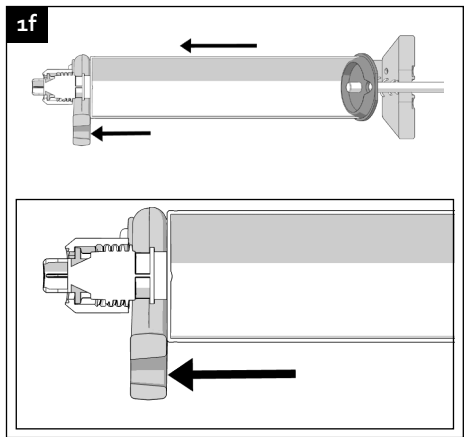
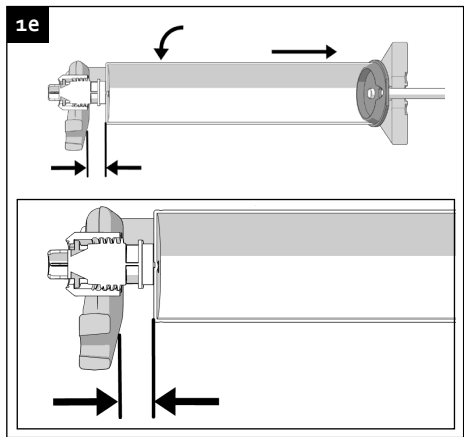
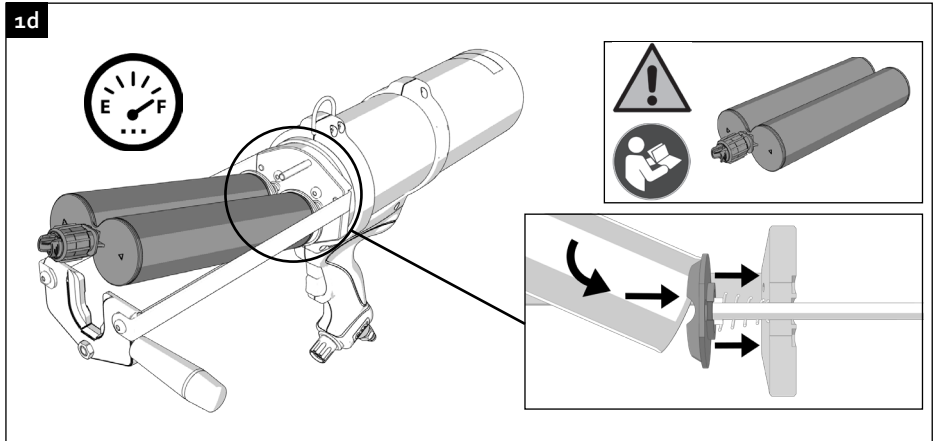


1b

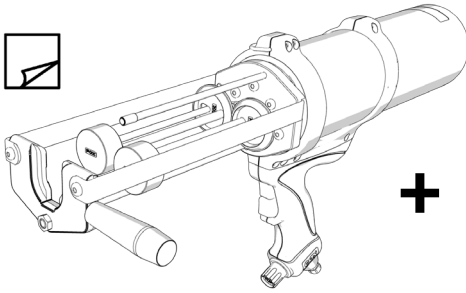


1c

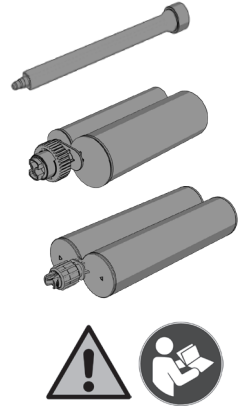




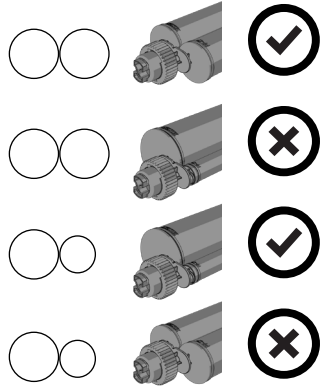
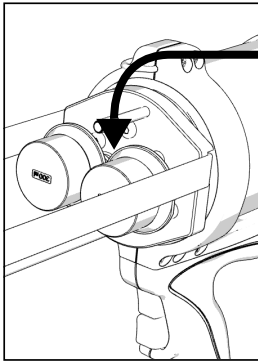
2



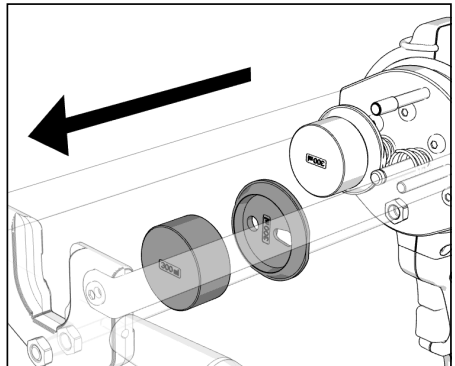
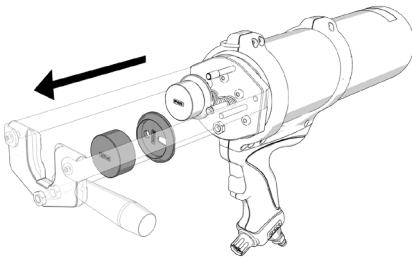
PPA (MR)

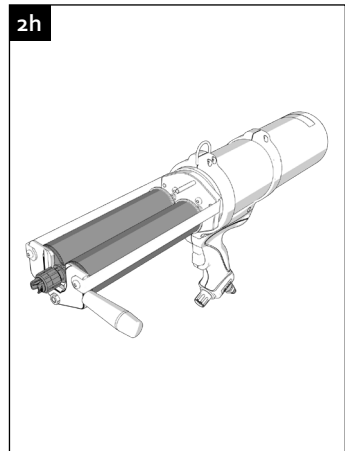
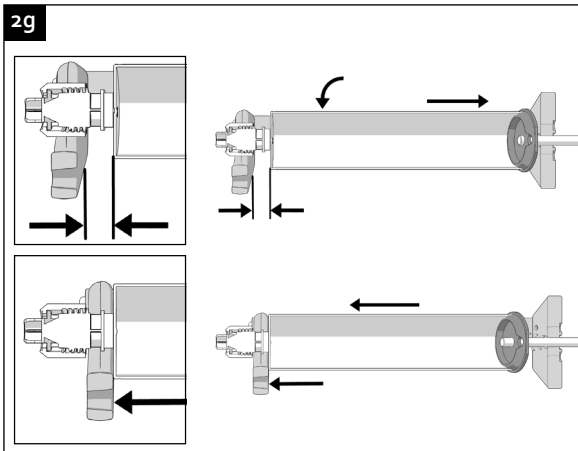
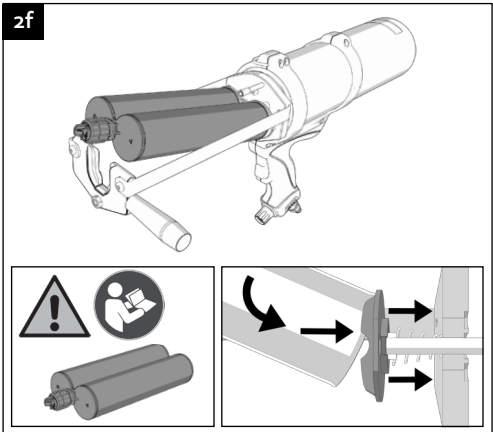
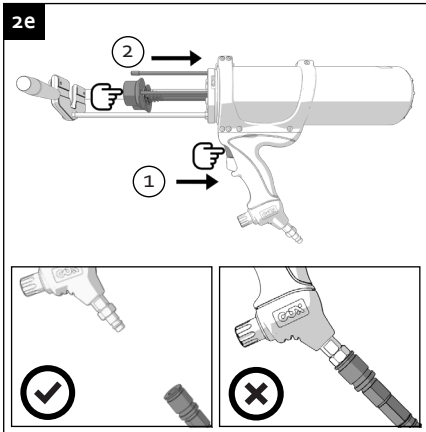
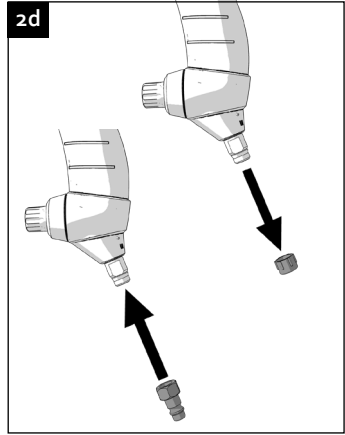
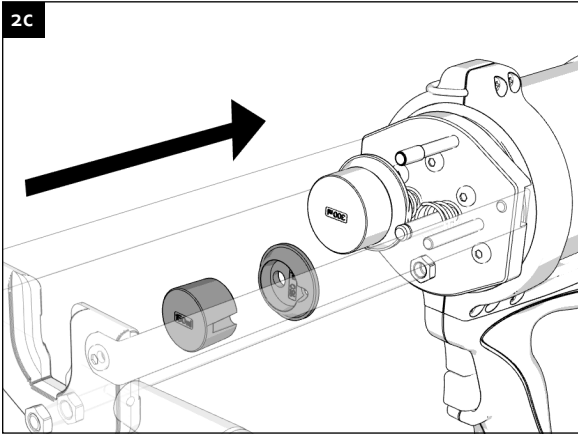


2a

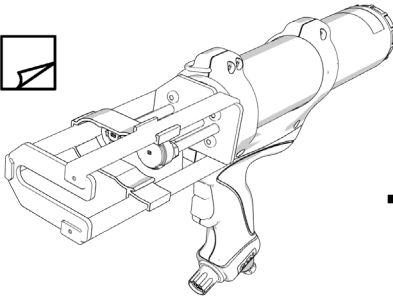


2b

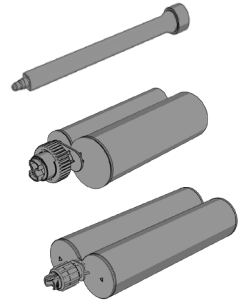




3

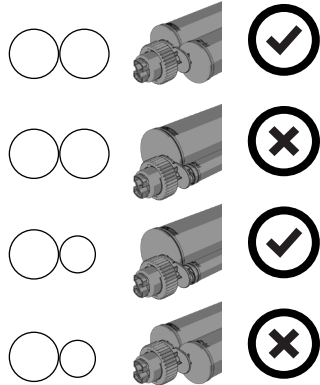
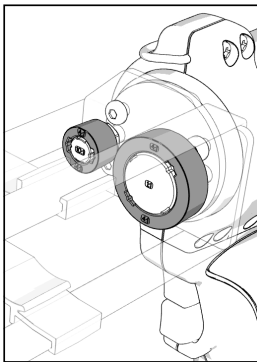


+

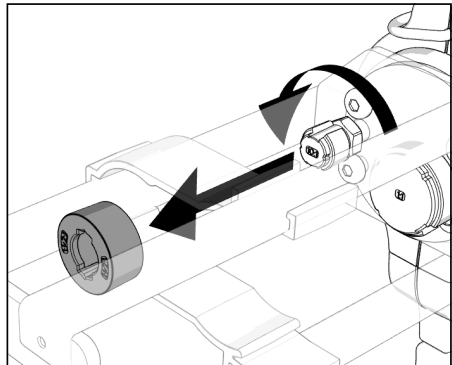
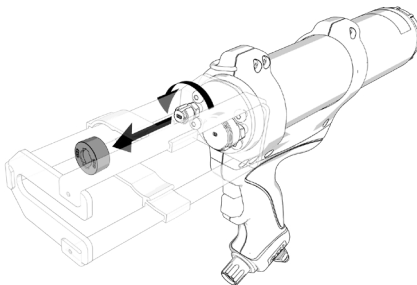


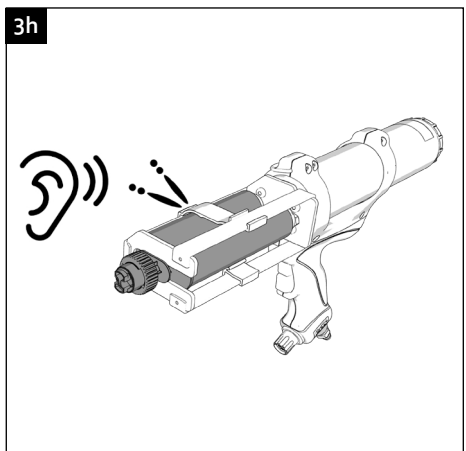
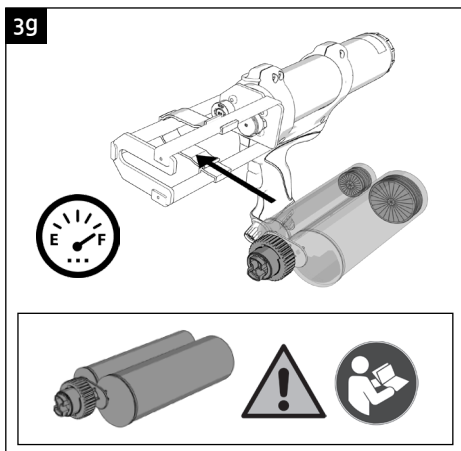
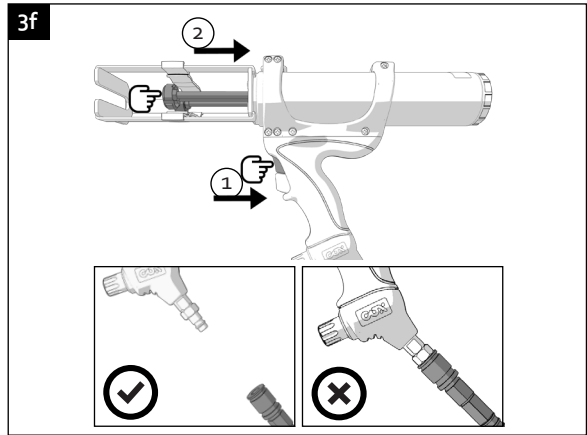
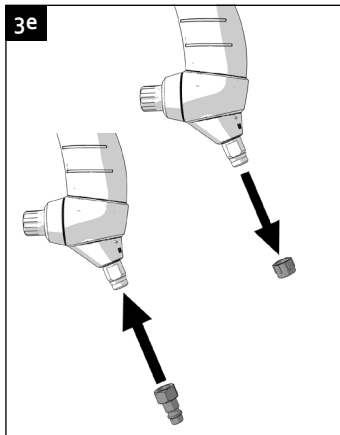
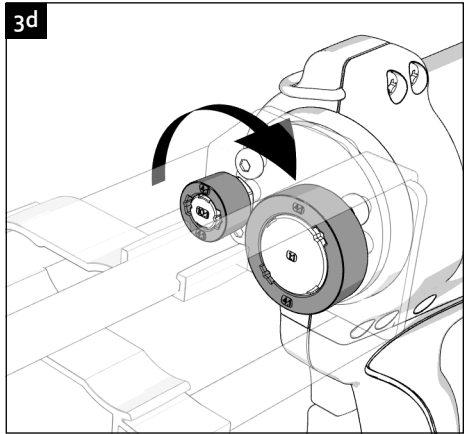
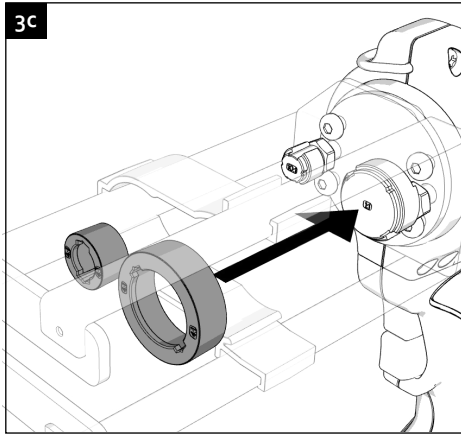
VBA (MR)

3a

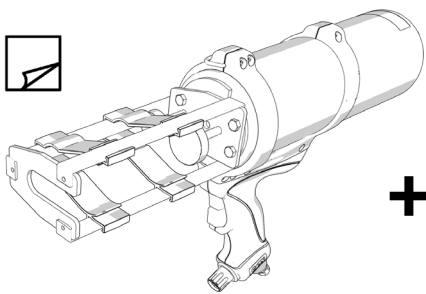


3b

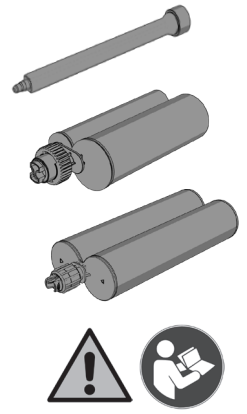




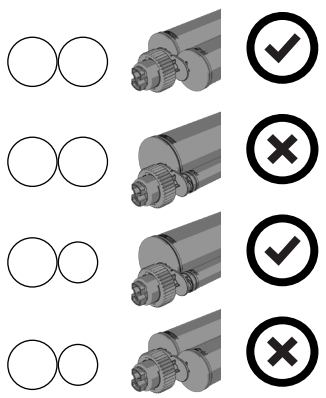
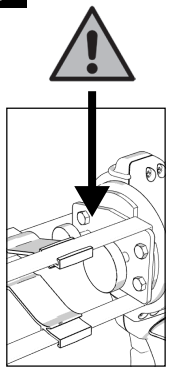
4



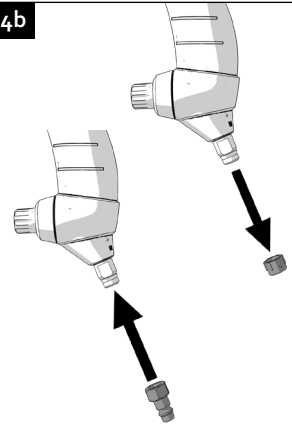
RBA VBA



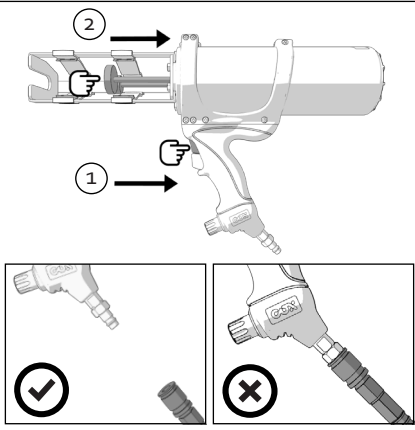
4a



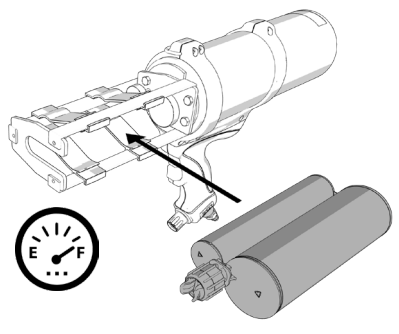
4b

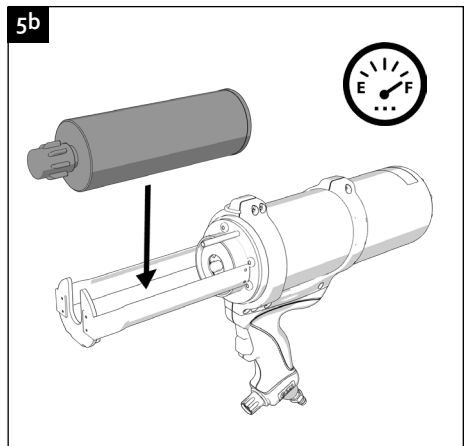
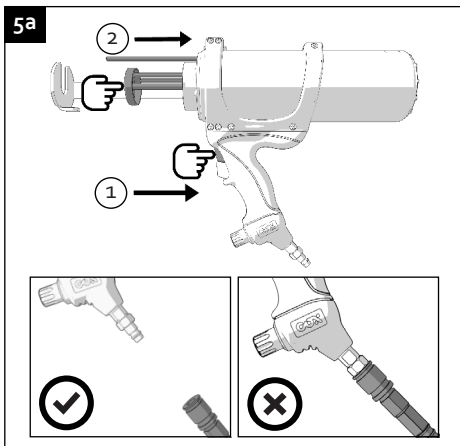
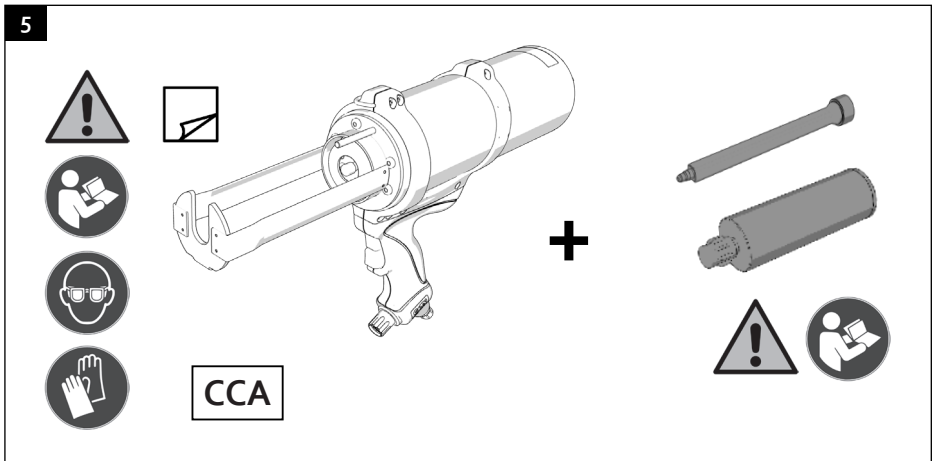
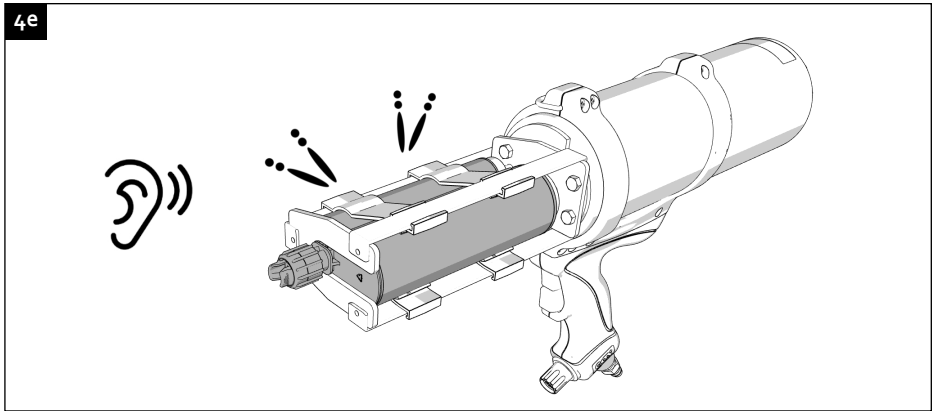


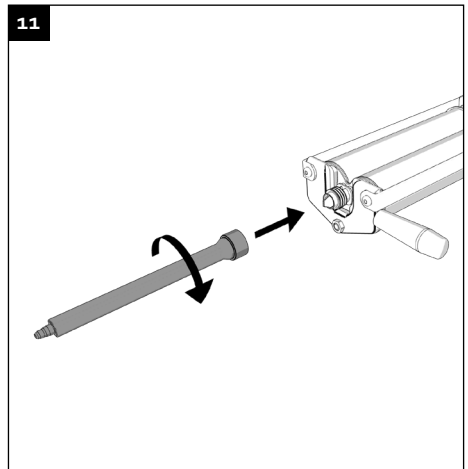
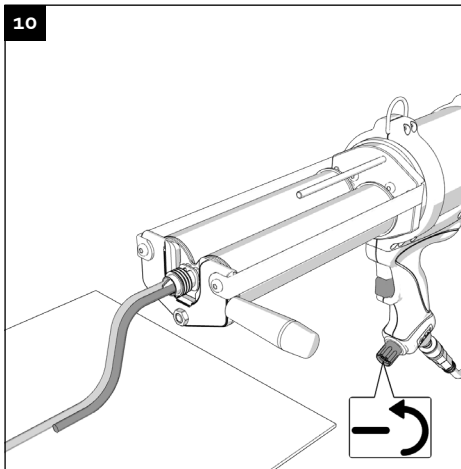
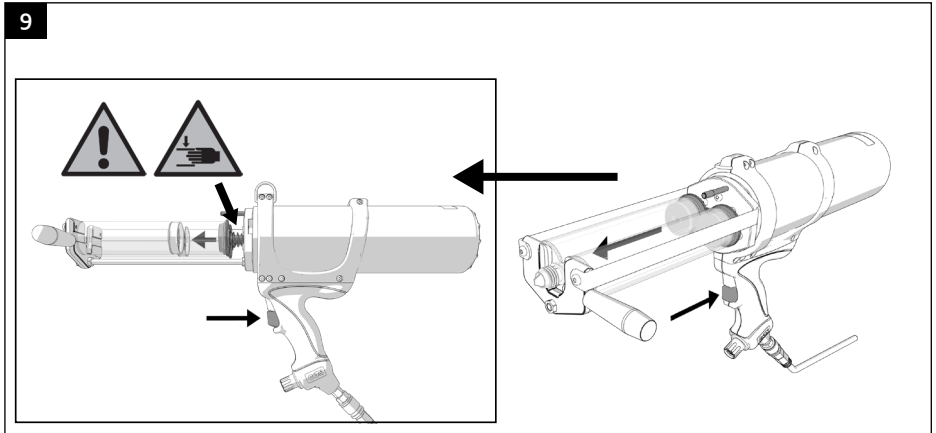
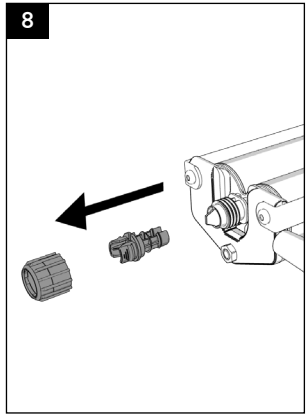
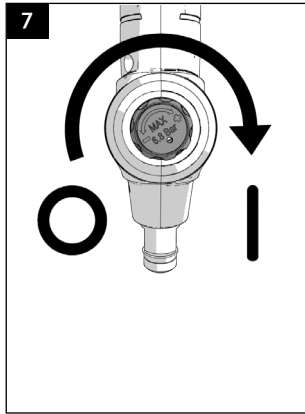
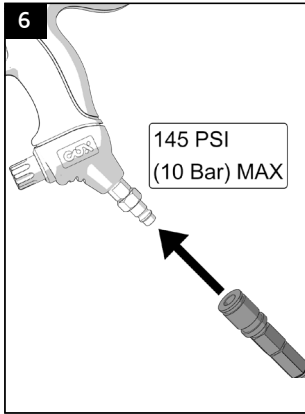
4c



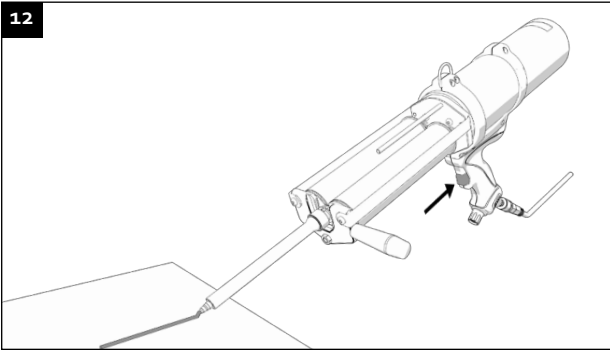
4d



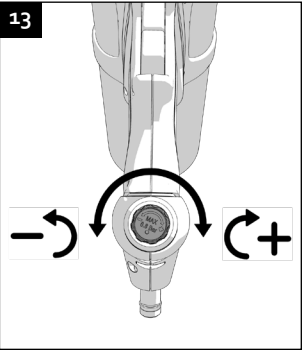




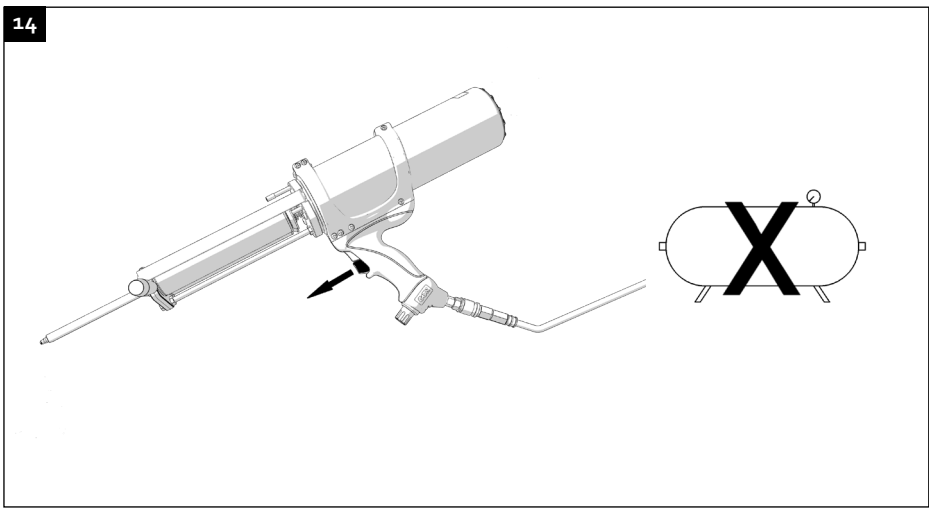
12



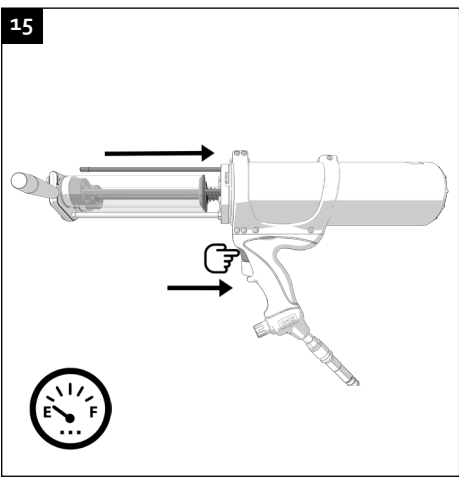
13



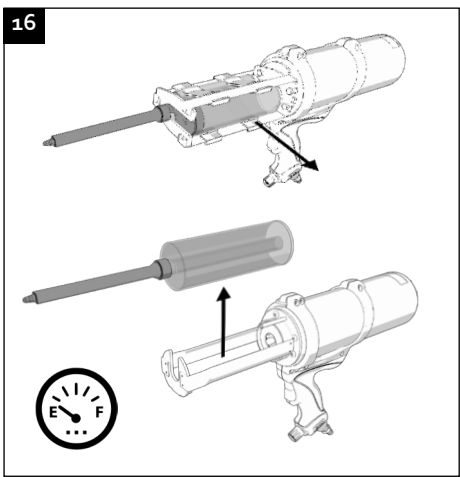
14



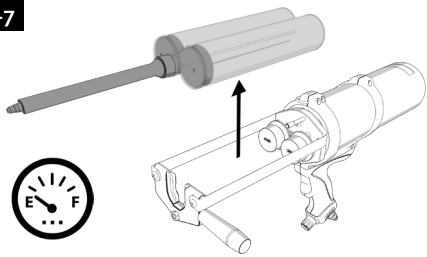
15



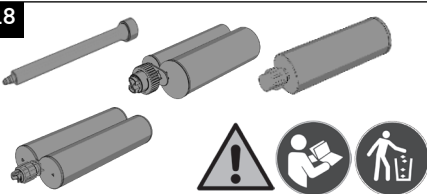
16



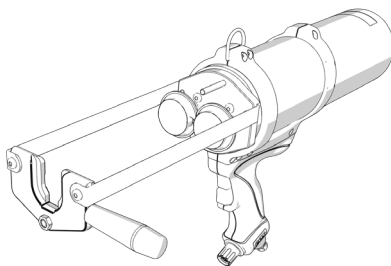
17

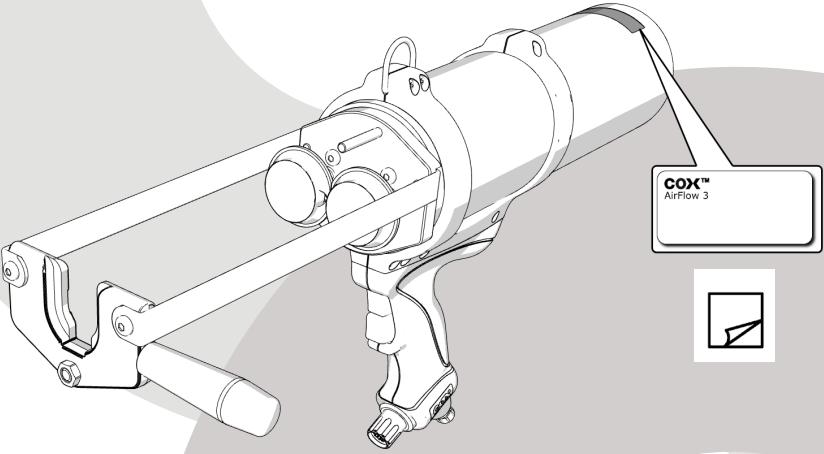
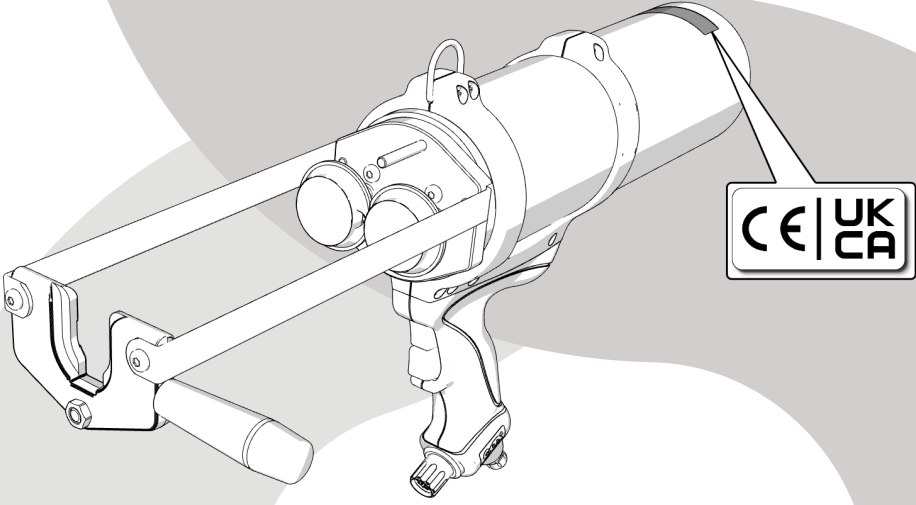


18



19





Technical Data		Product(s)				
		Airflow 3 - PPA 150B MR	Airflow 3 - PPA 300A	Airflow 3 - PPA 300B	Airflow 3 - RBA 200B	Airflow 3 - RBA 300B
Max Air Consumption	CFM	8	12	8	8	8
Max Operating Pressure	PSI	100	100	100	100	100
	Bar	6.8	6.8	6.8	6.8	6.8
Max Supply Pressure	PSI	145	145	145	145	145
	Bar	10	10	10	10	10
Operating Temperature Range	Min (°C)	+5	+5	+5	+5	+5
	Max (°C)	+40	+40	+40	+40	+40
	Min (°F)	+41	+41	+41	+41	+41
	Max (°F)	+104	+104	+104	+104	+104
Transport/ Storage Temperature Range	Min (°C)	0	0	0	0	0
	Max (°C)	+40	+40	+40	+40	+40
	Min (°F)	+32	+32	+32	+32	+32
	Max (°F)	+104	+104	+104	+104	+104
Relative Air Humidity (non-condensing)	Min (%)	30	30	30	30	30
	Max (%)	80	80	80	80	80
Air Hose Connection	inch	1/4 BSP male	1/4 BSP male	1/4 BSP male	1/4 BSP male	1/4 BSP male
Size (Height)	mm	276.0	311.0	276.0	276.0	276.0
	inch	10.9	12.2	10.9	10.9	10.9
Size (Length)	mm	620.0	609.0	594.0	453.0	594.0
	inch	24.4	24.0	23.4	17.8	23.4
Size (Width)	mm	91.0	191.0	101.0	101.0	101.0
	inch	3.6	7.5	4.0	4.0	4.0
Weight	kg	1.9	3.3	2.2	2.0	2.2
	lbs	4.1	7.2	4.9	4.3	4.9
Sound Pressure	dB(A)	59	65	63	63	63
	dB(C)	90	91	88	88	88
Vibration	m/s <sup>2</sup>	0.0183	0.0183	0.0183	0.0183	0.0183

Technical Data		Product(s)					
		Airflow 3 - RBA 385	Airflow 3 - RBA 585	Airflow 3 - VBA 100HP	Airflow 3 - VBA 200B MR	Airflow 3 - CBA 200C	Airflow 3 - CCA 380A
Max Air Consumption	CFM	12	12	8	8	12	12
Max Operating Pressure	PSI	100	100	100	100	125	100
	Bar	6.8	6.8	6.8	6.8	8.6	6.8
Max Supply Pressure	PSI	145	145	145	145	145	145
	Bar	10	10	10	10	10	10
Operating Temperature Range	Min (°C)	+5	+5	+5	+5	+5	+5
	Max (°C)	+40	+40	+40	+40	+40	+40
	Min (°F)	+41	+41	+41	+41	+41	+41
	Max (°F)	+104	+104	+104	+104	+104	+104
Transport/ Storage Temperature Range	Min (°C)	0	0	0	0	0	0
	Max (°C)	+40	+40	+40	+40	+40	+40
	Min (°F)	+32	+32	+32	+32	+32	+32
	Max (°F)	+104	+104	+104	+104	+104	+104
Relative Air Humidity (non-condensing)	Min (%)	30	30	30	30	30	30
	Max (%)	80	80	80	80	80	80
Air Hose Connection	inch	1/4 BSP male	1/4 BSP male	1/4 BSP male	1/4 BSP male	1/4 BSP male	1/4 BSP male
Size (Height)	mm	311.0	311.0	276.0	276.0	276.0	311.0
	inch	12.2	12.2	10.9	10.9	10.9	12.2
Size (Length)	mm	515.0	658.0	540.0	480.0	453.0	518.0
	inch	20.3	25.9	21.3	18.9	17.8	20.4
Size (Width)	mm	117.0	119.0	95.0	91.0	101.0	117.0
	inch	4.6	4.7	3.7	3.6	4.0	4.6
Weight	kg	2.2	2.2	1.7	2.2	2.0	2.5
	lbs	4.9	4.9	3.7	4.8	4.3	5.5
Sound Pressure	dB(A)	65	65	63	57	65	65
	dB(C)	91	91	88	85	91	91
Vibration	m/s <sup>2</sup>	0.0183	0.0183	0.0183	0.0183		

## EUROPE

### medmix Switzerland AG

Ruetistrasse 7,  
9469 Haag, Switzerland  
Phone: +41 81 414 70 00  
Email: [sales.industry@medmix.com](mailto:sales.industry@medmix.com)  
Website: [medmix.swiss](http://medmix.swiss)

EC REP

### medmix Deutschland GmbH

Zum Kesselort 53,  
24149 Kiel, Germany

## USA, SOUTH AMERICA, CANADA AND MEXICO

### medmix US Inc.

8 Willow St,  
Salem, NH 03079, USA  
Phone: +1 603 893 2727  
Email: [sales.industry@medmix.com](mailto:sales.industry@medmix.com)  
Website: [medmix.swiss](http://medmix.swiss)

## UK AND IRELAND

### medmix UK Ltd

2 Tealgate, Charnham Park, Hungerford  
Berkshire, RG17 0YT, United Kingdom  
Phone: +44 (0)1488 647 800  
Email: [cox-mkorders@medmix.com](mailto:cox-mkorders@medmix.com)  
Website: [coxdispensers.com](http://coxdispensers.com)

## ASIA PACIFIC

### medmix China Ltd

68 Bei Dou Lu,  
Minhang District,  
Shanghai 200245, P.R. China  
Phone: +86 (21)6430 6868  
Email: [sales.industry@medmix.com](mailto:sales.industry@medmix.com)  
Website: [medmix.swiss](http://medmix.swiss)

Legal Notice: The information contained in this publication is believed to be accurate and reliable but is not to be construed as implying any warranty or guarantee of performance. We waive any liability and indemnity for effects resulting from its application. All information herein is subject to change without notice.