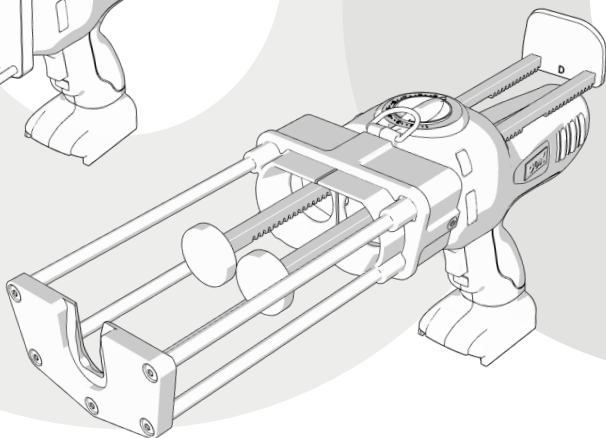
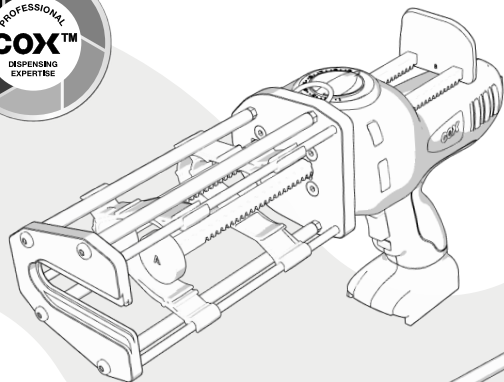


# COX™ ELECTRAFLOW™ DUAL ULTRA 400 MR, DUAL ULTRA 600 1:1 MATERIAL DISPENSERS



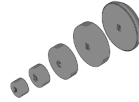
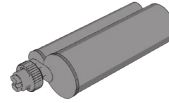
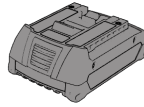
EN	USER HANDBOOK	AT	BENUTZERHANDBUCH	BG	РЪКОВОДСТВО НА ПОТРЕБИТЕЛЯ
CZ	UŽIVATELSKÁ PŘÍRUČKA	DE	GEBRAUCHSANWEISUNG	DK	BRUGERVEJLEDNING
EE	KASUTUSJUHEND	ES	MANUAL DE USUARIO	FI	KÄYTTÖOPAS
FR	MODE D'EMPLOI	GR	ΕΓΧΕΙΡΙΔΙΟ ΧΡΗΣΗΣ	HR	KORISNIČKI PRIRUČNIK
HU	FELHASZNÁLÓI KÉZIKÖNYV	IT	GUIDA UTENTE	JA	ユーザーマニュアル
LT	NAUDOTOJO VADOVAS	LV	LIETOTĀJA ROKASGRĀMATA	NL	GEBRUIKSAANWIJZING
NO	BRUKERHÅNDBOK	PO	INSTRUKCJA OBSŁUGI	PT	MANUAL DO USUÁRIO
RO	MANUALUL UTILIZATORULUI	SE	BRUKSANVISNING	SI	NAVODILA ZA UPORABO
SK	UŽIVATELSKÁ PŘÍRUČKA	TR	KULLANIM KILAVUZU	ZH	用戶手冊

## Legend

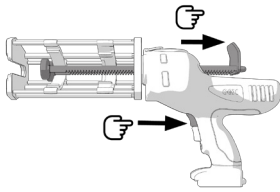
Clean with cloth		Full	
Hand crush		Nearly empty	
Read handbook		Use screwdriver	
Wear safety goggles		Use snips	
Wear safety gloves		Use pliers	
Disposal		Use spanner	
Warning		Push	
Off		Use hand	
On		Not OK	
Decrease flow		OK	
Increase flow		Lock	
Listen		No lock	
Noise		Battery charge	
Anti drip			
Empty			

1

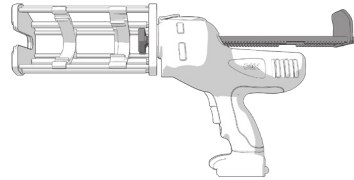
# DUAL ULTRA 400MR



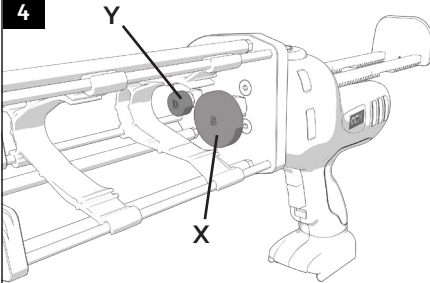
2



3

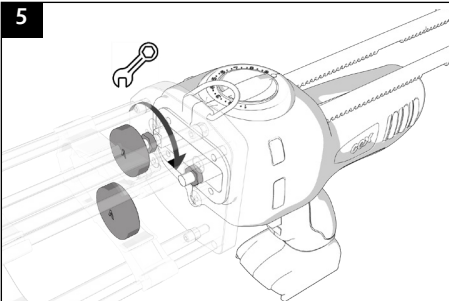


4

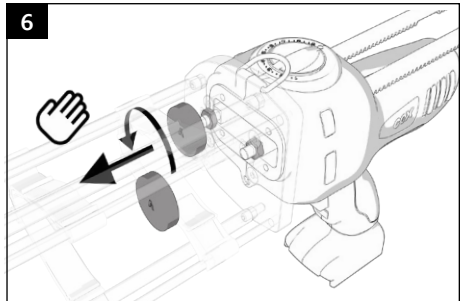


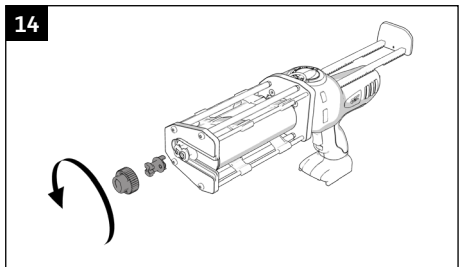
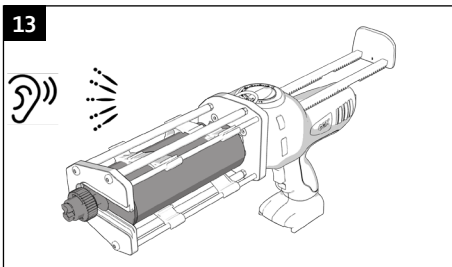
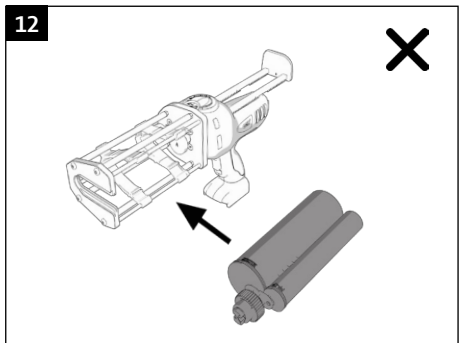
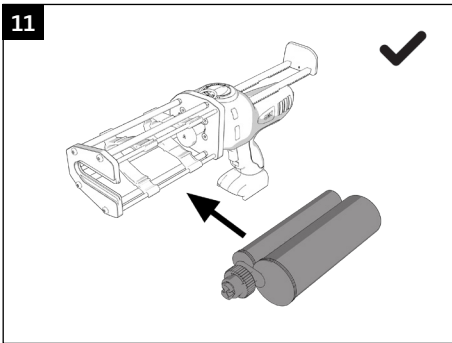
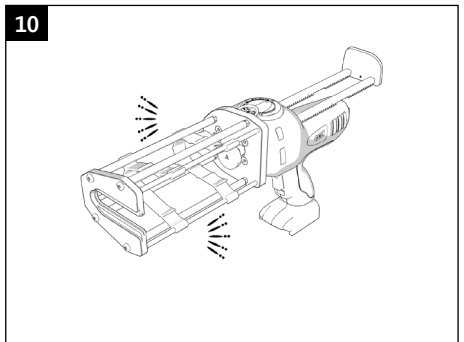
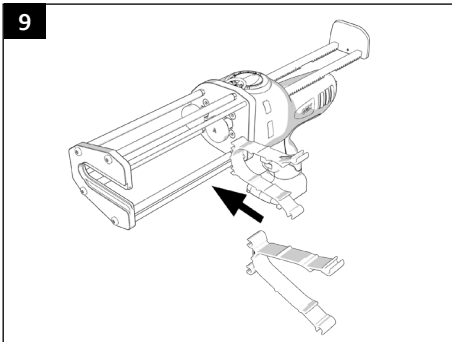
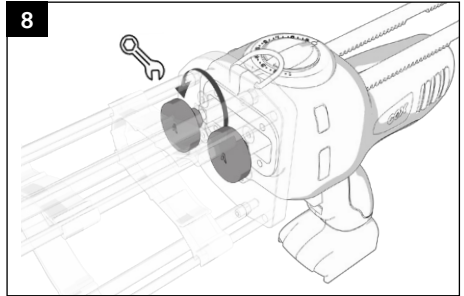
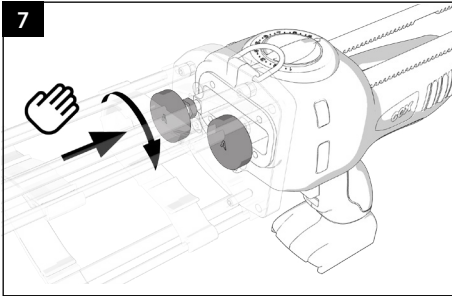
Cartridge Ratio	Right Hand Plunger (X)	Left Hand Plunger (Y)
1:1	A	A
2:1	B	C
4:1	B	D
10:1	E	F

5

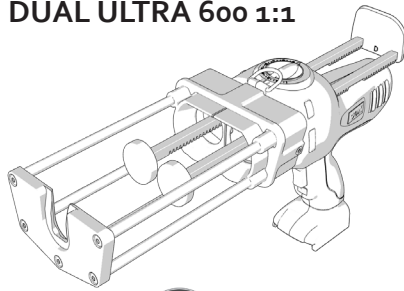


6

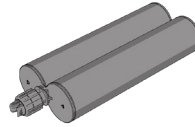
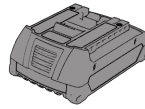




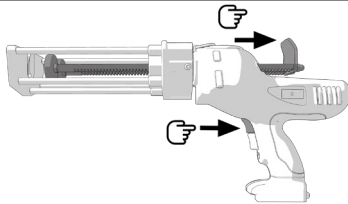
**15** DUAL ULTRA 600 1:1



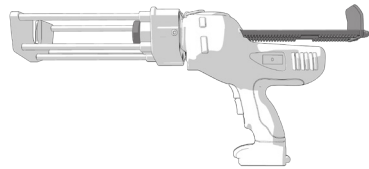
+



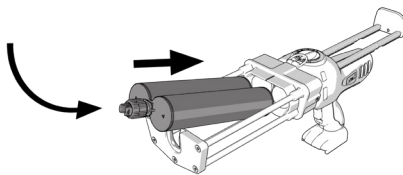
**16**



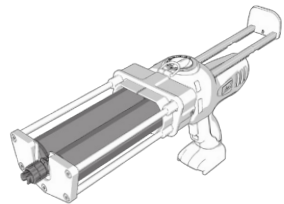
**17**



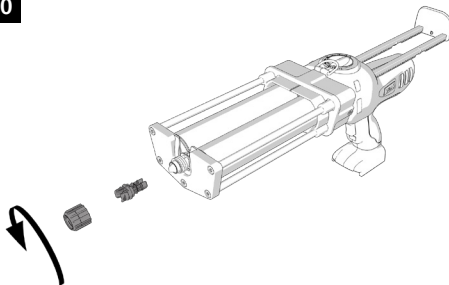
**18**

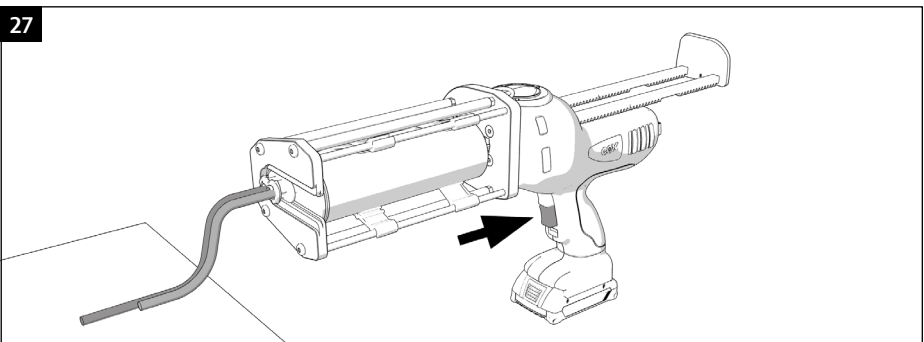
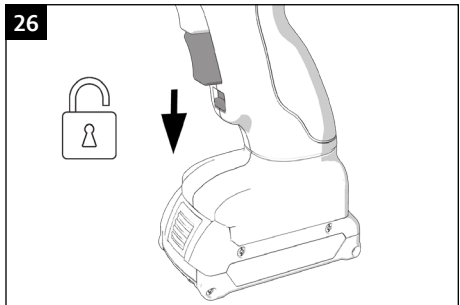
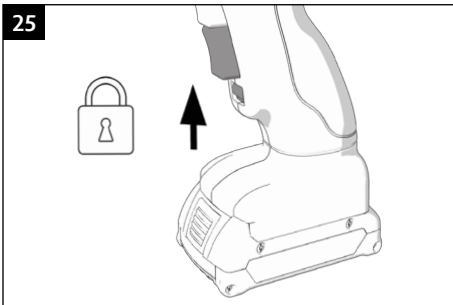
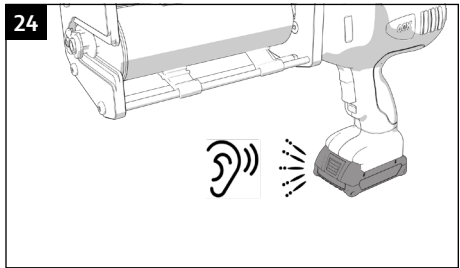
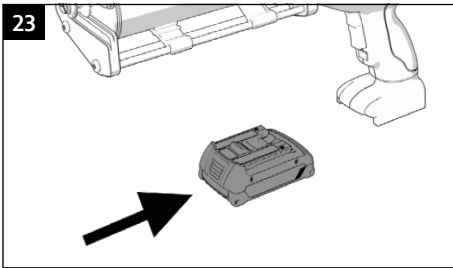
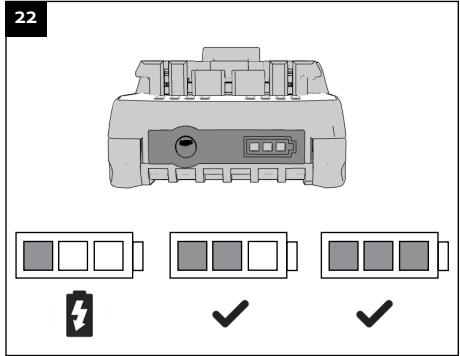
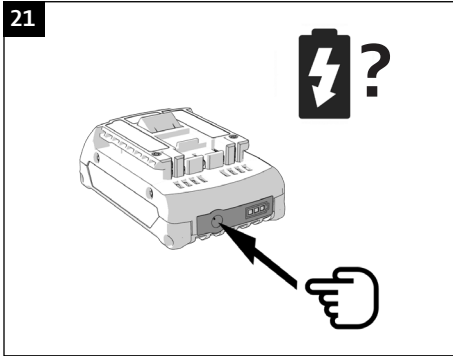


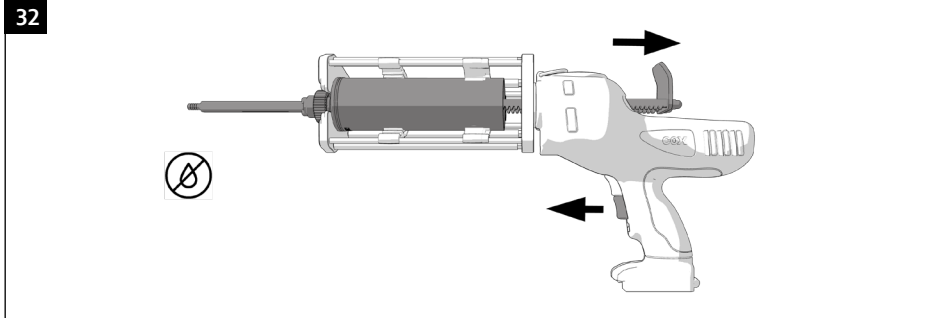
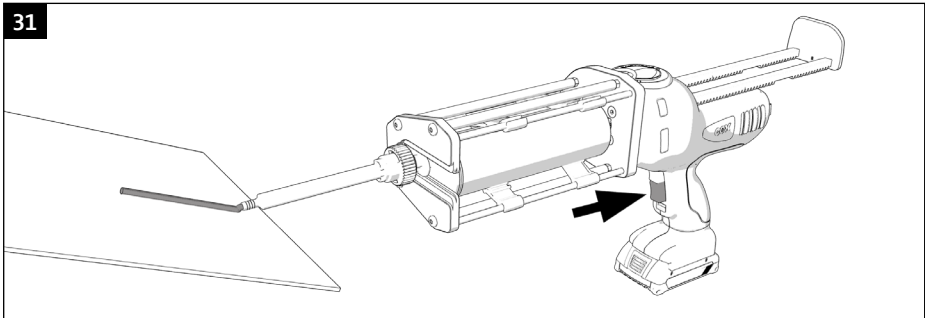
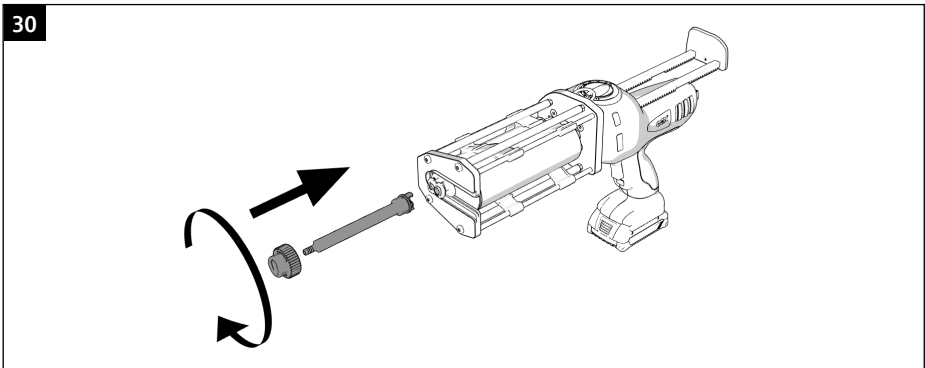
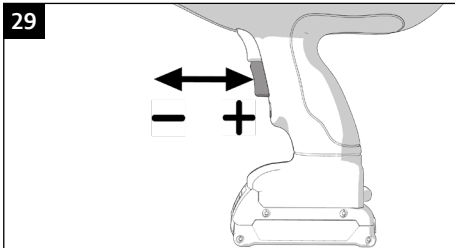
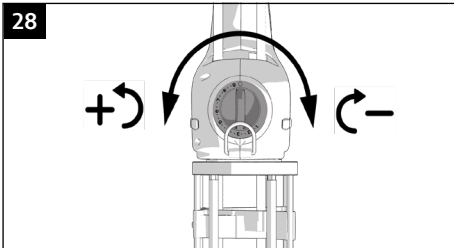
**19**

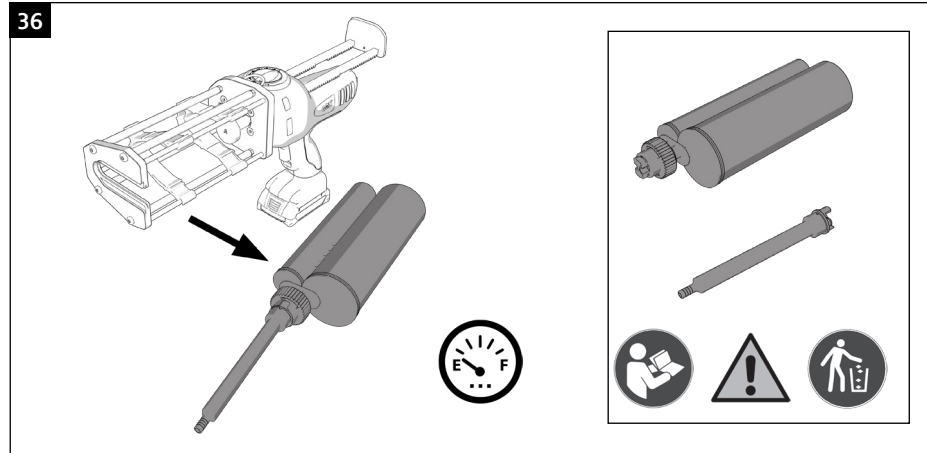
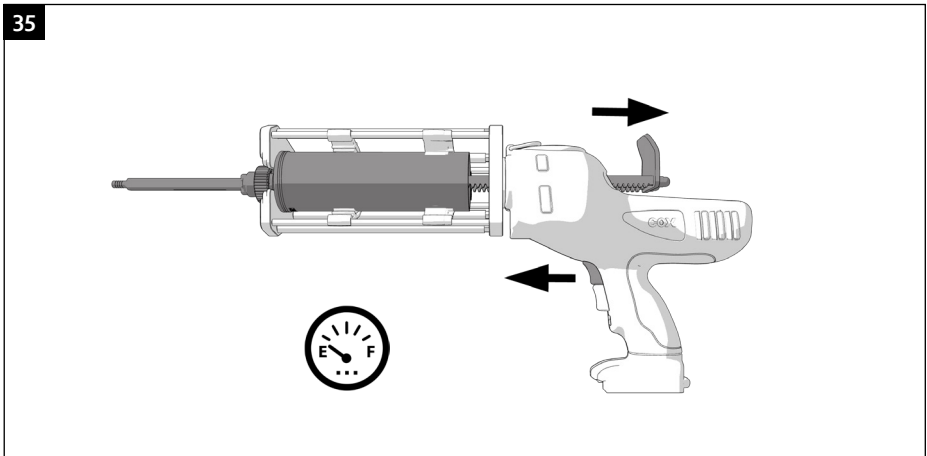
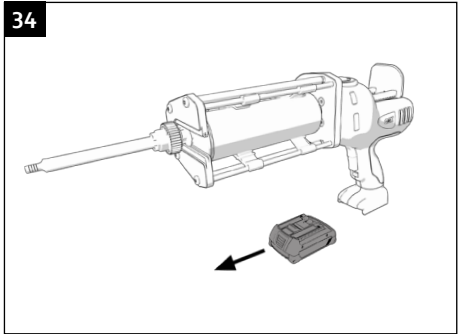
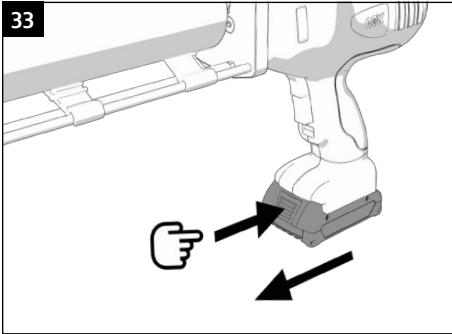


**20**

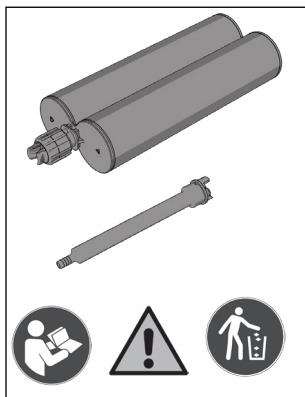
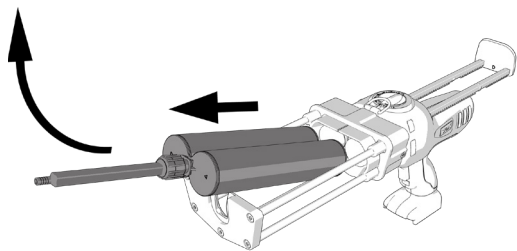




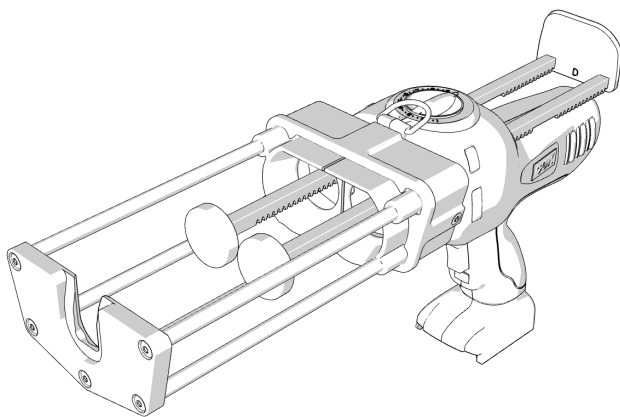
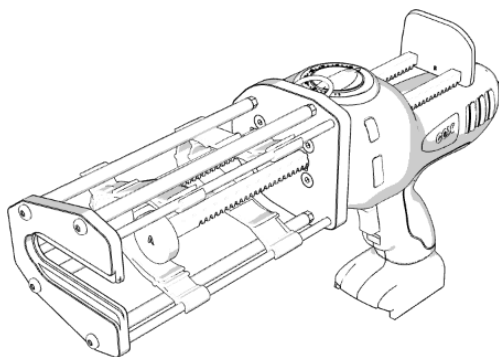


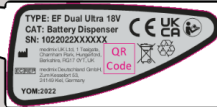
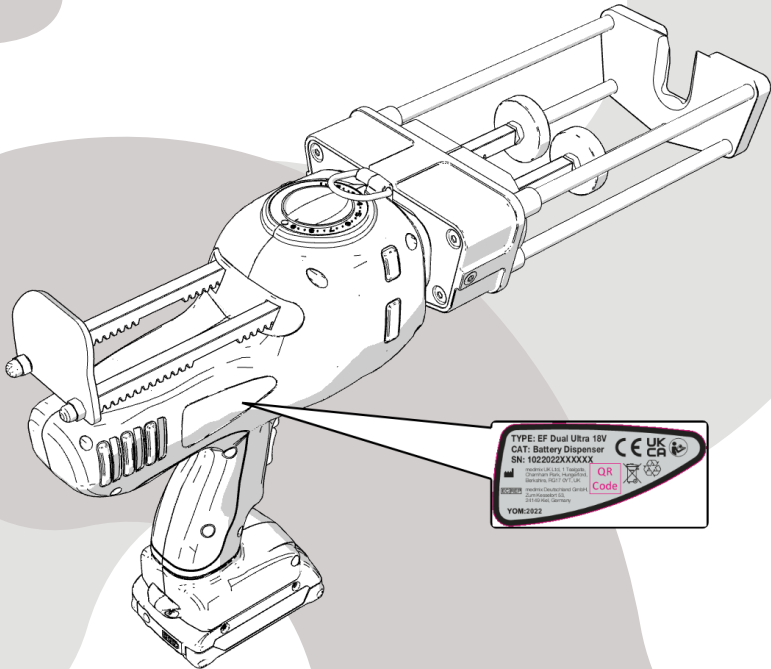
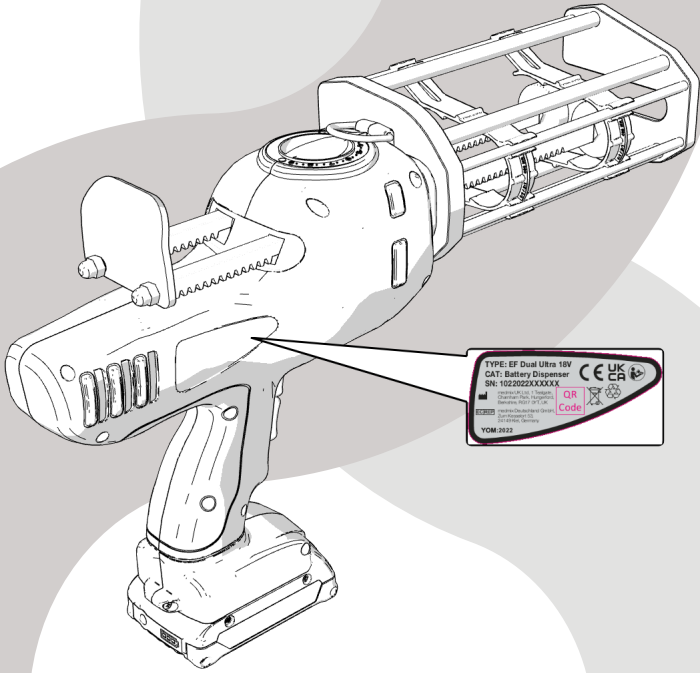


37



38





Technical Data		Product(s)	
		Electraflow Dual Ultra 400 MR	Electraflow Dual Ultra 600 1:1
Operating Force	kN	5	5
Voltage	V	18	18
Battery Capacity	Ah	2.0	2.0
Battery Charge	min	35	35
Battery Type	-	Li-ion	Li-ion
Operating Temperature Range	Min (°C)	+5	+5
	Max (°C)	+40	+40
	Min (°F)	+41	+41
	Max (°F)	+104	+104
Transport/ Storage Temperature Range	Min (°C)	0	0
	Max (°C)	+40	+40
	Min (°F)	+32	+32
	Max (°F)	+104	+104
Relative Air Humidity (non- condensing)	Min (%)	30	30
	Max (%)	80	80
Size (Height)	mm	283	283
	inch	11.1	11.1
Size (Length)	mm	477	521
	inch	18.8	20.5
Size (Width)	mm	114	151
	inch	4.5	5.9
Weight (With Battery)	kg	2.5 - 5	3.8
	lbs	5.5 - 11	8.4
Sound Pressure	dB(A)	58.7	58.7
	dB(C)	81.1	81.1
Vibration	m/s <sup>2</sup>	0.264	0.264

## EUROPE

### medmix Switzerland AG

Ruetistrasse 7,  
9469 Haag, Switzerland  
Phone: +41 81 414 70 00  
Email: sales.industry@medmix.com  
Website: medmix.swiss

EC REP

### medmix Deutschland GmbH

Zum Kesselort 53,  
24149 Kiel, Germany

## USA, SOUTH AMERICA, CANADA AND MEXICO

### medmix US Inc.

8 Willow St,  
Salem, NH 03079, USA  
Phone: +1 603 893 2727  
Email: sales.industry@medmix.com  
Website: medmix.swiss

## UK AND IRELAND

### medmix UK Ltd

2 Tealgate, Charnham Park, Hungerford  
Berkshire, RG17 0YT, United Kingdom  
Phone: +44 (0)1488 647 800  
Email: cox-mkorders@medmix.com  
Website: coxdispensers.com

## ASIA PACIFIC

### medmix China Ltd

68 Bei Dou Lu,  
Minhang District,  
Shanghai 200245, P.R. China  
Phone: +86 (21)6430 6868  
Email: sales.industry@medmix.com  
Website: medmix.swiss

Legal Notice: The information contained in this publication is believed to be accurate and reliable but is not to be construed as implying any warranty or guarantee of performance. We waive any liability and indemnity for effects resulting from its application. All information herein is subject to change without notice.