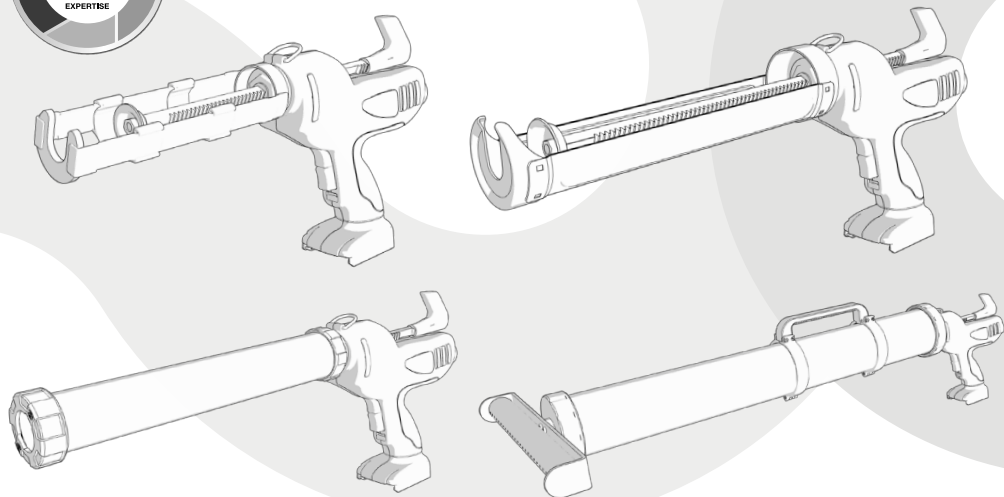




















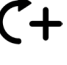






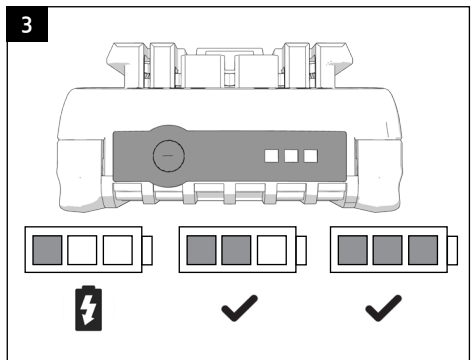
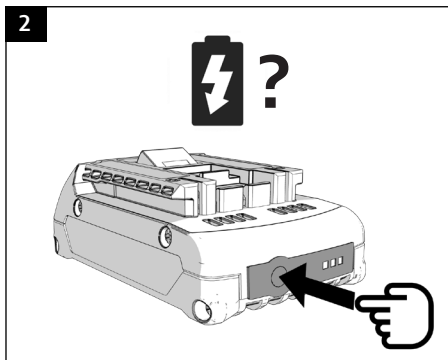
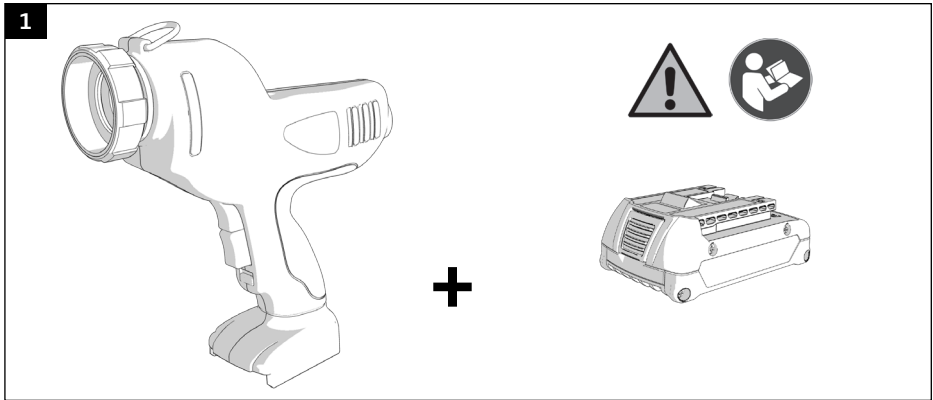


COX™ ELECTRAFLOW™ PLUS CARTRIDGE - COMBI - QUART - FLOORFIX MATERIAL DISPENSERS

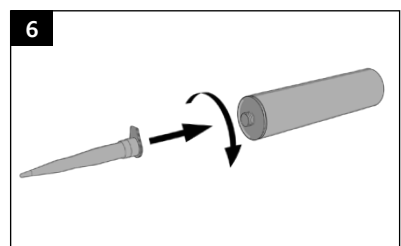
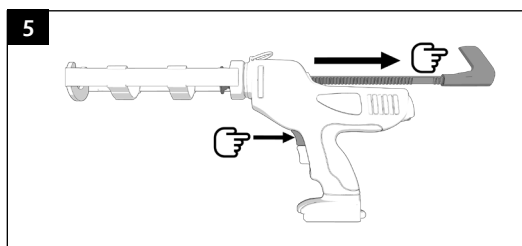
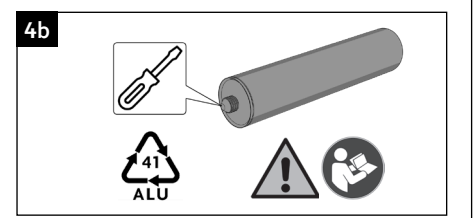
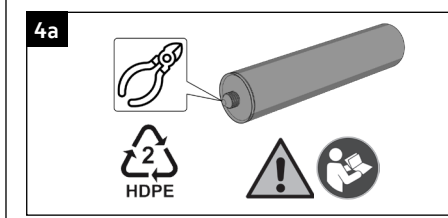


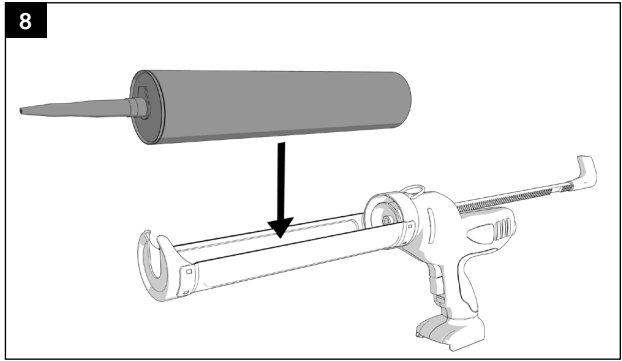
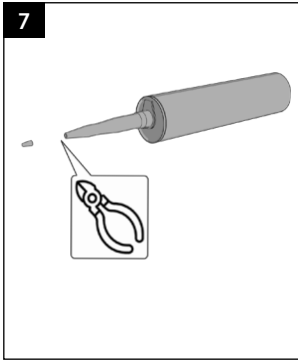
EN	USER HANDBOOK	AT	BENUTZERHANDBUCH	BG	РЪКОВОДСТВО НА ПОТРЕБИТЕЛЯ
CZ	UŽIVATELSKÁ PŘÍRUČKA	DE	GEBRAUCHSANWEISUNG	DK	BRUGERVEJLEDNING
EE	KASUTUSJUHEND	ES	MANUAL DE USUARIO	FI	KÄYTTÖOPAS
FR	MODE D'EMPLOI	GR	ΕΓΧΕΙΡΙΔΙΟ ΧΡΗΣΗΣ	HR	KORISNIČKI PRIRUČNIK
HU	FELHASZNÁLÓI KÉZIKÖNYV	IT	GUIDA UTENTE	JA	ユーザーマニュアル
LT	NAUDOTOJO VADOVAS	LV	LIETOTĀJA ROKASGRĀMATA	NL	GEBRUIKSAANWIJZING
NO	BRUKERHÅNDBOK	PO	INSTRUKCJA OBSŁUGI	PT	MANUAL DO USUÁRIO
RO	MANUALUL UTILIZATORULUI	SE	BRUKSANVISNING	SI	NAVODILA ZA UPORABO
SK	UŽIVATELSKÁ PŘÍRUČKA	TR	KULLANIM KILAVUZU	ZH	用戶手冊

Legend			
Clean with cloth		Full	
Hand crush		Nearly empty	
Read handbook		Use screwdriver	
Wear safety goggles		Use snips	
Wear safety gloves		Use pliers	
Disposal		Use spanner	
Warning		Push	
Off		Not OK	
On		OK	
Decrease flow		Lock	
Increase flow		No lock	
Listen		Battery charge	
Noise			
Anti drip			
Empty			

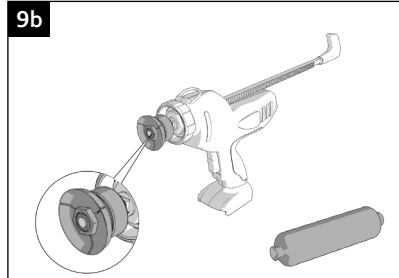
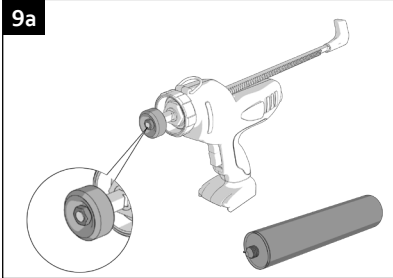


CARTRIDGE/QUART

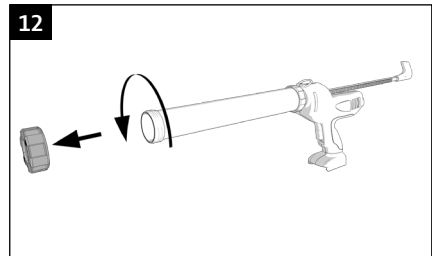
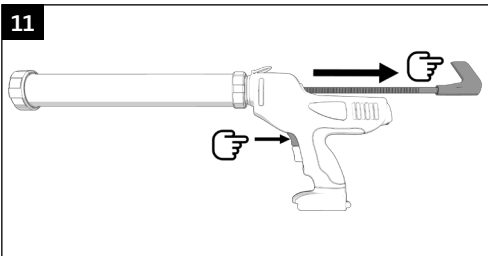
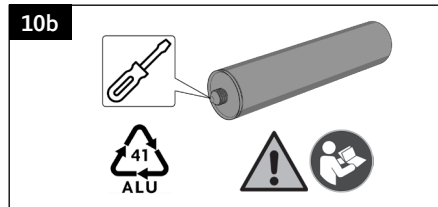
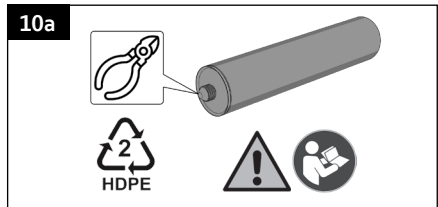


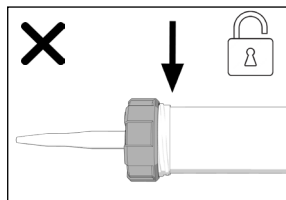
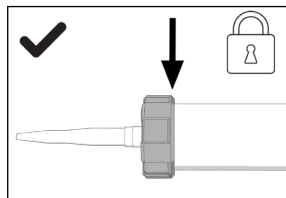
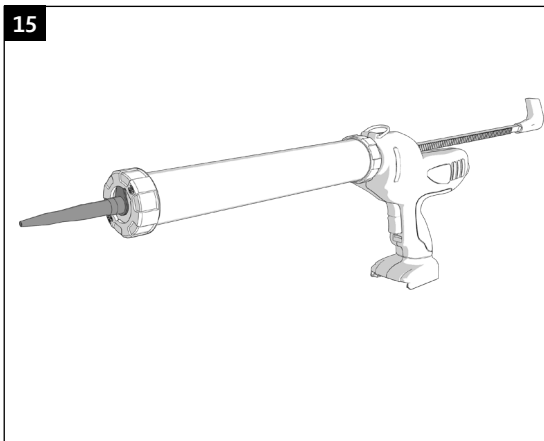
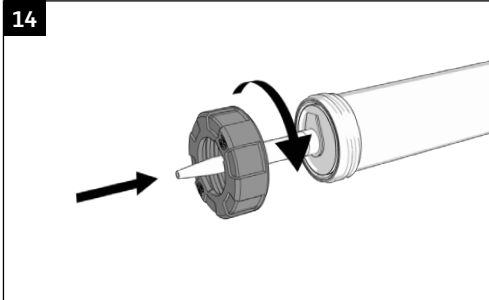
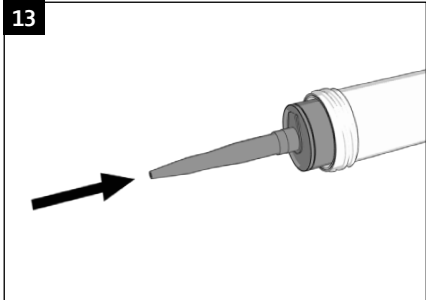


COMBI

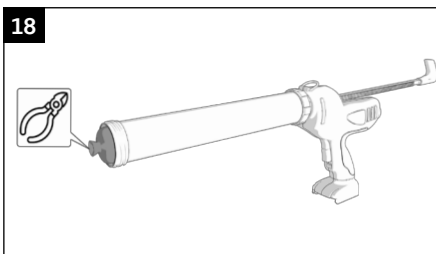
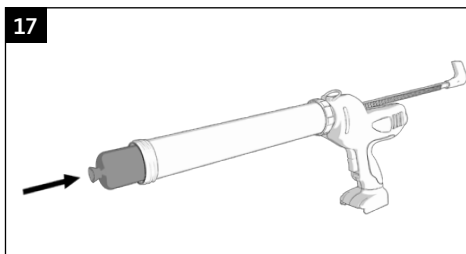


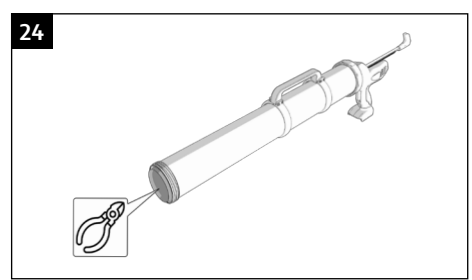
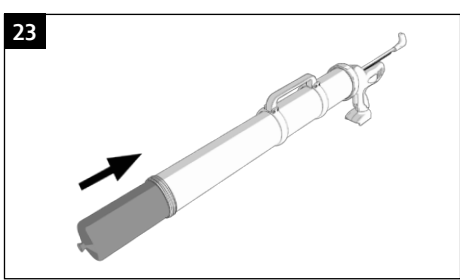
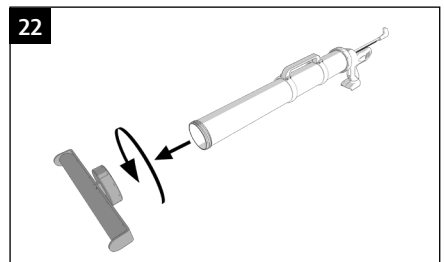
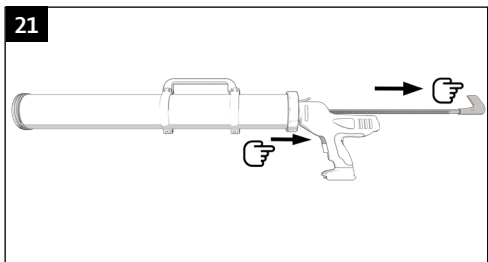
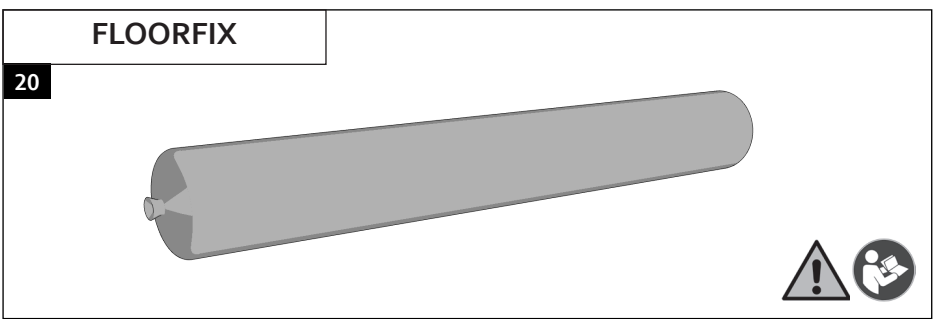
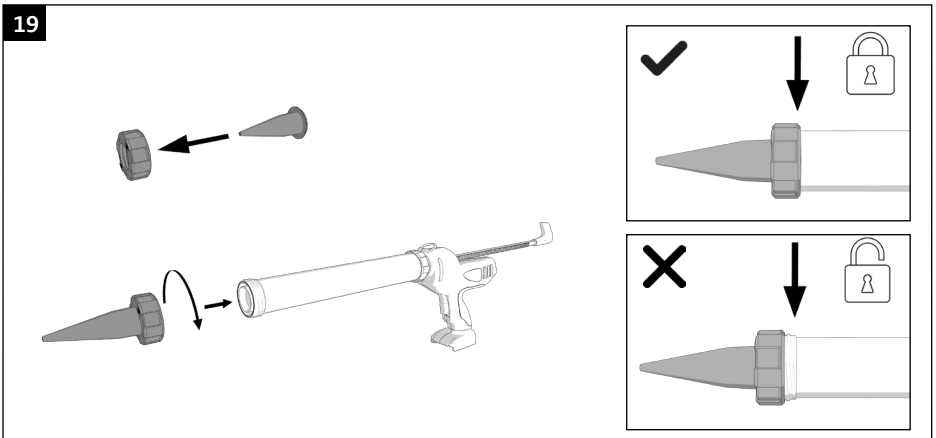
COMBI - CARTRIDGE



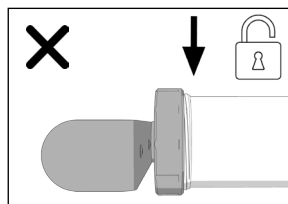
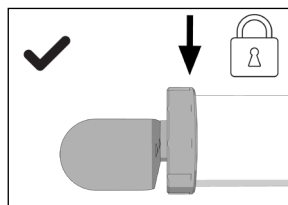
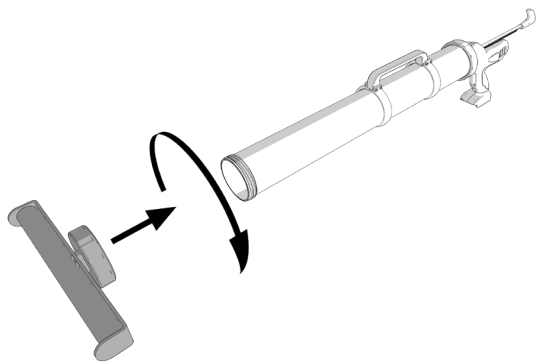


COMBI - SACHET

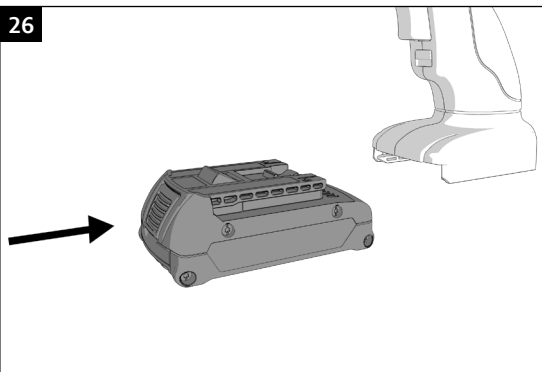




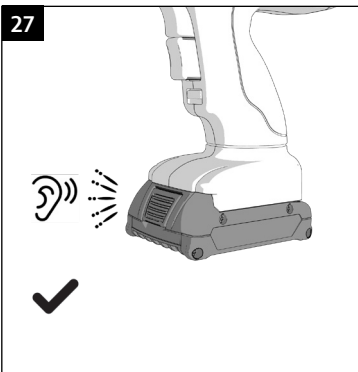
25



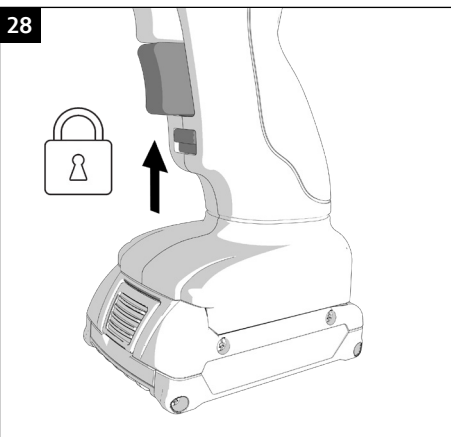
26



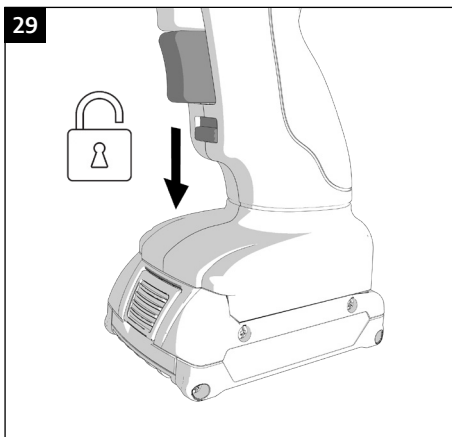
27

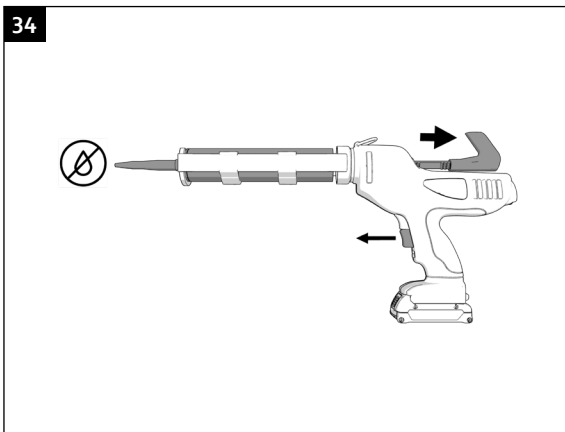
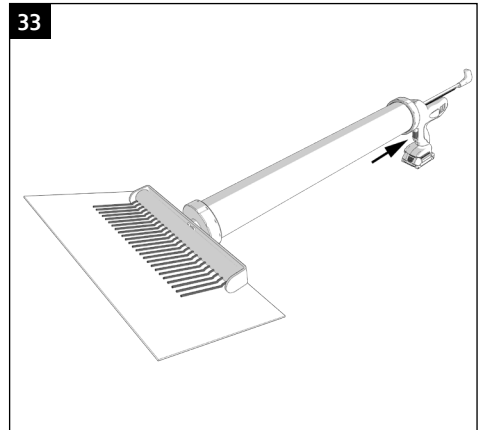
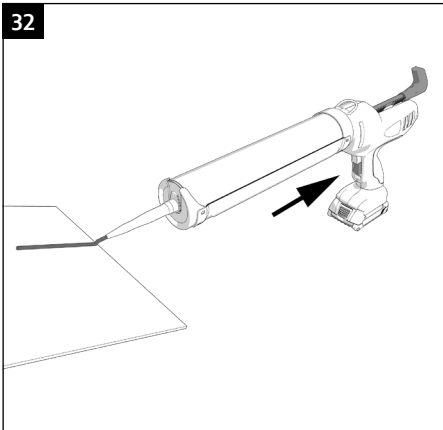
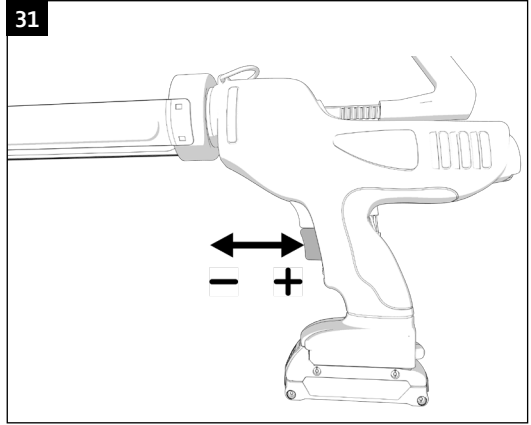
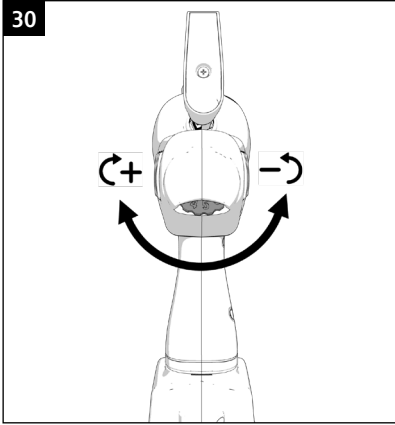


28

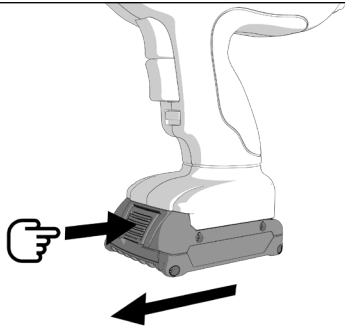


29

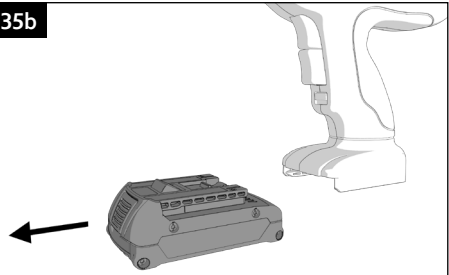




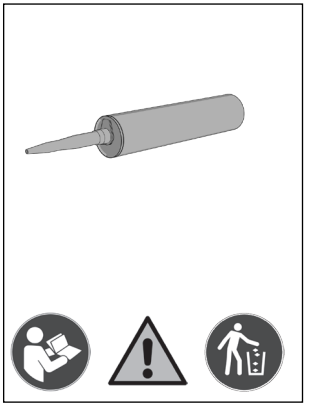
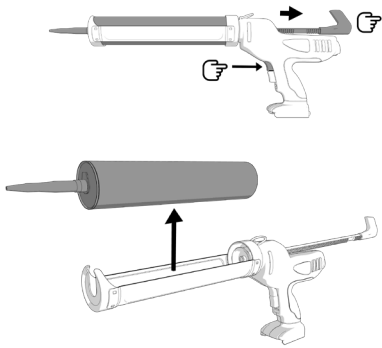
35a



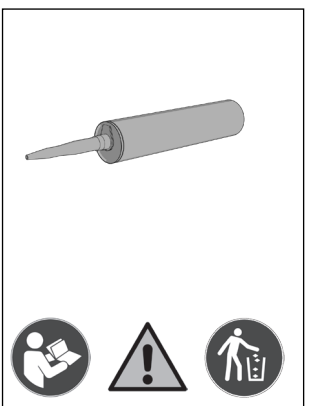
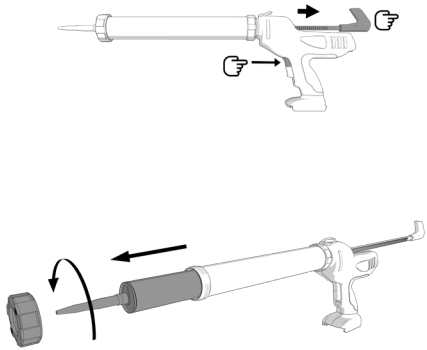
35b



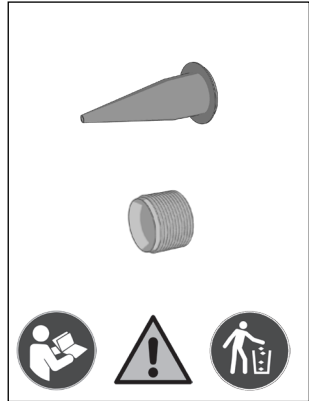
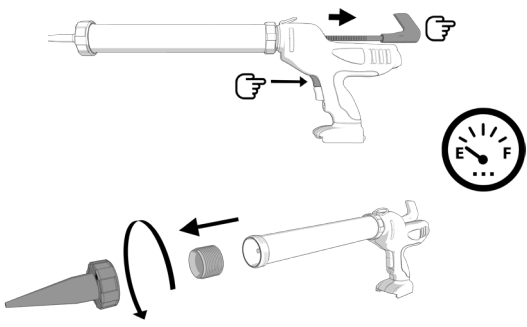
36



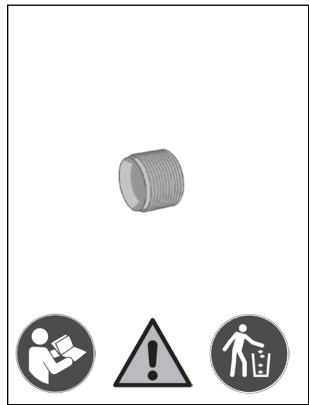
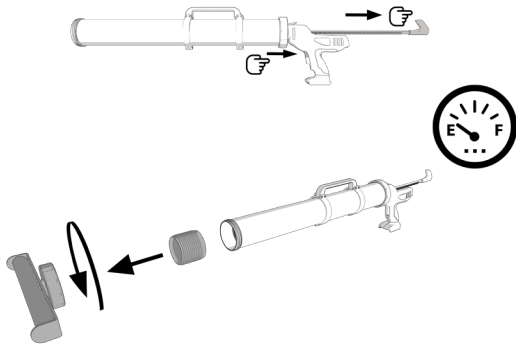
37



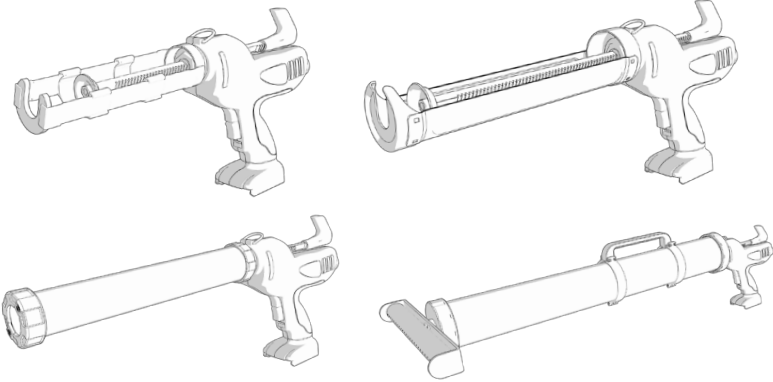
38



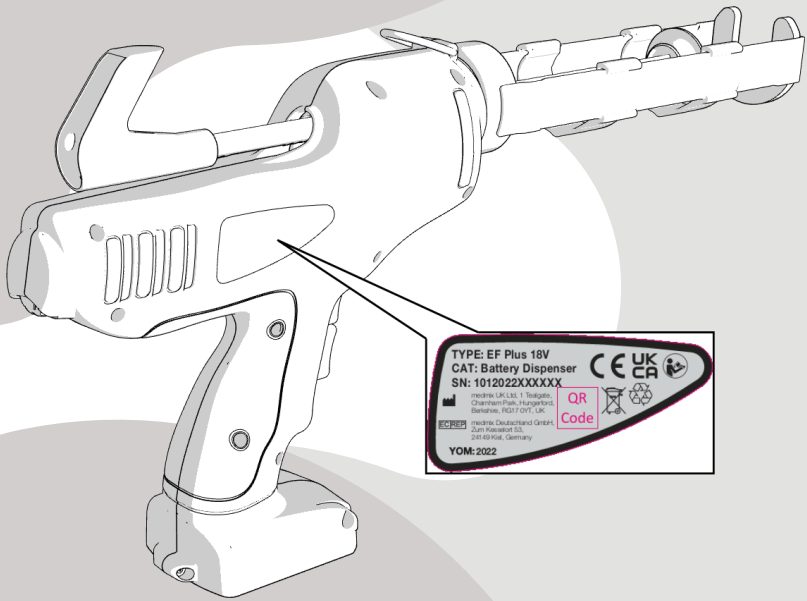
39



40







TYPE: EF Plus 18V
CAT: Battery Dispenser
SN: 1012022XXXXX

medmix, U.K. Ltd., 1, Seagrove,
Chatteris Road, Houghton,
Banbury, RG17 0YF, UK

medmix, Deutschland GmbH,
Zehn-Kilometer-Str.
39149 Kisl, Germany

YOM: 2022

CE UK CA

QR Code

Recycling symbols: crossed-out wheeled bin, recycling symbol, and a circular arrow symbol.

Technical Data		Product(s)			
		Electraflow Plus Cartridge	Electraflow Plus Combi 310	Electraflow Plus Combi 400	Electraflow Plus Combi 600
Operating Force	kN	3.5	3.5	3.5	3.5
Voltage	V	18	18	18	18
Battery Capacity	Ah	2.0	2.0	2.0	2.0
Battery Charge	min	35	35	35	35
Battery Type	-	Li-ion	Li-ion	Li-ion	Li-ion
Operating Temperature Range	Min (°C)	+5	+5	+5	+5
	Max (°C)	+40	+40	+40	+40
	Min (°F)	+41	+41	+41	+41
	Max (°F)	+104	+104	+104	+104
Transport/ Storage Temperature Range	Min (°C)	0	0	0	0
	Max (°C)	+40	+40	+40	+40
	Min (°F)	+32	+32	+32	+32
	Max (°F)	+104	+104	+104	+104
Relative Air Humidity (non-condensing)	Min (%)	30	30	30	30
	Max (%)	80	80	80	80
Size (Height)	mm	279	279	279	279
	inch	11.0	11.0	11.0	11.0
Size (Length)	mm	491	480	518	632
	inch	19.3	18.9	20.4	24.9
Size (Width)	mm	81	81	81	81
	inch	3.2	3.2	3.2	3.2
Weight (With Battery)	kg	2.38	1.65	2.1	2.53
	lbs	5.2	3.63	4.6	5.6
Sound Pressure	dB(A)	57	57	57	57
	dB(C)	77	77	77	77

Technical Data		Product(s)		
		Electraflow Plus Quart	Electraflow Plus Floorfix 63mm	Electraflow Plus Floorfix 90mm
Operating Force	kN	3.5	3.5	3.5
Voltage	V	18	18	18
Battery Capacity	Ah	2.0	2.0	2.0
Battery Charge Time	min	35	35	35
Battery Type	-	Li-ion	Li-ion	Li-ion
Operating Temperature Range	Min (°C)	+5	+5	+5
	Max (°C)	+40	+40	+40
	Min (°F)	+41	+41	+41
	Max (°F)	+104	+104	+104
Transport/ Storage Temperature Range	Min (°C)	0	0	0
	Max (°C)	+40	+40	+40
	Min (°F)	+32	+32	+32
	Max (°F)	+104	+104	+104
Relative Air Humidity (non-condensing)	Min (%)	30	30	30
	Max (%)	80	80	80
Size (Height)	mm	279	279	279
	inch	11.0	11.0	11.0
Size (Length)	mm	588	1098	1150
	inch	23.15	43.2	45.3
Size (Width)	mm	81	199 - 300	199 - 300
	inch	3.2	7.8 - 11.8	7.8 - 11.8
Weight (With Battery)	kg	2.65	4.3 - 4.5	4.7 - 4.9
	lbs	5.8	9.5 - 9.9	10.3 - 10.8
Sound Pressure	dB(A)	57	57	57
	dB(C)	77	77	77

EUROPE

medmix Switzerland AG

Ruetistrasse 7,
9469 Haag, Switzerland
Phone: +41 81 414 70 00
Email: sales.industry@medmix.com
Website: medmix.swiss

EC REP

medmix Deutschland GmbH

Zum Kesselort 53,
24149 Kiel, Germany

USA, SOUTH AMERICA, CANADA AND MEXICO

medmix US Inc.

8 Willow St,
Salem, NH 03079, USA
Phone: +1 603 893 2727
Email: sales.industry@medmix.com
Website: medmix.swiss

UK AND IRELAND

medmix UK Ltd

2 Tealgate, Charnham Park, Hungerford
Berkshire, RG17 0YT, United Kingdom
Phone: +44 (0)1488 647 800
Email: cox-mkorders@medmix.com
Website: coxdispensers.com

ASIA PACIFIC

medmix China Ltd

68 Bei Dou Lu,
Minhang District,
Shanghai 200245, P.R. China
Phone: +86 (21)6430 6868
Email: sales.industry@medmix.com
Website: medmix.swiss

Legal Notice: The information contained in this publication is believed to be accurate and reliable but is not to be construed as implying any warranty or guarantee of performance. We waive any liability and indemnity for effects resulting from its application. All information herein is subject to change without notice.