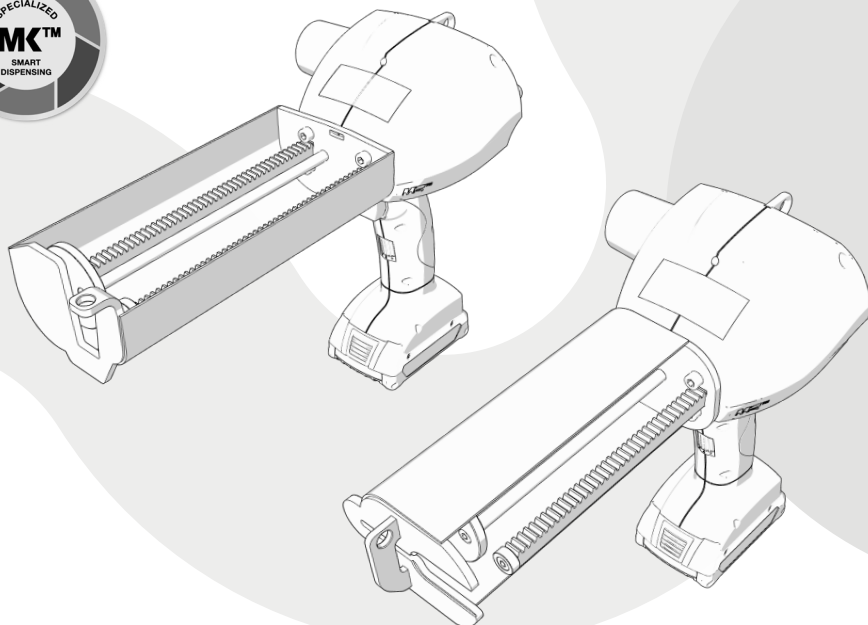


# MK™ B9XX MATERIAL DISPENSERS



EN	USER HANDBOOK	AT	BENUTZERHANDBUCH	BG	РЪКОВОДСТВО НА ПОТРЕБИТЕЛЯ
CZ	UŽIVATELSKÁ PŘÍRUČKA	DE	GEBRAUCHSANWEISUNG	DK	BRUGERVEJLEDNING
EE	KASUTUSJUHEND	ES	MANUAL DE USUARIO	FI	KÄYTTÖOPAS
FR	MODE D'EMPLOI	GR	ΕΓΧΕΙΡΙΔΙΟ ΧΡΗΣΗΣ	HR	KORISNIČKI PRIRUČNIK
HU	FELHASZNÁLÓI KÉZIKÖNYV	IT	GUIDA UTENTE	JA	ユーザーマニュアル
LT	NAUDOTOJO VADOVAS	LV	LIETOTĀJA ROKASGRĀMATA	NL	GEBRUIKSAANWIJZING
NO	BRUKERHÅNDBOK	PO	INSTRUKCJA OBSŁUGI	PT	MANUAL DO USUÁRIO
RO	MANUALUL UTILIZATORULUI	SE	BRUKSANVISNING	SI	NAVODILA ZA UPORABO
SK	UŽIVATELSKÁ PŘÍRUČKA	TR	KULLANIM KILAVUZU	ZH	用戶手冊

# Legend

Clean with cloth



Hand crush



Read handbook



Wear safety goggles



Wear safety gloves



Disposal



Warning



Off



On



Decrease flow



Increase flow



Listen



Noise



Anti drip



Empty



Full



Nearly empty



Use screwdriver



Use snips



Use pliers



Push



Drag



Not OK



OK



Lock



No lock



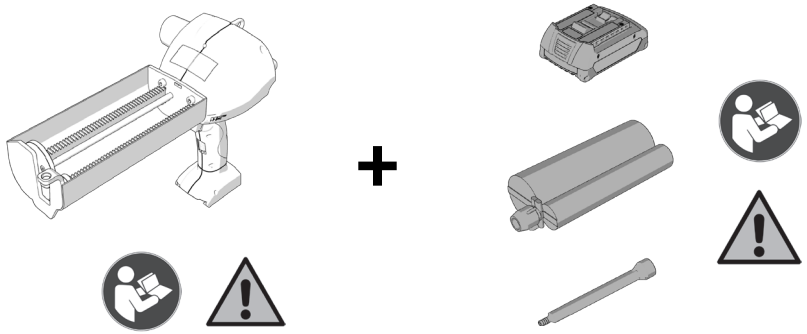
Battery charge



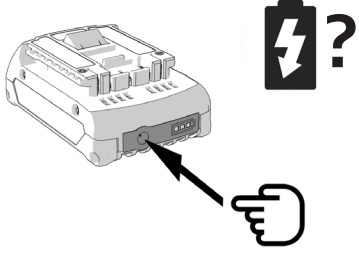
Light



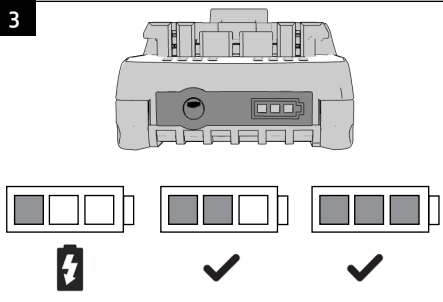
1



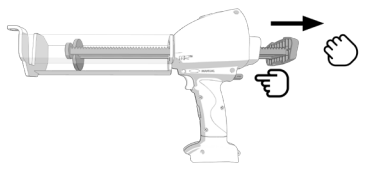
2



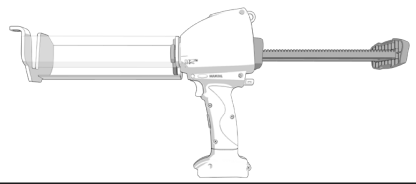
3



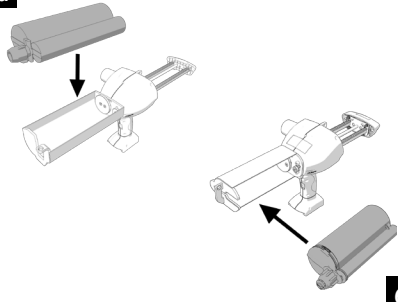
4



5

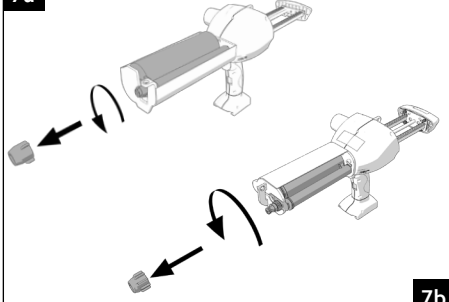


6a

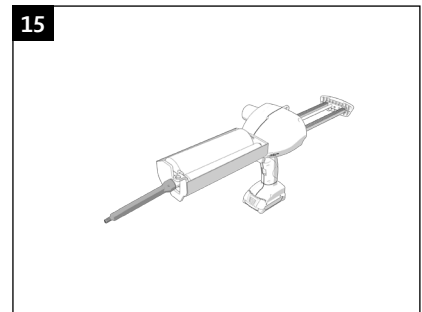
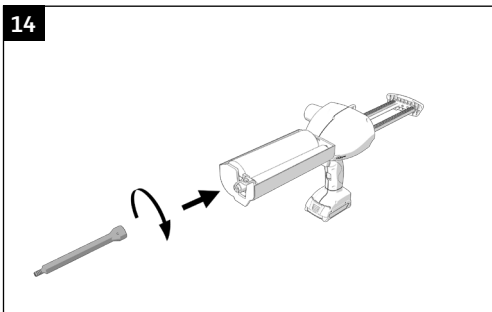
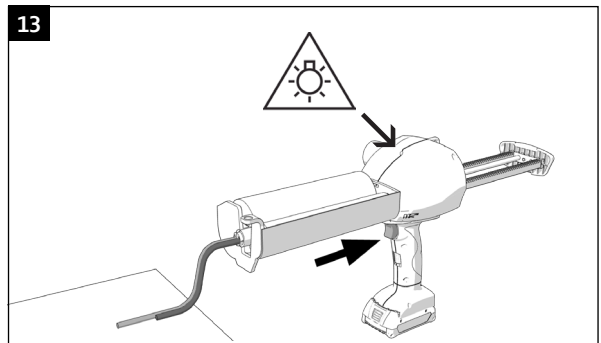
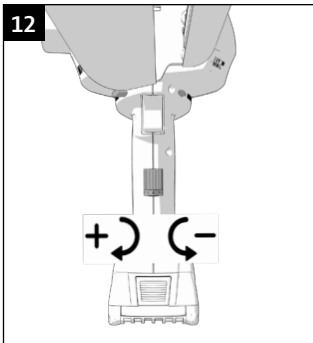
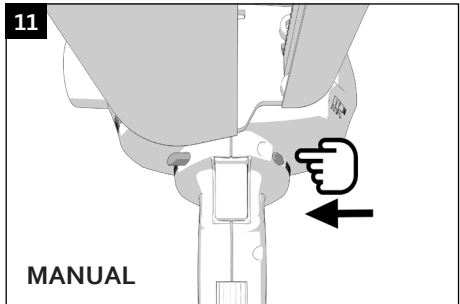
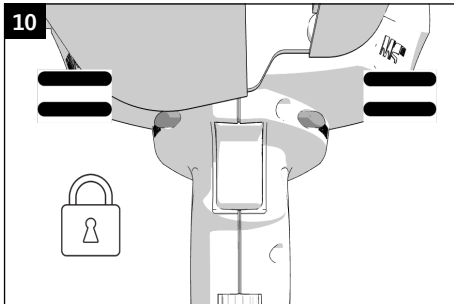
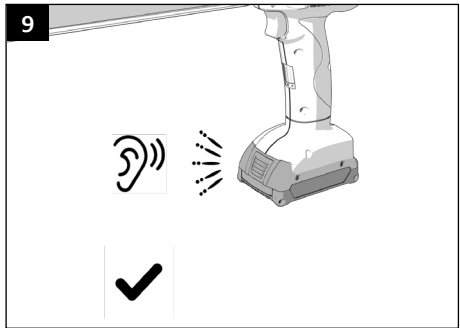
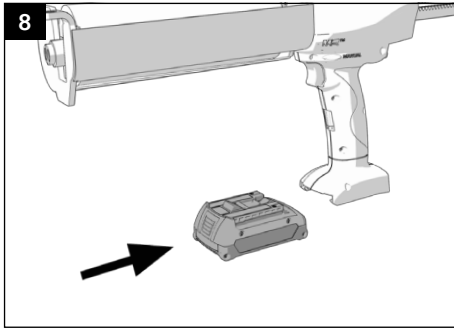


6b

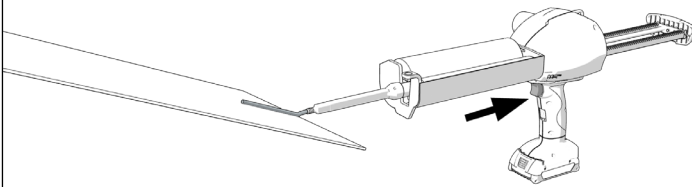
7a



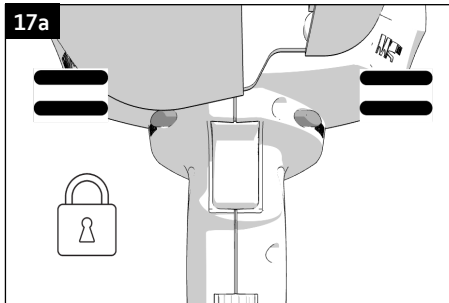
7b



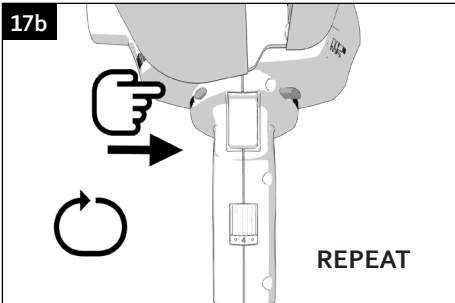
16



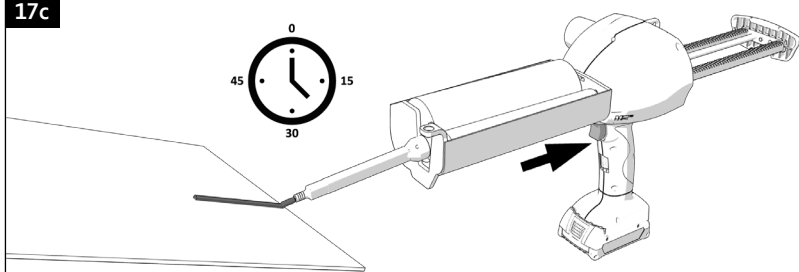
17a



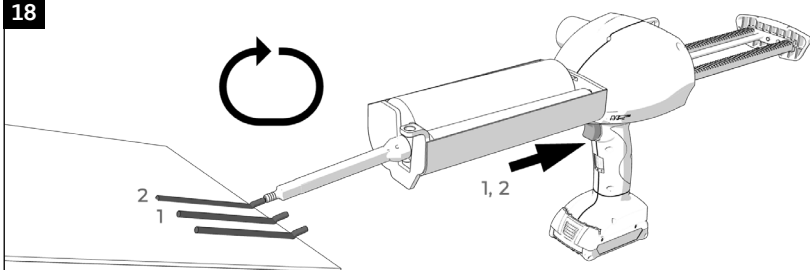
17b

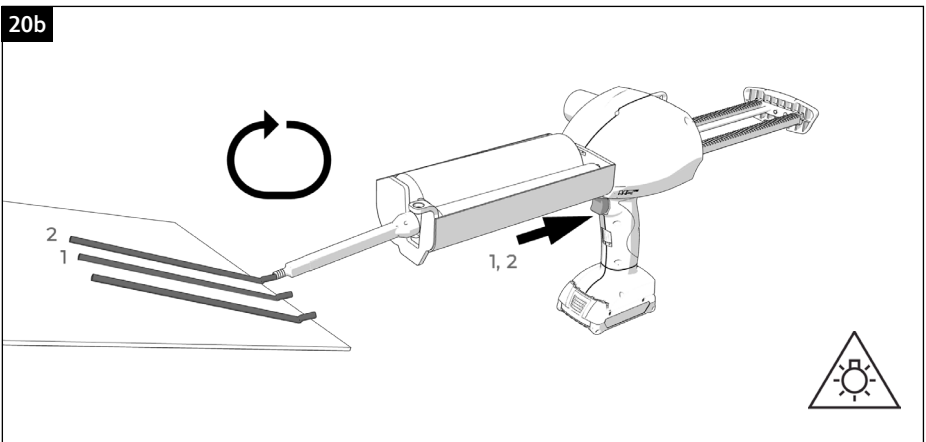
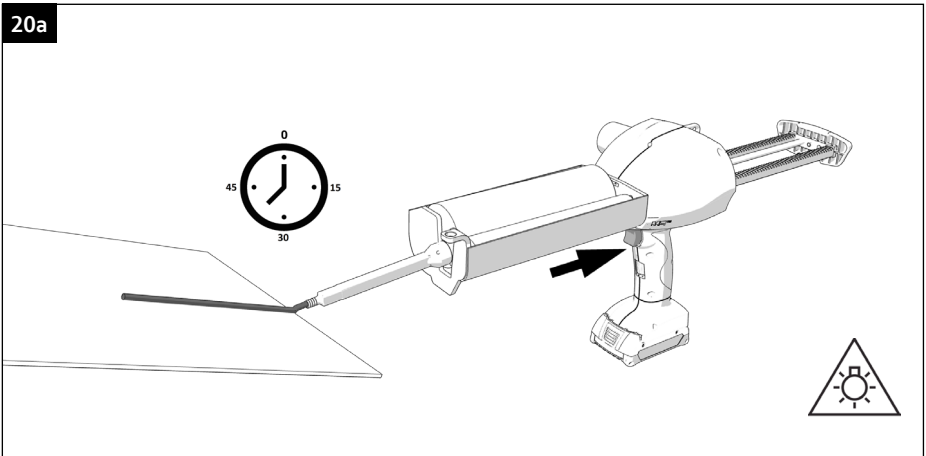
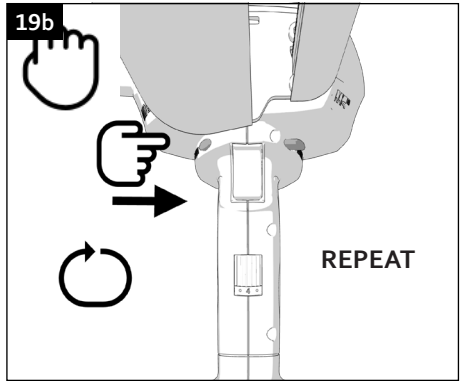
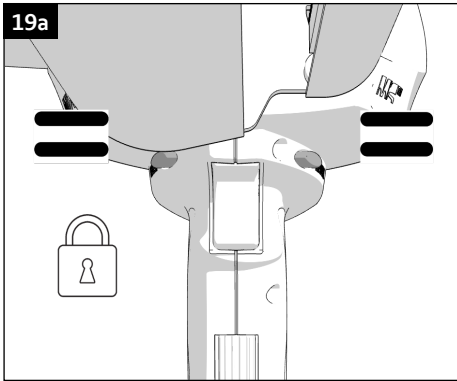


17c

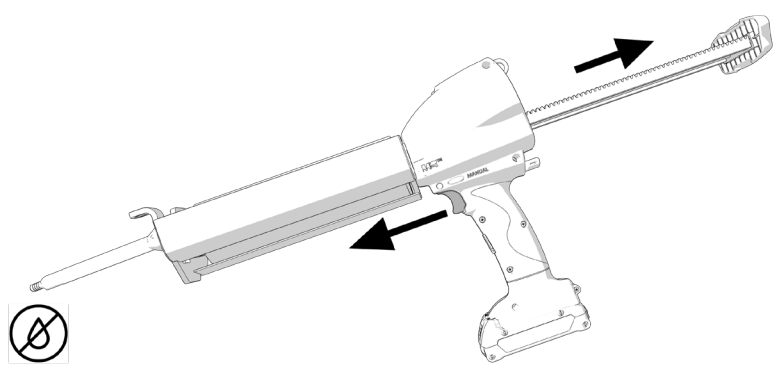


18

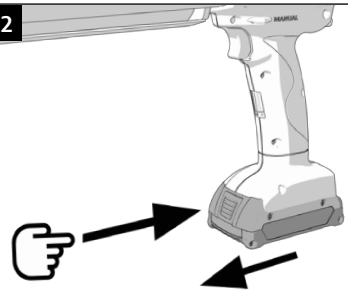




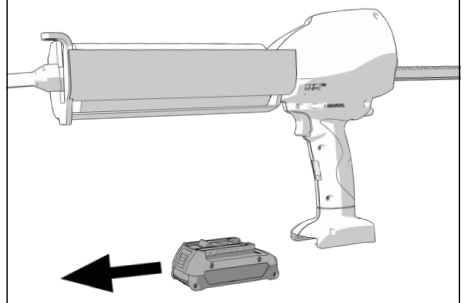
21



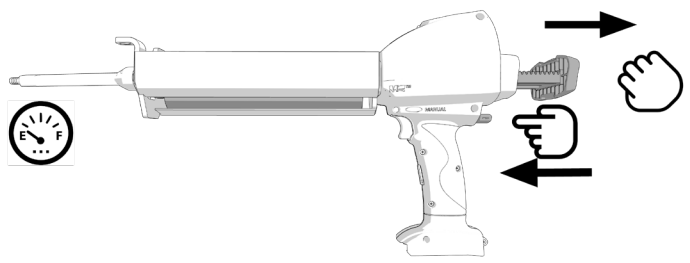
22



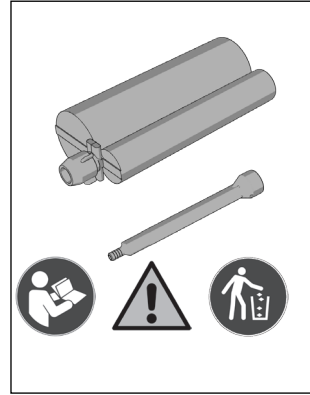
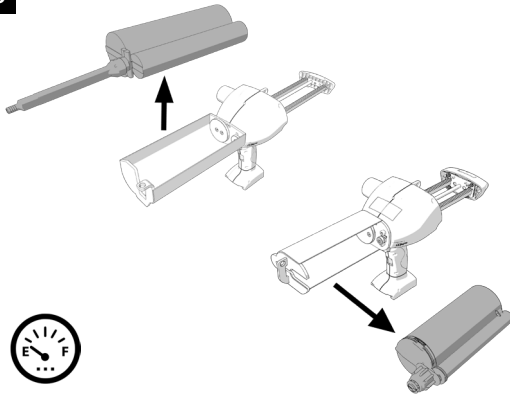
23



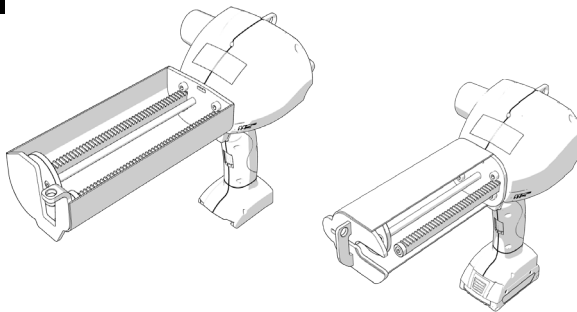
24



25



26







Technical Data		Product(s)				
		B948 M	B983 M	B983 M-2:1	B938 M	B978 M
Operating Force	kN	4	5	5	5	5
Voltage	V	18	18	18	18	18
Battery Capacity	Ah	2.0	2.0	2.0	2.0	2.0
Battery Charge	min	65	65	35	35	35
Battery Type	-	Li-ion	Li-ion	Li-ion	Li-ion	Li-ion
Operating Temperature Range	Min (°C)	+5	+5	+5	+5	+5
	Max (°C)	+40	+40	+40	+40	+40
	Min (°F)	+41	+41	+41	+41	+41
	Max (°F)	+104	+104	+104	+104	+104
Transport/ Storage Temperature Range	Min (°C)	0	0	0	0	0
	Max (°C)	+40	+40	+40	+40	+40
	Min (°F)	+32	+32	+32	+32	+32
	Max (°F)	+104	+104	+104	+104	+104
Relative Air Humidity (non-condensing)	Min (%)	30	30	30	30	30
	Max (%)	80	80	80	80	80
Size (Height)	mm	287	287	287	287	287
	inch	11.3	11.3	11.3	11.3	11.3
Size (Length)	mm	379	379	379	379	379
	inch	15.0	15.0	15.0	15.0	15.0
Size (Width)	mm	178	178	178	178	178
	inch	7.0	7.0	7.0	7.0	7.0
Weight (With Battery)	kg	3.5	3.5	3.5	3.5	3.5
	lbs	7.7	7.7	7.7	7.7	7.7
Sound Pressure	dB(A)	66.8	66.8	66.8	66.8	66.8
	dB(C)	86.6	86.6	86.6	86.6	86.6
Vibration	m/s <sup>2</sup>	0.359	0.359	0.359	0.359	0.359

Technical Data		Product(s)				
		B944 K	B960 M	B985 M	B959 M	B988 M
Operating Force	kN	5	5	2.75	4.45	4.73
Voltage	V	18	18	18	18	18
Battery Capacity	Ah	2.0	2.0	2.0	2.0	2.0
Battery Charge	min	65	65	65	65	65
Battery Type	-	Li-ion	Li-ion	Li-ion	Li-ion	Li-ion
Operating Temperature Range	Min (°C)	+5	+5	+5	+5	+5
	Max (°C)	+40	+40	+40	+40	+40
	Min (°F)	+41	+41	+41	+41	+41
	Max (°F)	+104	+104	+104	+104	+104
Transport/ Storage Temperature Range	Min (°C)	0	0	0	0	0
	Max (°C)	+40	+40	+40	+40	+40
	Min (°F)	+32	+32	+32	+32	+32
	Max (°F)	+104	+104	+104	+104	+104
Relative Air Humidity (non-condensing)	Min (%)	30	30	30	30	30
	Max (%)	80	80	80	80	80
Size (Height)	mm	287	287	287	287	287
	inch	11.3	11.3	11.3	11.3	11.5
Size (Length)	mm	444	391	383	408	413
	inch	17.5	15.4	15.1	16.1	16.3
Size (Width)	mm	178	178	178	178	178
	inch	7.0	7.0	7.0	7.0	7.0
Weight (With Battery)	kg	3.5	3.4	3.3	3.5	3.6
	lbs	7.7	7.4	7.3	7.7	7.9
Sound Pressure	dB(A)	62.8	62.8	62.8	62.8	62.8
	dB(C)	86.3	86.3	86.3	86.3	86.3
Vibration	m/s <sup>2</sup>	0.359	0.359	0.359	0.359	0.359

Technical Data		Product(s)			
		B996 M	B998 M	B939 M	B999 M
Operating Force	kN	5	5	5	5
Voltage	V	18	18	18	18
Battery Capacity	Ah	2.0	2.0	2.0	2.0
Battery Charge	min	65	65	65	65
Battery Type	-	Li-ion	Li-ion	Li-ion	Li-ion
Operating Temperature Range	Min (°C)	+5	+5	+5	+5
	Max (°C)	+40	+40	+40	+40
	Min (°F)	+41	+41	+41	+41
	Max (°F)	+104	+104	+104	+104
Transport/ Storage Temperature Range	Min (°C)	0	0	0	0
	Max (°C)	+40	+40	+40	+40
	Min (°F)	+32	+32	+32	+32
	Max (°F)	+104	+104	+104	+104
Relative Air Humidity (non-condensing)	Min (%)	30	30	30	30
	Max (%)	80	80	80	80
Size (Height)	mm	287	287	287	287
	inch	11.3	11.3	11.3	11.3
Size (Length)	mm	416	411	416	412
	inch	16.4	16.2	16.4	16.2
Size (Width)	mm	178	178	178	183
	inch	7.0	7.0	7.0	7.2
Weight (With Battery)	kg	3.7	3.7	3.5	4.2
	lbs	8.1	8.1	7.7	7.9
Sound Pressure	dB(A)	62.8	62.8	62.8	62.8
	dB(C)	86.3	86.3	86.3	86.3
Vibration	m/s <sup>2</sup>	0.359	0.359	0.359	0.359

## EUROPE

### medmix Switzerland AG

Ruetistrasse 7,  
9469 Haag, Switzerland  
Phone: +41 81 414 70 00  
Email: sales.industry@medmix.com  
Website: medmix.swiss

EC REP

### medmix Deutschland GmbH

Zum Kesselort 53,  
24149 Kiel, Germany

## USA, SOUTH AMERICA, CANADA AND MEXICO

### medmix US Inc.

8 Willow St,  
Salem, NH 03079, USA  
Phone: +1 603 893 2727  
Email: sales.industry@medmix.com  
Website: medmix.swiss

## UK AND IRELAND

### medmix UK Ltd

2 Tealgate, Charnham Park, Hungerford  
Berkshire, RG17 0YT, United Kingdom  
Phone: +44 (0)1488 647 800  
Email: cox-mkorders@medmix.com  
Website: coxdispensers.com

## ASIA PACIFIC

### medmix China Ltd

68 Bei Dou Lu,  
Minhang District,  
Shanghai 200245, P.R. China  
Phone: +86 (21)6430 6868  
Email: sales.industry@medmix.com  
Website: medmix.swiss

Legal Notice: The information contained in this publication is believed to be accurate and reliable but is not to be construed as implying any warranty or guarantee of performance. We waive any liability and indemnity for effects resulting from its application. All information herein is subject to change without notice.

© 2026 medmix All rights reserved.

